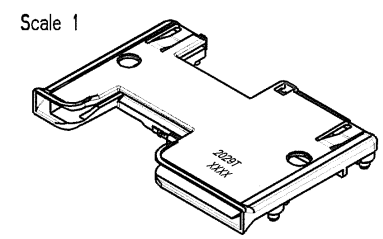
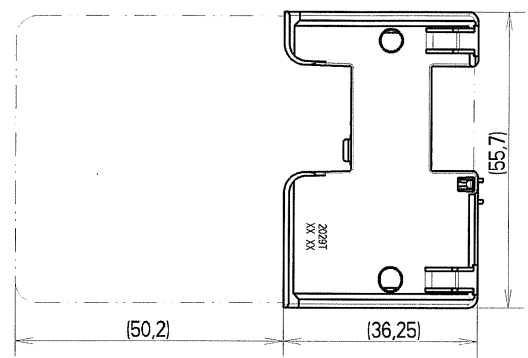
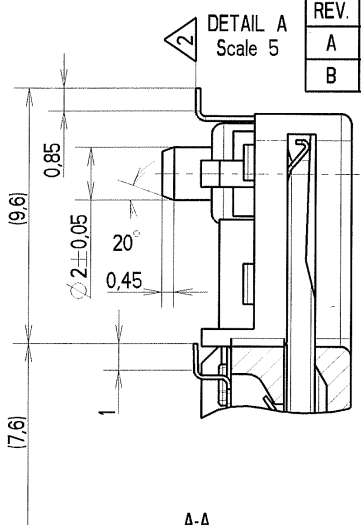
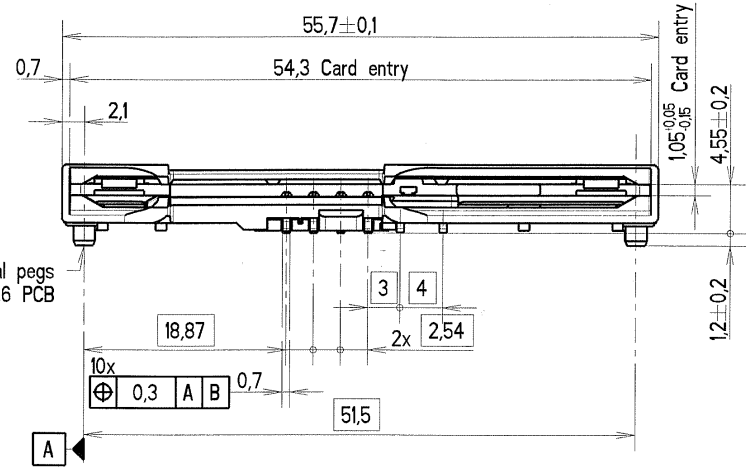


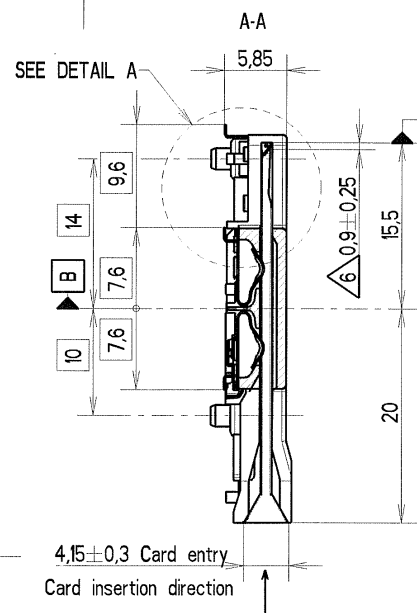
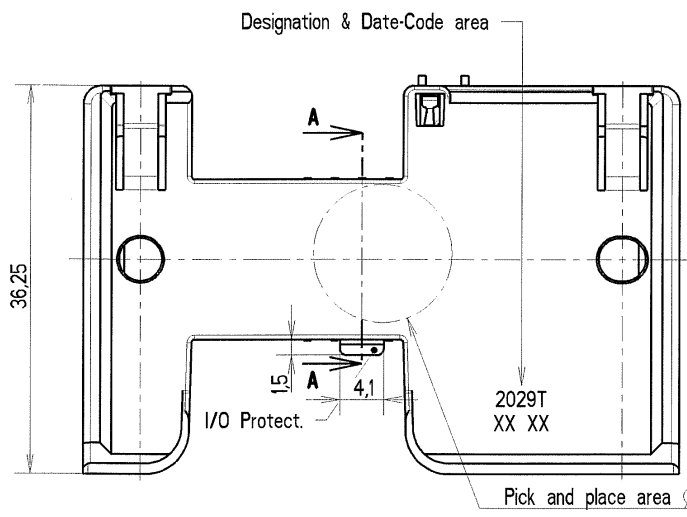
REV.	N° DCR	NATURE DE LA MODIFICATION	DATE	VISA
A	ECR-1410	Marking suppressed	03/10/2007	V.P
B	ECR-3949	Metal pegs added	04/06/2009	J.M



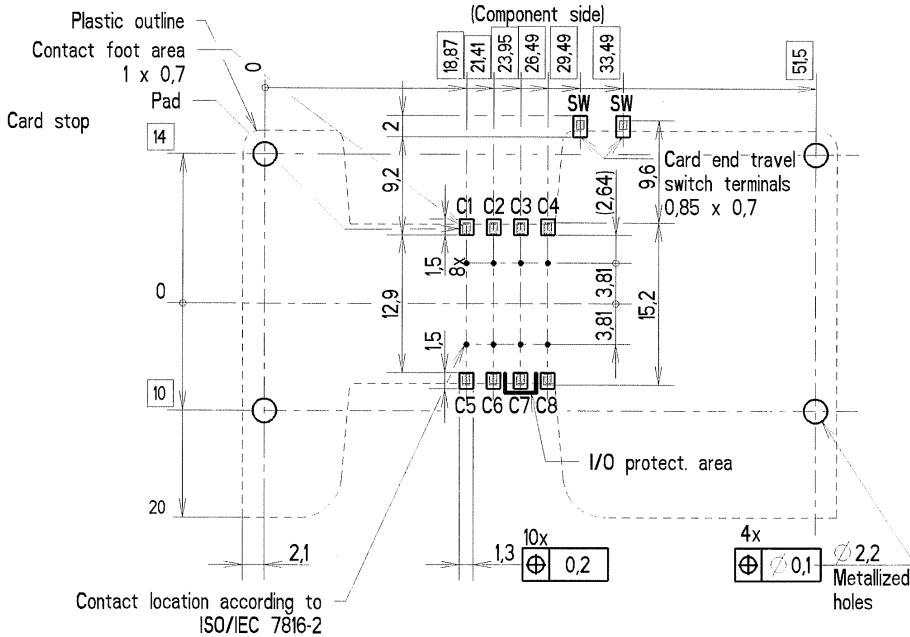
1

2

3



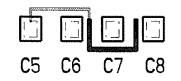
RECOMMENDED PC BOARD LAYOUT (Component side)



SYSTEM CONFIDENTIAL

- Notes :
- 1 - Termination to PCB : SMT reflow soldering Temperature/time profile according to : C&K PS-LF-001 specification. Since there are no boardlocks , the connector must be held in place on the PCB across the top face of the cover.
 - 2 - Level of each contact tail compared to the nearest plastic stand-off. Coplanarity of metal soldering surfaces : 0,15 mm
 - 3 - Recommendation for solder paste thickness > 0,2 mm.
 - 4 - 2,5 microns min tin plating on contact terminal areas. 0,1 microns min gold plating on switch terminal areas.

- 5 - Contact forces :
 - max 0,5 N per contact with max. card thickness.
 - min 0,2 N per contact with min. card thickness.
- 6 - Card end travel switch NO activates when the sliding card is 0,9 mm from the card stop.
- 7 - For packaging on tray, see document : cu 030278Y0043
- 8 - In case of customer accessories integration requesting an interface with CCM, please ask C&K for a 3D model.
- 9 - Electrical diagram for I/O protect :



MATIERE	TRAITEMENT	PROTECTION
SAUF INDIQUE : -COTES DONNEES AVANT PROTECTION -BAVURES ET ARETES VIVES SUPPRIMEES	TOL. LINEAIRE ± 0,1 TOL. ANGULAIRE ± 2 ETAT DE SURFACE Ra	DIMENSIONS CRITIQUES DIMENSIONS SPC LANGAGE E
DESSINE PAILLE V. DATE 08/01/2007	ANALYSE Y TAB. FAM. Y PRO/E Y	
VERIFIE PINON G. DATE 05/06/2009	REPLACE	
APPROUVE KUBAT L. DATE 05/06/2009		
 C&K Components BP 359 - 39105 Dole - FRANCE -	PROJECTION 1-ER DIEDRE ECHELLE 2	DESIGNATION CCM01-2029LFT 2x4 contacts SMT + switch NO 4 metal pegs + I/O protect
	TAILLE FEUILLE A3 1 / 1	NUMERO REV CU 030288Y2029 B

CE PLAN EST LA PROPRIETE DE C&K. COMPOSANTS SAS ET NE PEUT ETRE REPRODUIT OU COMMUNIQUE SANS SON AUTORISATION