

4

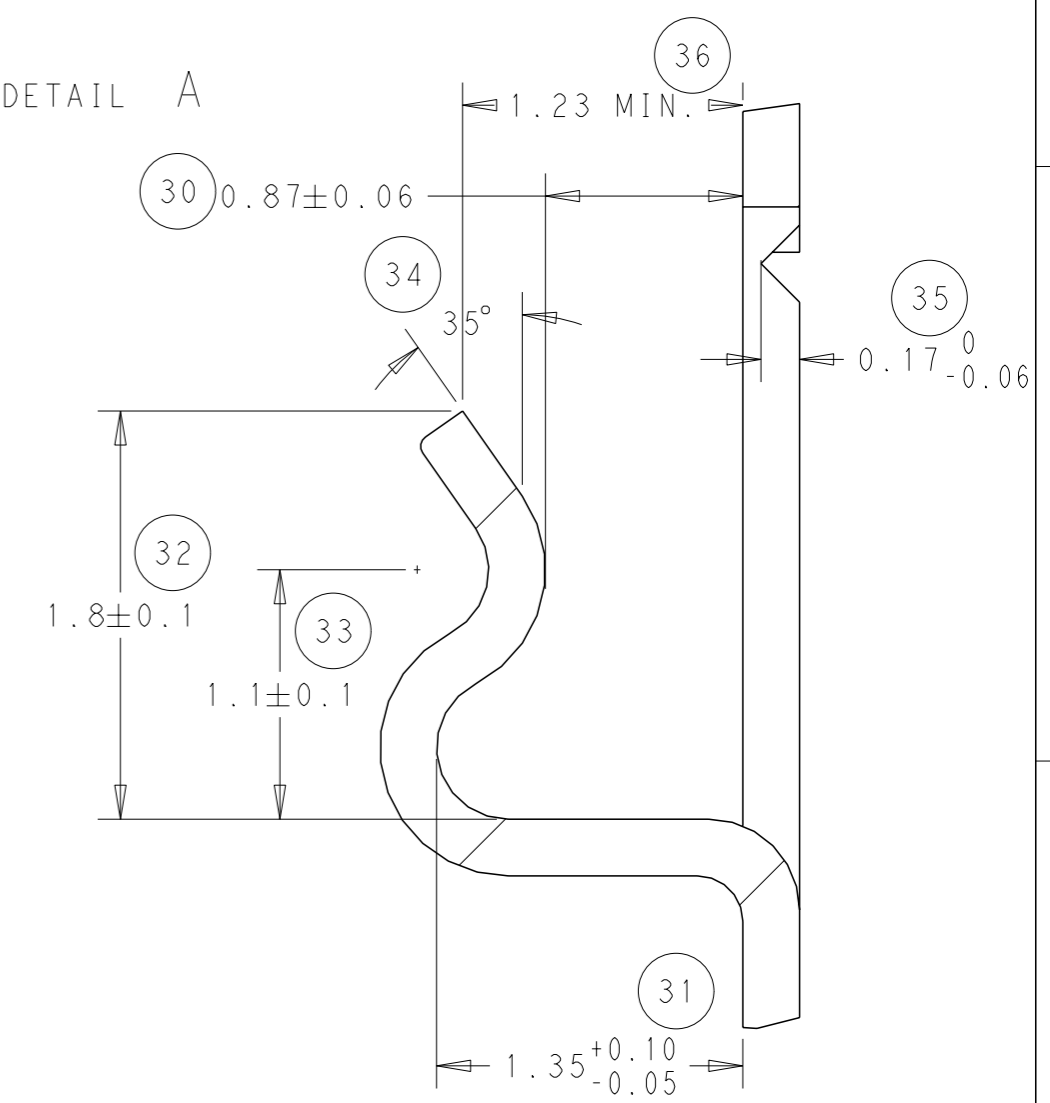
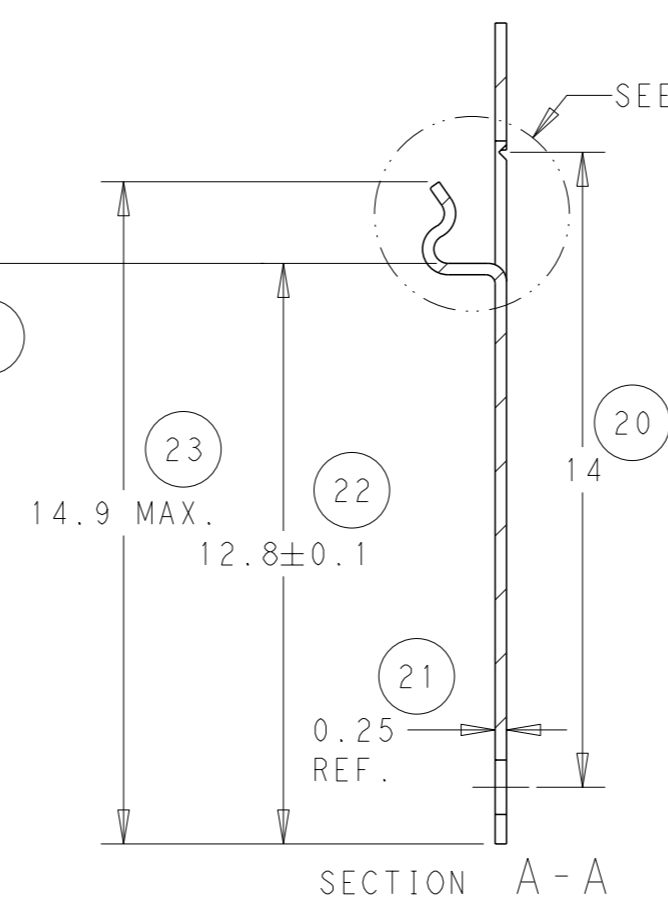
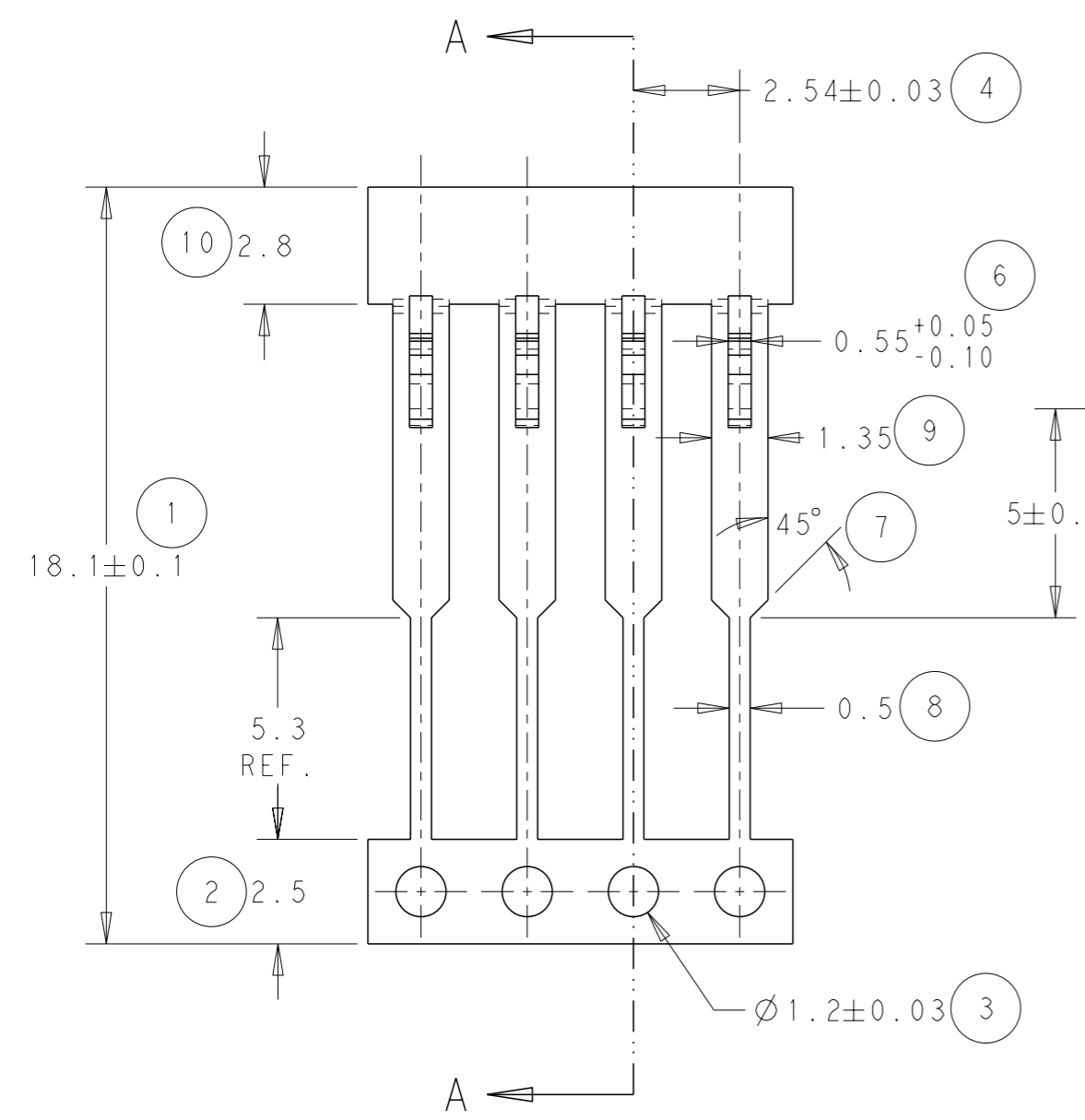
3

2

1

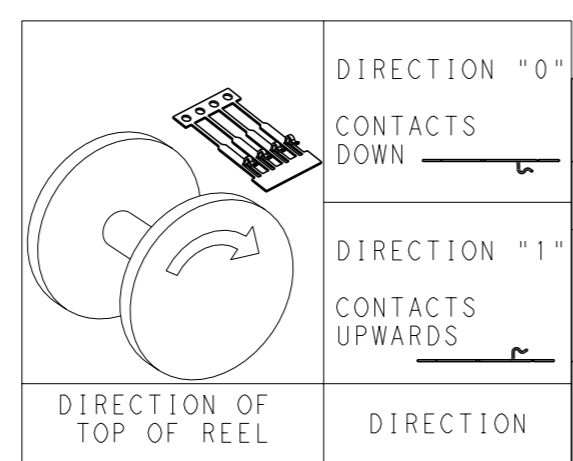
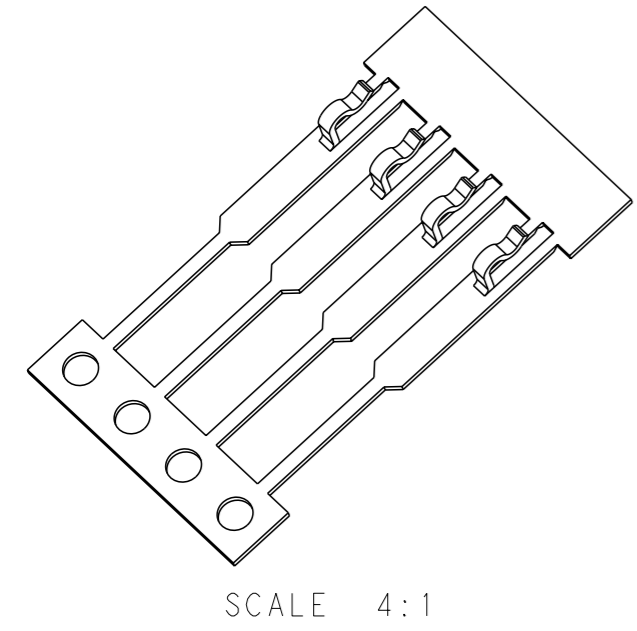
THIS DRAWING IS UNPUBLISHED. RELEASED FOR PUBLICATION 2011
 © COPYRIGHT 2011 TE CONNECTIVITY ALL RIGHTS RESERVED.

LOC	DIST	REVISIONS				
P	LTR	DESCRIPTION	DATE	DWN	APVD	
B	-	E	ECR-11-017591	24/08/11	JB	MG
		F	ECR-11-018539	12/09/11	JB	MG



DETAIL A
SCALE 30:1

NOTE
 BOWING: AFTER UPPER TIE BAR REMOVAL - 1.5mm MAX. FOR 500mm
 PITCH: AFTER UPPER TIE BAR REMOVAL - 2.54±0.127



THIS DRAWING IS A CONTROLLED DOCUMENT.

DIMENSIONS:	TOLERANCES UNLESS OTHERWISE SPECIFIED:
mm	0 PLC ±-
	1 PLC ±-
	2 PLC ±0.05
	3 PLC ±-
	4 PLC ±-
	ANGLES ±0.5
MATERIAL	FINISH -
SEE ABOVE	

0	Ni & Sn	1544246-1
REELING	FINISH	PART NUMBER
DWN J. BRIGHT 24/08/11	TE Connectivity NAME SIL CONTACT - - SIZE A3 CAGE CODE 00779 DRAWING NO C-1544246 RESTRICTED TO - WEIGHT - CUSTOMER DRAWING SCALE NTS SHEET 1 OF 1 REV F	
CHK M. GREENER 24/08/11		
APVD D. PENNINGTON 24/08/11		
PRODUCT SPEC		
APPLICATION SPEC		