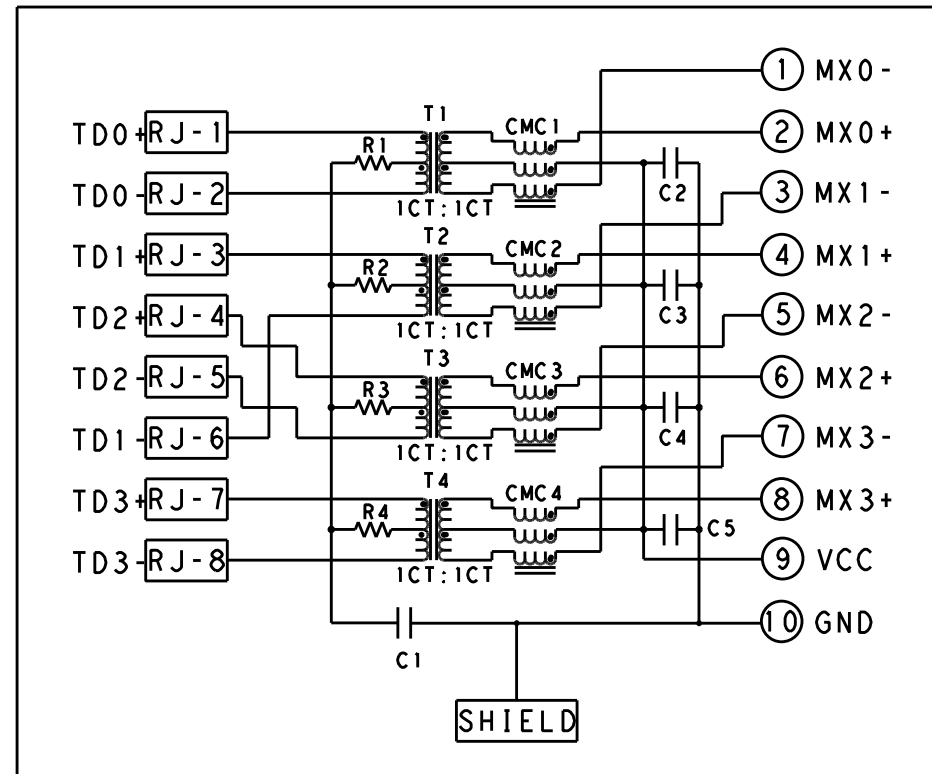


S8G16 GIGABIT CIRCUIT ▲▲

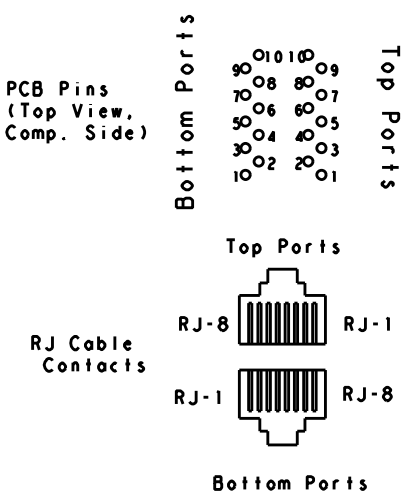
Top and Bottom Ports



C1 = 1000 pF, 2kV
 C2-C5 = 470pF, 10%, 50V
 R1-R4 = 75 Ohm, 1/16W

Pin Designations

(Repeat for each vertical pair of ports.)



- ▲ MATERIALS:**
- HOUSING: THERMOPLASTIC, BLACK, FLAMMABILITY RATING UL 94V-0.
 - SHIELD: BRASS, PREPLATED WITH 0.76um MIN SEMI-BRIGHT NICKEL, POST DIPPED WITH 2.54um MIN SAC SOLDER ON SOLDER TAILS.
 - CONTACTS: PHOSPHOR BRONZE, PLATED WITH 1.27um MIN OVERALL NICKEL UNDERPLATE, SELECTIVE 1.27um MIN GOLD AT MATING INTERFACE AND 2.54um MIN MATTE TIN ON SOLDER TAILS.
 - LED: DIFFUSED EPOXY LENS, CARBON STEEL LEAD FRAME LEADS, PREPLATED WITH 2.03um MIN SILVER OVER 1.02um MIN NICKEL OVER 1.02um MIN COPPER UNDERPLATE, POST PLATED WITH 2.54um MIN MATTE TIN AND/OR 2.54um MIN SAC SOLDER DIP OR PURE TIN SOLDER DIP.
- ▲ MAGNETICS:**
- APPLICATION: 10/100/1000 BASE-T
 - IMPEDANCE: 100ohms
 - TURNS RATIO (CHIP:CABLE): 1:1 ALL FOUR PAIRS
 - OPEN CIRCUIT INDUCTANCE (OCL): 350uH MIN @100kHz, 0.1VRMS, 8mA DC BIAS FROM 0°C TO 70°C, ALL FOUR PAIRS
 - ALL FOUR PAIRS BI-DIRECTIONAL
 - PERFORMANCE @25°C:
 - INSERTION LOSS (IL): 1.1dB MAX FROM 0.5MHz TO 100MHz
 - RETURN LOSS (RL): 18dB MIN FROM 0.5MHz TO 40MHz
 - 12-20LOG(f/80)dB MIN FROM 40.1MHz TO 100MHz
 - CROSSTALK ATTENUATION: 35dB MIN FROM 0.5MHz TO 40MHz
 - 33-20LOG(f/50)dB MIN FROM 40.1MHz TO 100MHz
 - COMMON MODE REJECTION RATIO (CMRR): 30dB MIN FROM 0.5MHz TO 100MHz
 - DIELECTRIC (ISOLATION VOLTAGE): 2250 VDC(MAX) FOR 60 SECS WITH RISE TIME OF 500V/SEC AND WITH ALL PORTS CONNECTED.

▲ PART NUMBER, DATE CODE AND COUNTRY OF ORIGIN ARE LOCATED IN THE APPROXIMATE AREA SHOWN. DATE CODE: YYWW WHERE YY IS YEAR, WW IS WORK WEEK. D IS DAY OF WEEK, WITH SUNDAY=1.

▲ TRP LOGO AND AGENCY APPROVAL LOGO ARE LOCATED IN THE APPROXIMATE AREA SHOWN.

▲ RJ45 CAVITIES CONFORM TO FCC RULES AND REGULATIONS PART 68 SUBPART F.

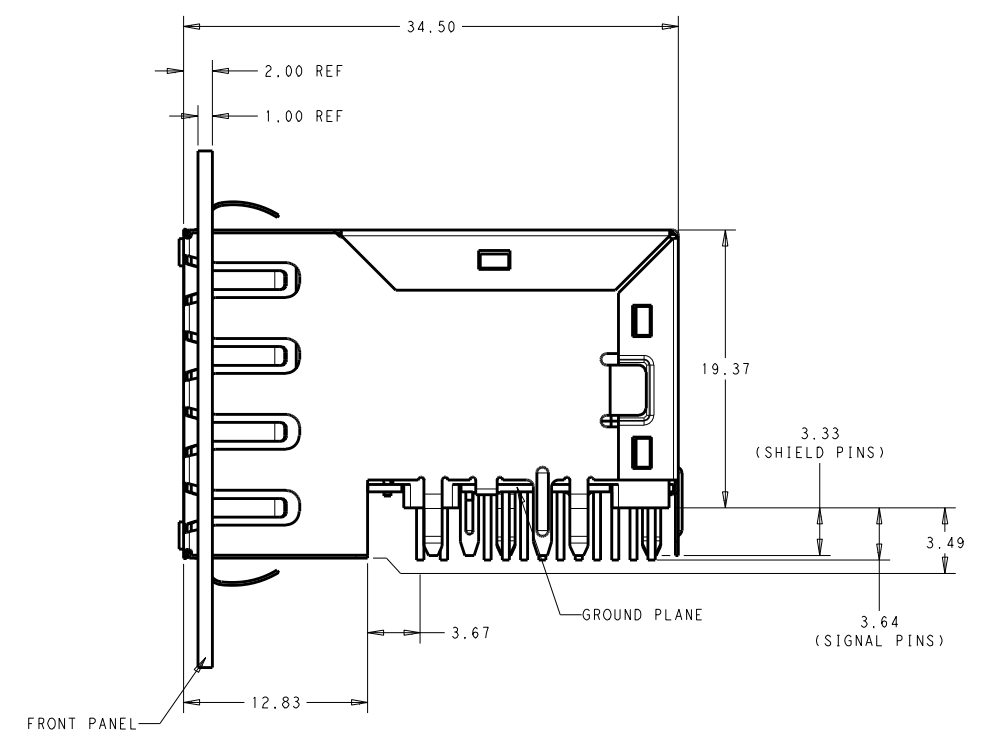
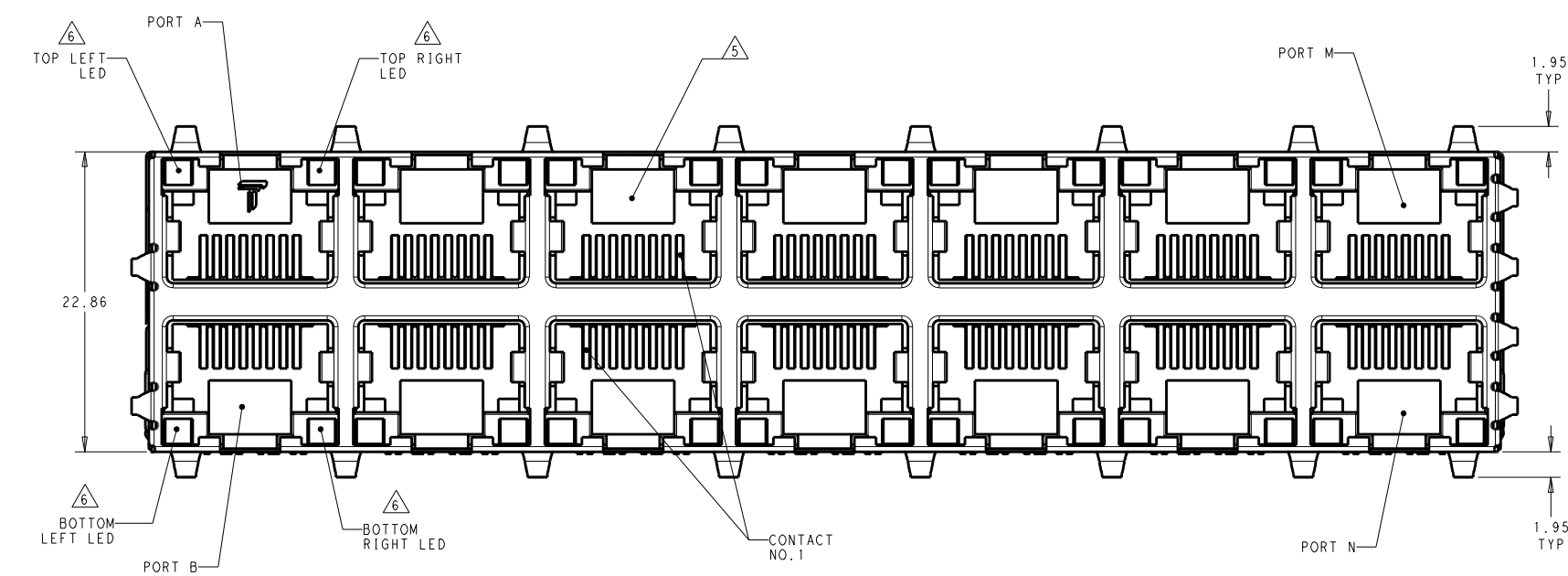
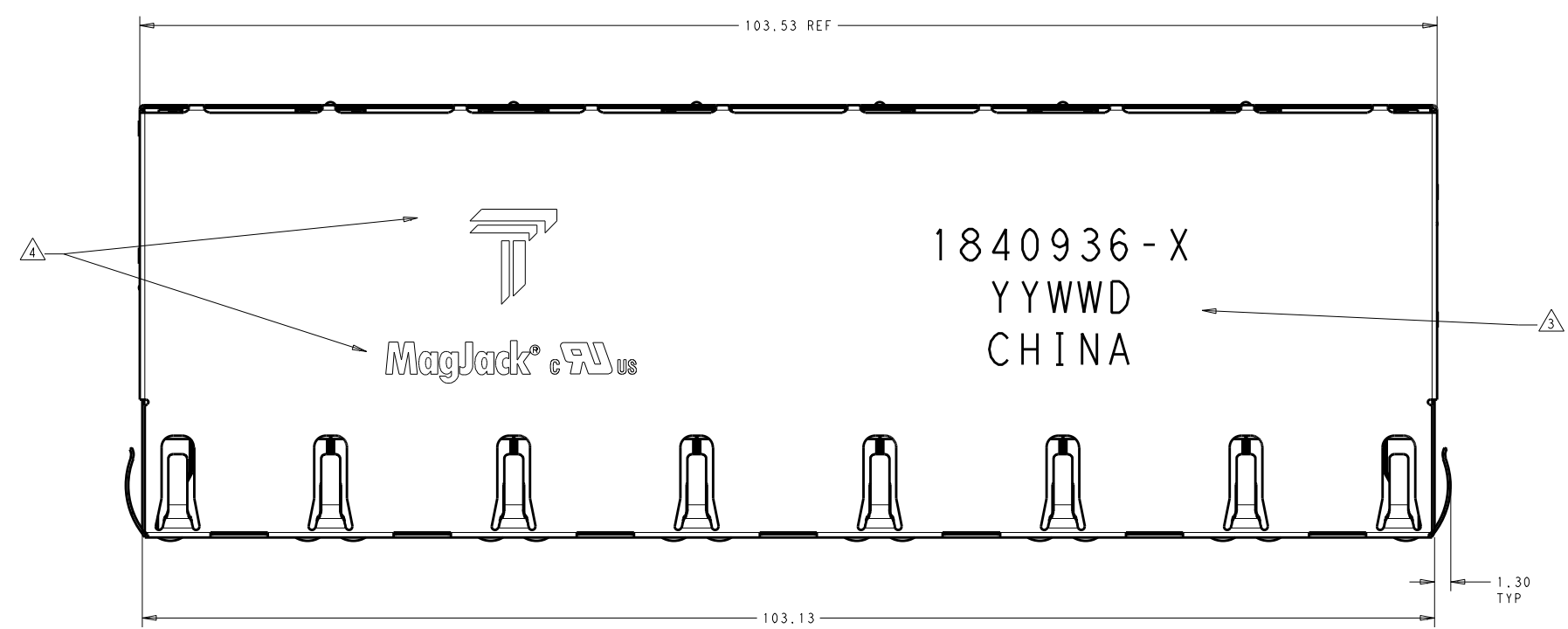
▲ LED IS DRIVEN WITH CONSTANT CURRENT AT APPROX 20mA
 LED COLOR: DOMINANT WAVELENGTH (λD):
 GREEN 568 nm TYP at IF=20mA
 FORWARD VOLTAGE (VF):
 GREEN 2.2V TYP at IF=20mA

▲ INDICATED MAGNETIC CONNECTIONS ARE SYMMETRICAL AND SUPPORT AUTO-MDI/MDIX.

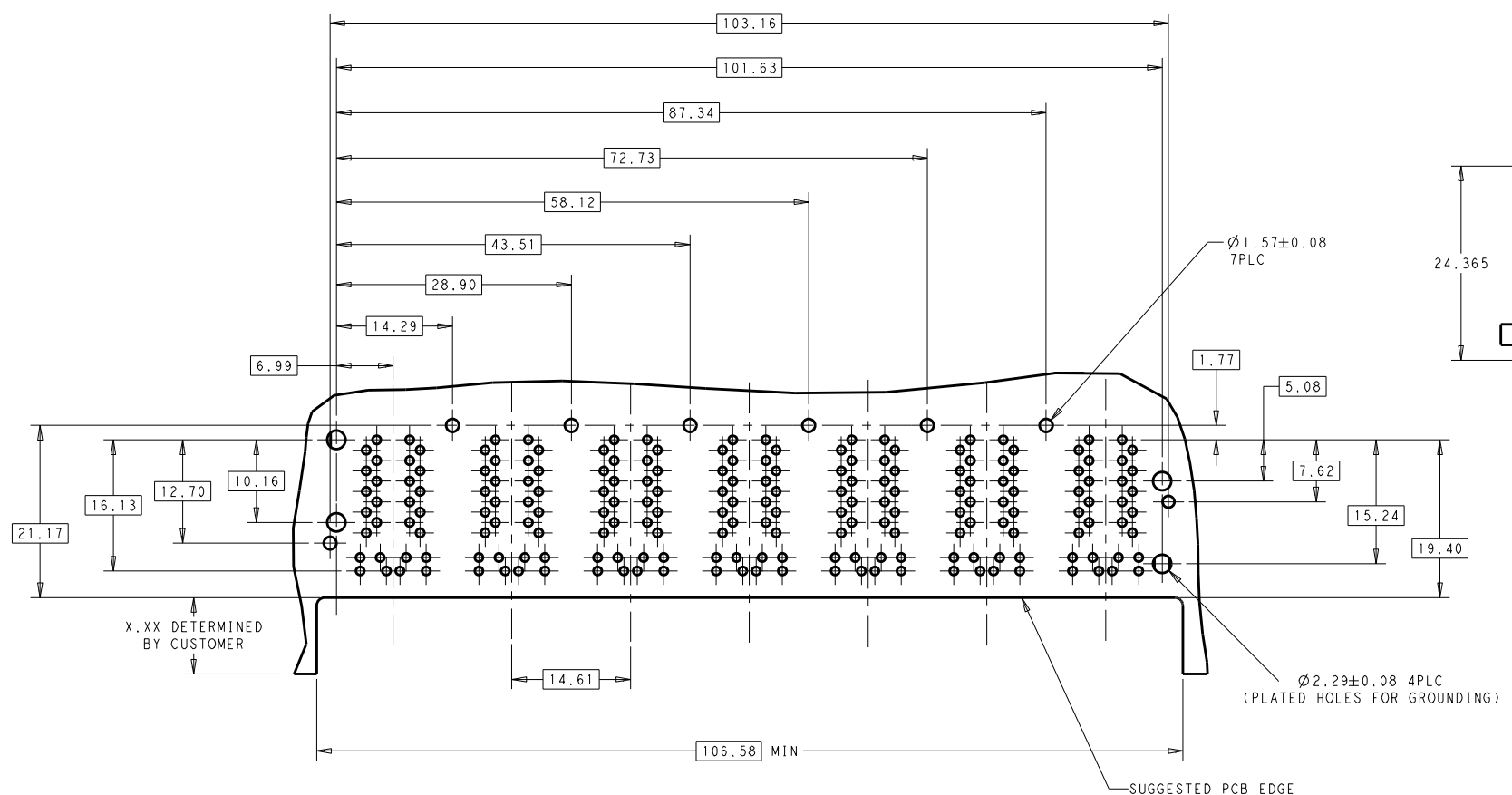
8 OPERATING TEMPERATURE: FROM 0°C TO 70°C

9 THE PARTS ARE RECOMMENDED FOR WAVE SOLDERING PROCESS, PEAK TEMPERATURE 260 °C MAX. 10 SECONDS MAX. IT IS RECOMMENDED THAT THE CONNECTOR SHIELD AND BODY BE MASKED TO PROTECT IT FROM DIRECT EXPOSURE TO THE SOLDER WAVE TO AVOID DAMAGE TO THE CONNECTOR AND LED.

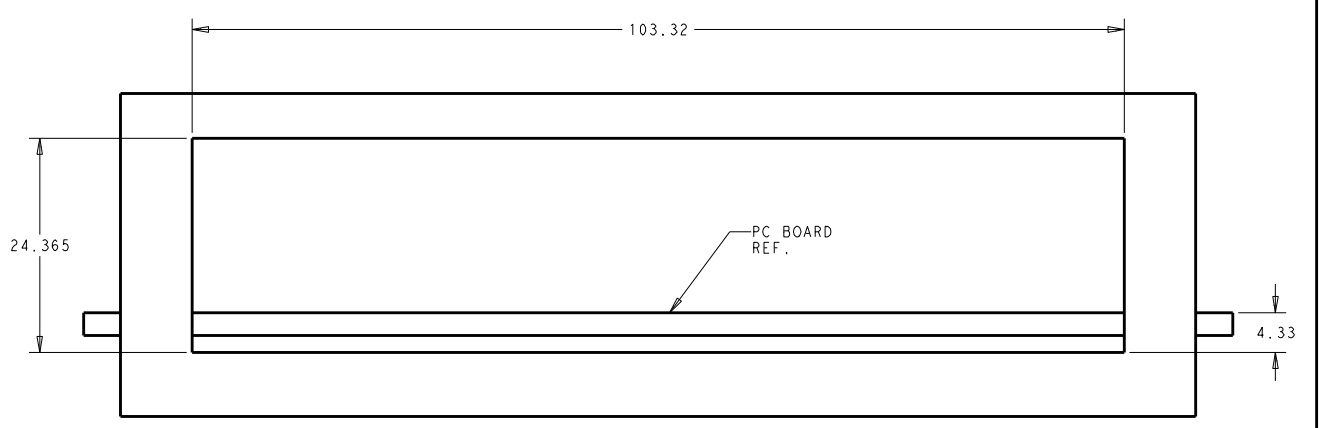
GREEN BOTTOM LED 2 (LEFT)	GREEN BOTTOM LED 1 (RIGHT)	GREEN TOP LED 2 (LEFT)	GREEN TOP LED 1 (RIGHT)	1840936-1 PART NUMBER
THIS DRAWING IS A CONTROLLED DOCUMENT.				
DIMENSIONS: mm 		TOLERANCES UNLESS OTHERWISE SPECIFIED: 0 PLC ± 1 PLC ± 2 PLC ±0.25 3 PLC ± 4 PLC ± ANGLES °		
PRODUCT SPEC 108-104004		APPLICATION SPEC -		
MODEL NAME MAGJACK STACK NON-POE		DESC 2X7 S8G16 GIGABIT OFFSET W/ LED		
CUSTOMER DRAWING		SCALE NTS SHEET 1 OF 4 REV 6		



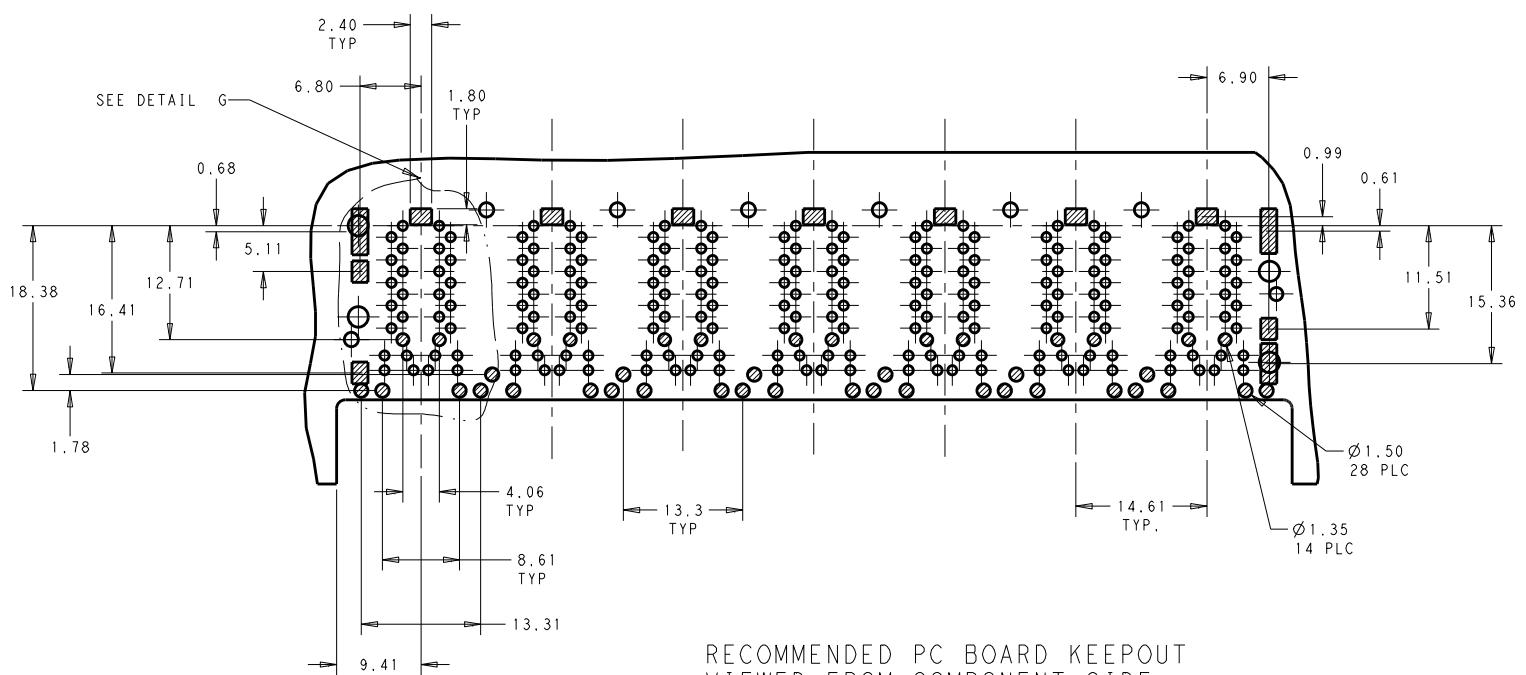
THIS DRAWING IS A CONTROLLED DOCUMENT.		DWG: DALE PAN 26MAR2010 CHK: DENNIS CHEN 26MAR2010 APVD: KEITH ZHU 26MAR2010	trp CONNECTOR DONGGUAN CHINA
DIMENSIONS: mm 	TOLERANCES UNLESS OTHERWISE SPECIFIED: 0 PLC ± 1 PLC ± 2 PLC ±0.25 3 PLC ± 4 PLC ± ANGLES ±	MODEL NAME: MAGJACK	DESC: 2X7 S8G16 GIGABIT OFFSET W/ LED
PRODUCT SPEC: 108-104004	APPLICATION SPEC:	SIZE: A1 CAGE CODE: 1840936 CUSTOMER DRAWING	RESTRICTED TO: - SCALE: NTS SHEET: 2 OF 4 REV: 6



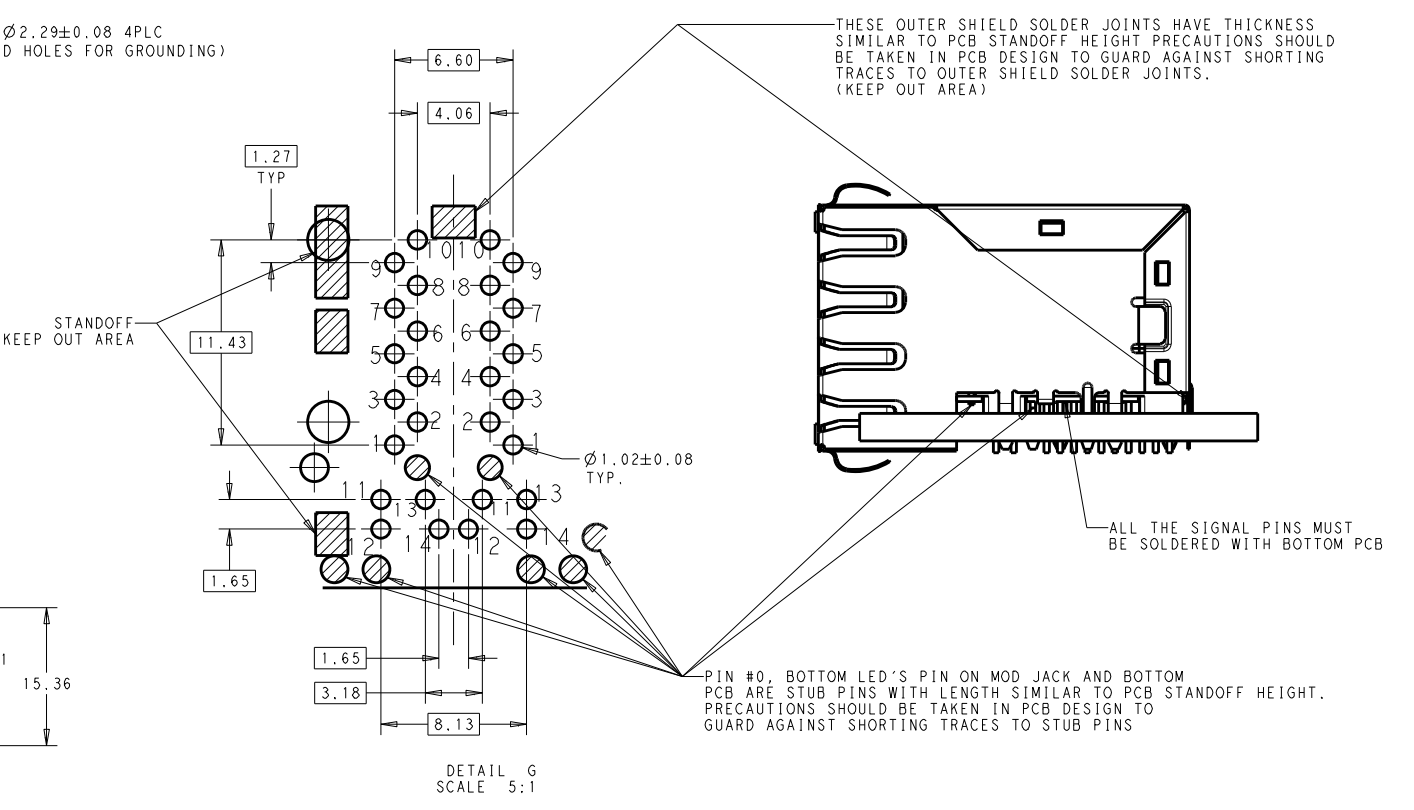
RECOMMENDED PC BOARD LAYOUT VIEWED FROM COMPONENT SIDE



RECOMMENDED PC BOARD LAYOUT

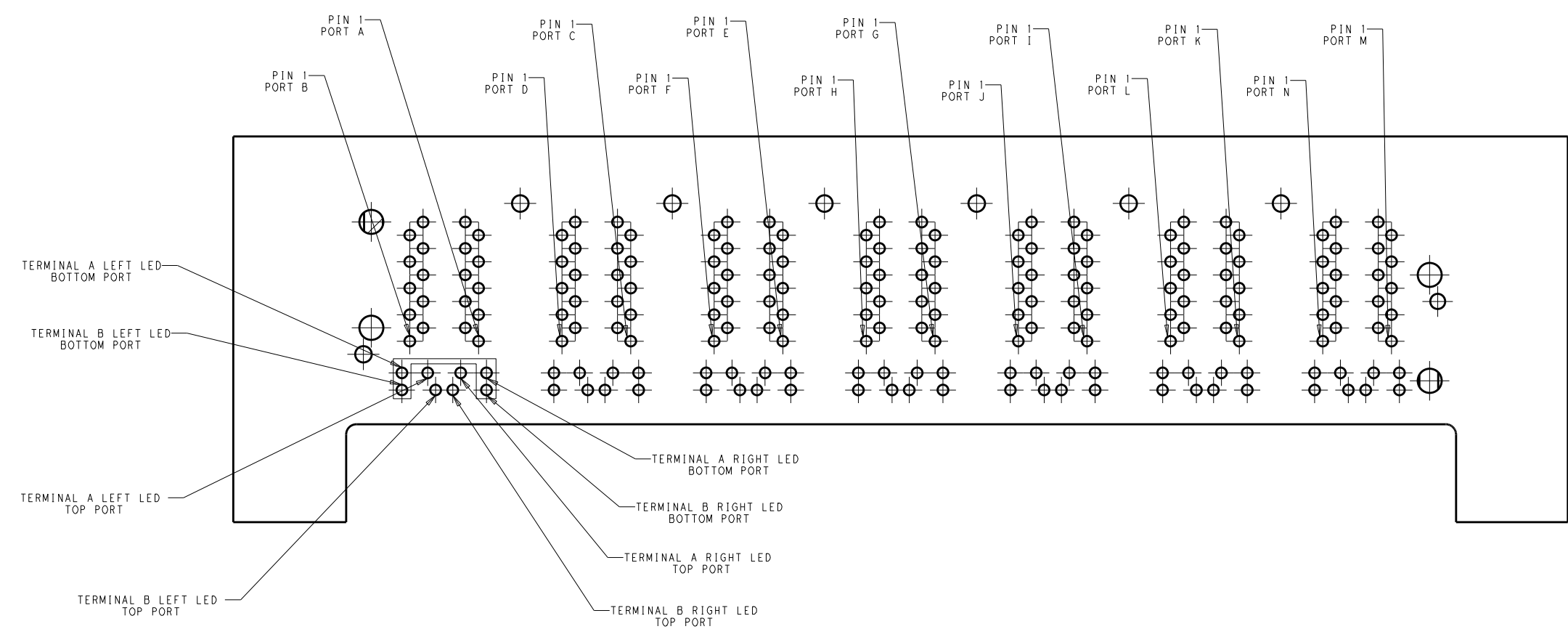


RECOMMENDED PC BOARD KEEPOUT VIEWED FROM COMPONENT SIDE



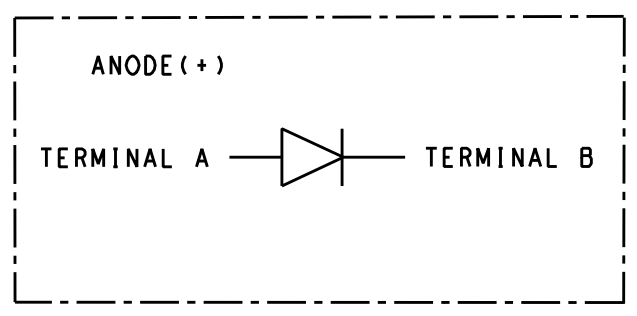
DETAIL G SCALE 5:1

THIS DRAWING IS A CONTROLLED DOCUMENT.		DATE PAN 26MAR2010	 trp CONNECTOR <small>QIM GROUP</small> DONGGUAN CHINA
DIMENSIONS: mm		CHK DENNIS CHEN 26MAR2010	
TOLERANCES UNLESS OTHERWISE SPECIFIED:		APVD KEITH ZHU 26MAR2010	
0 PLC ± 1 PLC ± 2 PLC ±0.25 3 PLC ± 4 PLC ± ANGLES ±	PRODUCT SPEC 108-104004 APPLICATION SPEC -	MODEL NAME MAGJACK SIZE CAGE CODE DRAWING NO. A1 CUSTOMER DRAWING	DESC 2X7 S8G16 GIGABIT OFFSET W/ LED RESTRICTED TO - SCALE NTS SHEET 3 OF 4 REV 6



LED HOLE DESIGNATIONS VIEWED FROM COMPONENT SIDE
SCALE 4:1

SINGLE COLOR LED



THIS DRAWING IS A CONTROLLED DOCUMENT.		DATE PAN 26MAR2010	 DONGGUAN CHINA
DIMENSIONS: mm		CHK DENNIS CHEN 26MAR2010	
		APVD KEITH ZHU 26MAR2010	MODEL NAME: 2X7 S8G16 GIGABIT OFFSET W/ LED DESC:
TOLERANCES UNLESS OTHERWISE SPECIFIED: 0 PLC ± 1 PLC ± 2 PLC ±0.25 3 PLC ± 4 PLC ± ANGLES °		MAGJACK STACK NON-POE	SIZE: A1 CAGE CODE: 1840936 DRAWING NO: 1840936 RESTRICTED TO:
PRODUCT SPEC: 108-104004	APPLICATION SPEC: -	CUSTOMER DRAWING	SCALE: NTS SHEET: 4 OF 4 REV: 6