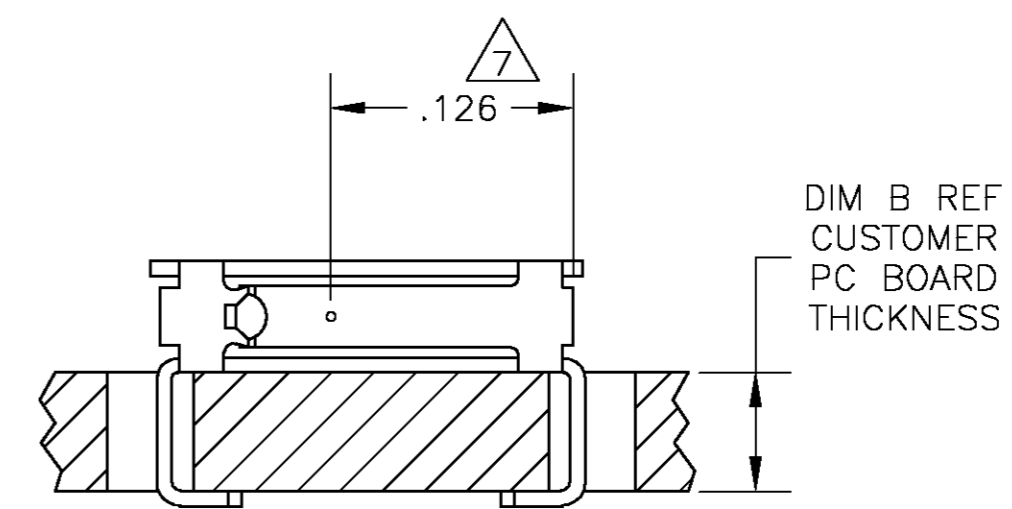
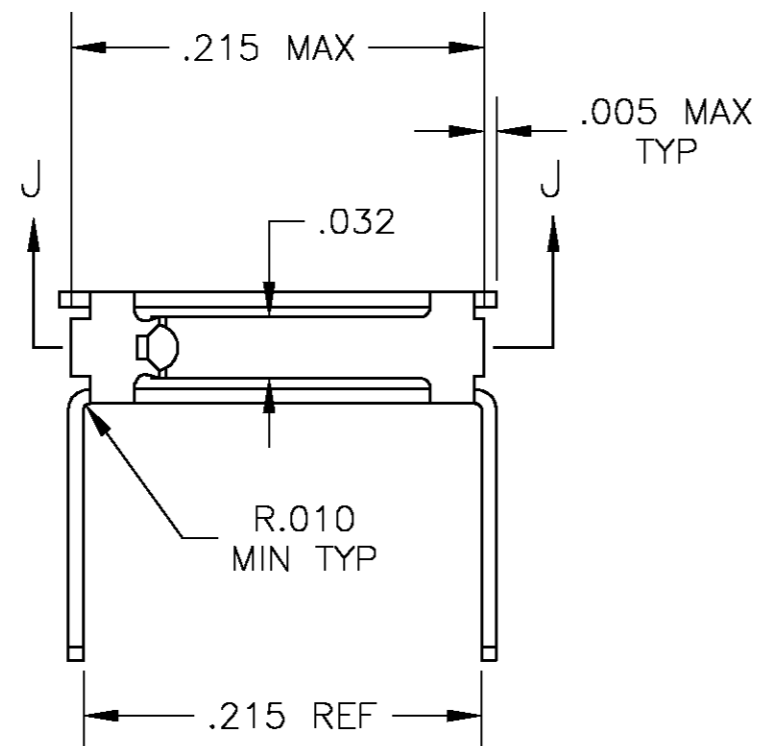
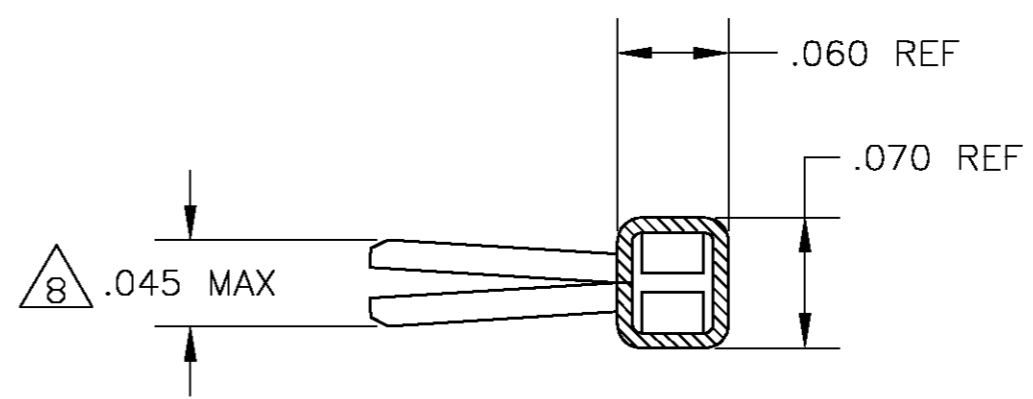
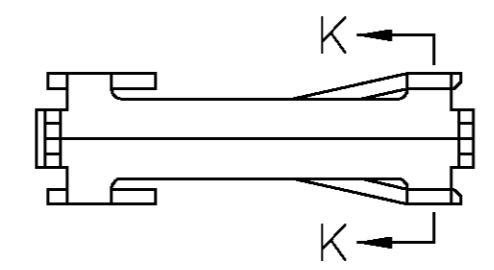


THIS DRAWING IS UNPUBLISHED. RELEASED FOR PUBLICATION
 © COPYRIGHT BY TYCO ELECTRONICS CORPORATION. ALL RIGHTS RESERVED.

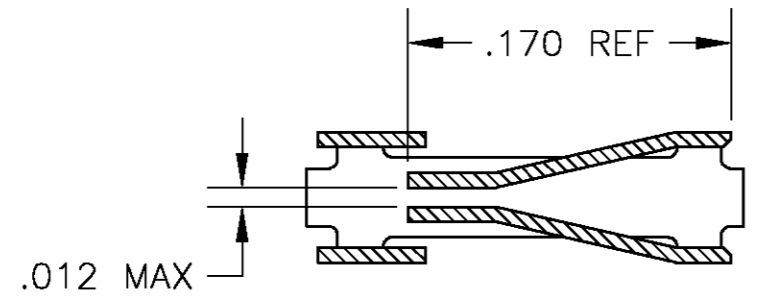
LOC		DIST		REVISIONS			
P	LTR	DATE	DWN	APVD			
AD	00						
D		OG3C-0127-03	21OCT03	MB	JO		



TYPICAL APPLICATION

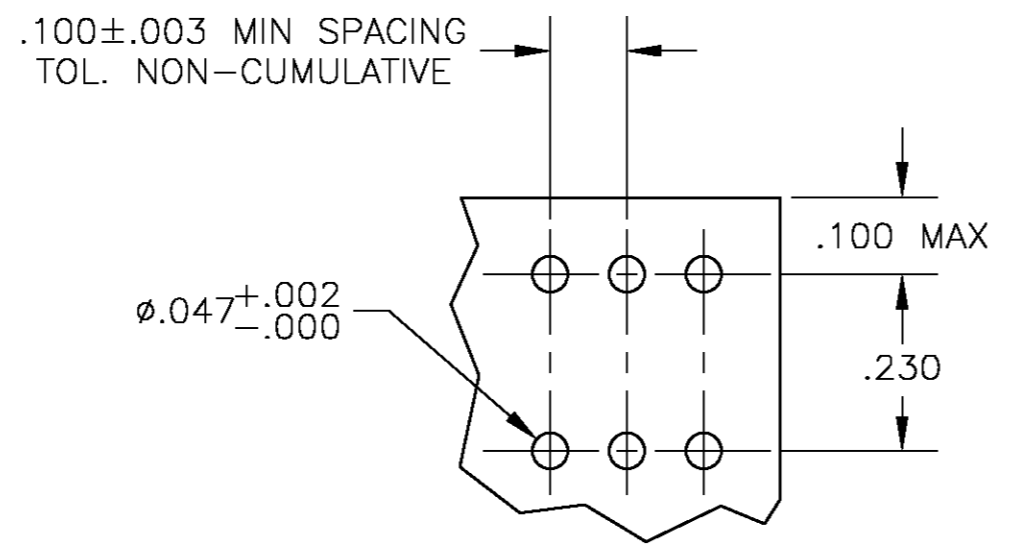
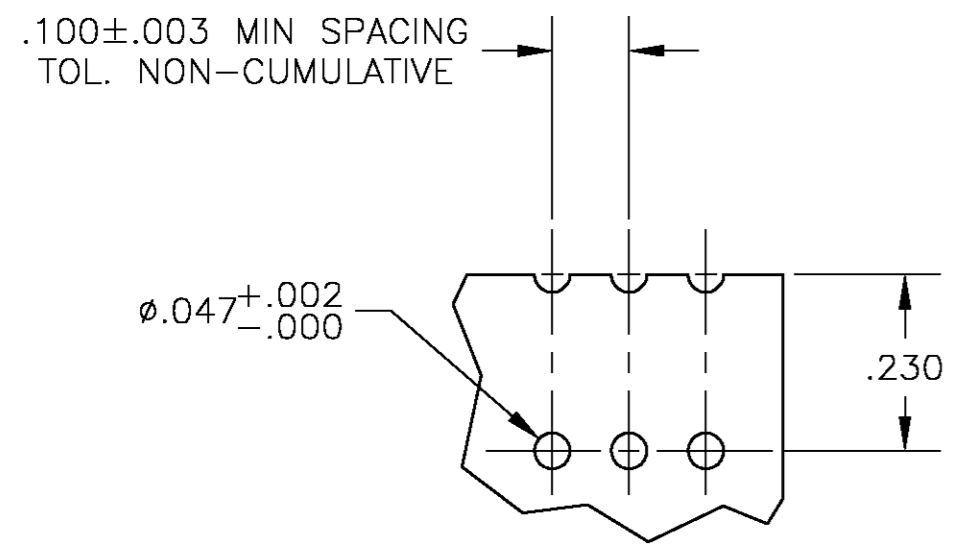


SECTION K-K



SECTION J-J

DRAWING WILL NOT BE REVISED PER PRODUCT ENGINEERING PER NEW EC 0G3C-XXXX-03



RECOMMENDED PC BOARD LAYOUT
SCALE 4:1

THIS DRAWING IS A CONTROLLED DOCUMENT.		DWN	R BROWN	15OCT01	AMP Tyco Electronics Corporation City, State, Zip
DIMENSIONS: INCHES		CHK	J OLSON	15OCT01	
TOLERANCES UNLESS OTHERWISE SPECIFIED:		APVD	J OLSON	15OCT01	
0 PLC ± - 1 PLC ± - 2 PLC ± - 3 PLC ± .005 4 PLC ± - ANGLES ± - FINISH -		PRODUCT SPEC	NAME		
MATERIAL		APPLICATION SPEC		CONTACT, RCPT, MOD II, STANDARD, LOOSE PIECE	
		WEIGHT	A2 00779		RESTRICTED TO
		CUSTOMER DRAWING		SCALE 10:1	SHEET 1 OF 2


THIS DRAWING IS UNPUBLISHED. RELEASED FOR PUBLICATION
 © COPYRIGHT BY TYCO ELECTRONICS CORPORATION. ALL RIGHTS RESERVED.

LOC		DIST		REVISIONS			
P	LTR	DESCRIPTION	DATE	DWN	APVD		
	D	SEE SHEET 1	-	-	-		

- 1 OBSOLETE.
- 2 .000030 GOLD OVER .000050 NICKEL.
- 3 .000050 GOLD OVER .000050 NICKEL.
- 4 GOLD FLASH OVER .000050 NICKEL ENTIRE CONTACT, .000030 GOLD IN CONTACT AREA ONLY.
- 5 GOLD FLASH OVER .000050 NICKEL ENTIRE CONTACT, .000015 GOLD IN CONTACT AREA ONLY.
- 6 TIN PLATE.
- 7 POINT OF MEASUREMENT FOR PLATING THICKNESS(INSIDE OF CONTACT BEAMS).
- 8 APPLIES ALONG ENTIRE LENGTH.

DRAWING WILL NOT BE REVISED PER
 PRODUCT ENGINEERING PER NEW EC
 0G3C-XXXX-03

1	.093	2-85863-1	5	2-85566-1
1	.062	1-85863-2	3	1-85566-2
1	.062	1-85863-1	5	1-85566-1
1	.125	1-85863-0	4	1-85566-0
1	.125	85863-9	6	85566-9
1	.125	85863-8	2	85566-8
1	.093	85863-7	4	85566-7
1	.093	85863-6	6	85566-6
1	.093	85863-5	2	85566-5
	.062	85863-4	4	85566-4
	.062	85863-3	6	85566-3
	.062	85863-2	2	85566-2
	DIM B	MAKE FROM STRIP NUMBER	FINISH	PART NUMBER

THIS DRAWING IS A CONTROLLED DOCUMENT.		DWN	R BROWN	15OCT01	 Tyco Electronics Corporation Harrisburg, PA 17105																		
DIMENSIONS: INCHES		CHK	J OLSON	15OCT01																			
TOLERANCES UNLESS OTHERWISE SPECIFIED:		APVD	J OLSON	15OCT01																			
<table border="0"> <tr><td>0 PLC</td><td>±</td><td>-</td></tr> <tr><td>1 PLC</td><td>±</td><td>-</td></tr> <tr><td>2 PLC</td><td>±</td><td>-</td></tr> <tr><td>3 PLC</td><td>±</td><td>.005</td></tr> <tr><td>4 PLC</td><td>±</td><td>-</td></tr> <tr><td>ANGLES</td><td>±</td><td>-</td></tr> </table>		0 PLC	±	-		1 PLC	±	-	2 PLC	±	-	3 PLC	±	.005	4 PLC	±	-	ANGLES	±	-	PRODUCT SPEC	NAME	
0 PLC	±	-																					
1 PLC	±	-																					
2 PLC	±	-																					
3 PLC	±	.005																					
4 PLC	±	-																					
ANGLES	±	-																					
MATERIAL	FINISH	WEIGHT	SCALE		SIZE	CAGE CODE	DRAWING NO	RESTRICTED TO															
-	-	-	A2		00779	C=85866	-	-															
CUSTOMER DRAWING				SCALE	1:1	SHEET	2 OF 2	REV	-														

D

C

B

A

D

C

B

A

85866