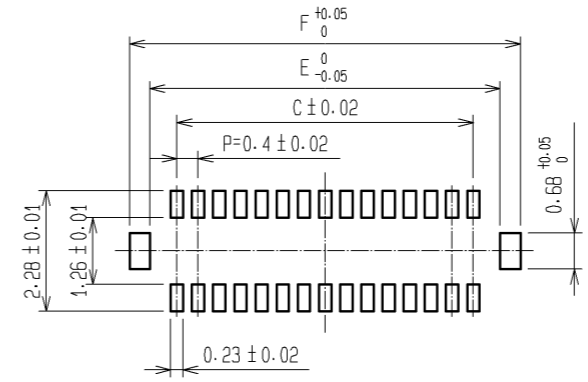
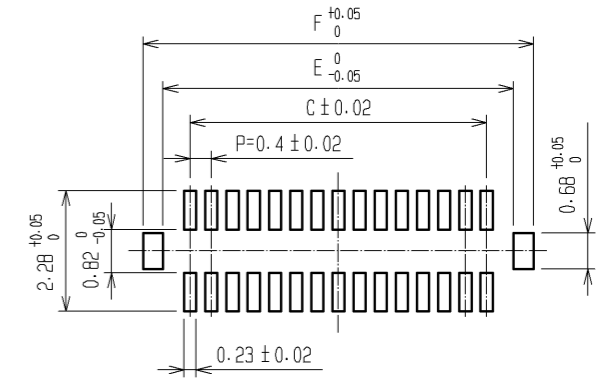


RECOMMENDED METAL MASK
OPENING PATTERN

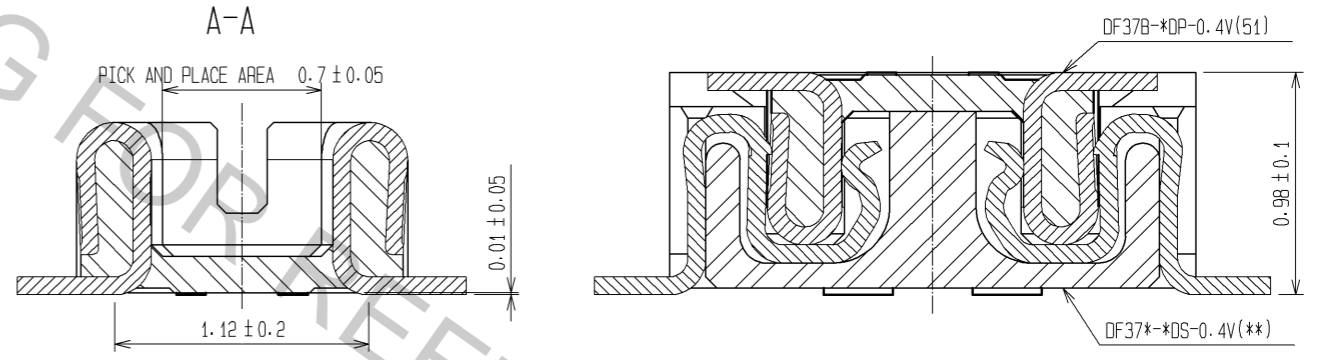


RECOMMENDED PATTERN
OPENING PATTERN



RECOMMENDED SOLDER PASTE THICKNESS : 120µm

ENGAGEMENT FIGURE



- NOTE 1. ALL LEADS CO-PLANARITY SHALL BE 0.1 MAX.
 2. PER REEL : 8000 CONNECTORS.
 3. AT THE BEGINNING OF THE REEL, 100 mm AT MIN SHALL BE EMPTY POCKETS.
 AT THE END OF THE REEL, 160 mm AT MIN SHALL BE EMPTY.
 4. CONTACT PLATING SPECIFICATIONS.
 CONTACT AREA : GOLD 0.05µm MIN.
 SMT LEAD : GOLD 0.05µm MIN.
 UNDERPLATING : NICKEL 1µm MIN.
 (SURFACE : SEALING)
 5. METAL HOLD DOWN PLATING SPECIFICATIONS.
 MOUNTING AREA: GOLD 0.05µm MIN.
 UNDERPLATING : NICKEL 1µm MIN.
 6. PEEL FORCE OF COVER TAPE REFERS TO JIS C 0806.

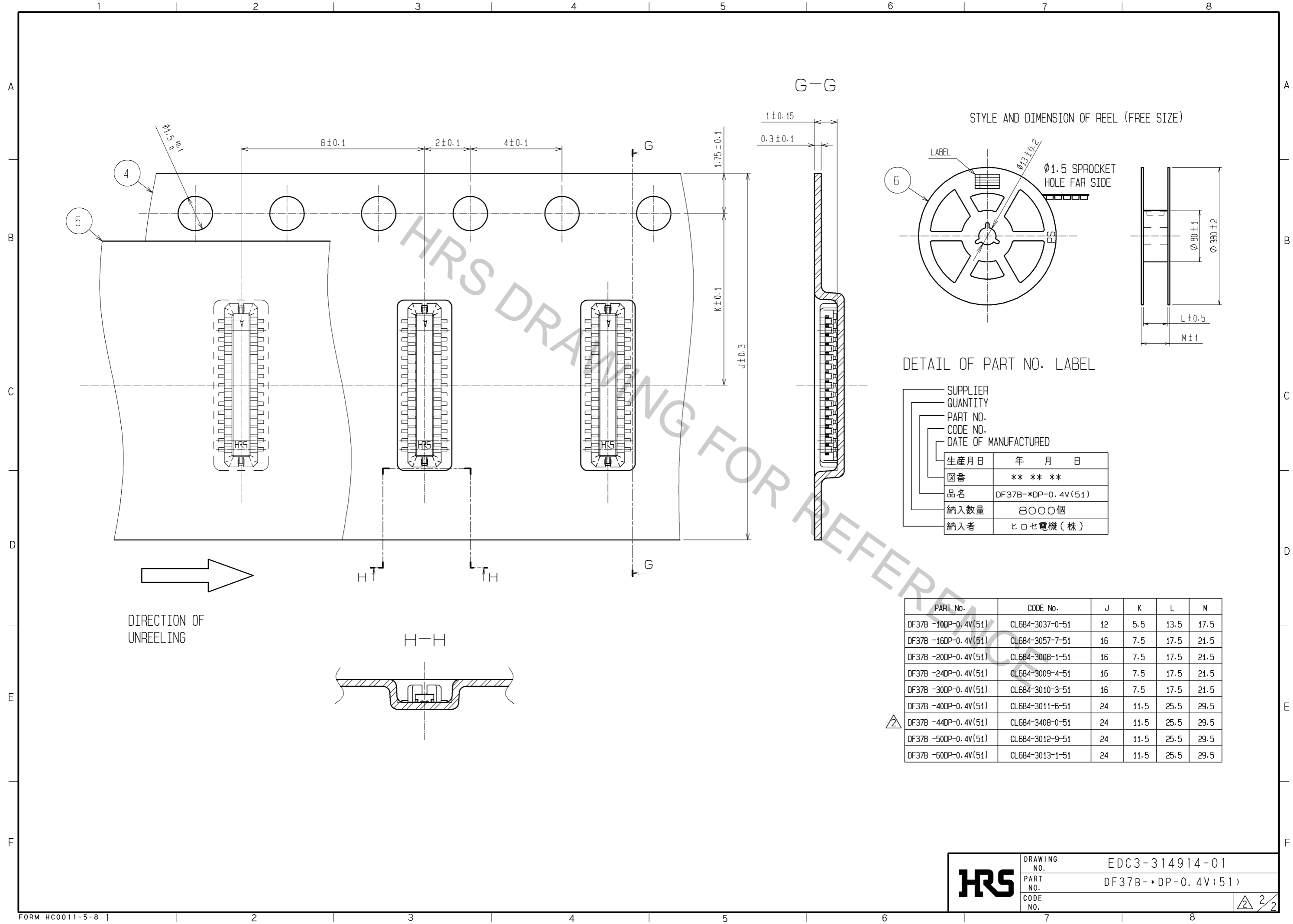
PART No.	CODE No.	B	C	D	E	F
DF37B -10DP-0.4V(51)	CL684-3037-0-51	3.14	1.6	0.8	2.62	3.38
DF37B -16DP-0.4V(51)	CL684-3057-7-51	4.34	2.8	1.2	3.82	4.58
DF37B -20DP-0.4V(51)	CL684-3008-1-51	5.14	3.6	1.6	4.62	5.38
DF37B -24DP-0.4V(51)	CL684-3009-4-51	5.94	4.4	2	5.42	6.18
DF37B -30DP-0.4V(51)	CL684-3010-3-51	7.14	5.6	2	6.62	7.38
DF37B -40DP-0.4V(51)	CL684-3011-6-51	9.14	7.6	2.4	8.62	9.38
DF37B -44DP-0.4V(51)	CL684-3408-0-51	9.94	8.4	2.8	9.42	10.18
DF37B -50DP-0.4V(51)	CL684-3012-9-51	11.14	9.6	2.8	10.62	11.38
DF37B -60DP-0.4V(51)	CL684-3013-1-51	13.14	11.6	3.2	12.62	13.38

NO.	MATERIAL	FINISH	REMARKS	NO.	MATERIAL	FINISH	REMARKS
3	PHOSPHOR BRONZE	5		6	PS		PLASTIC REEL (BLACK)
2	PHOSPHOR BRONZE	4		5	POLYESTER		CLEAR(COVER TAPE)
1	LCP		UL94V-0, BLACK	4	PS		CLEAR(EMBOSSED CARRIER TAPE)

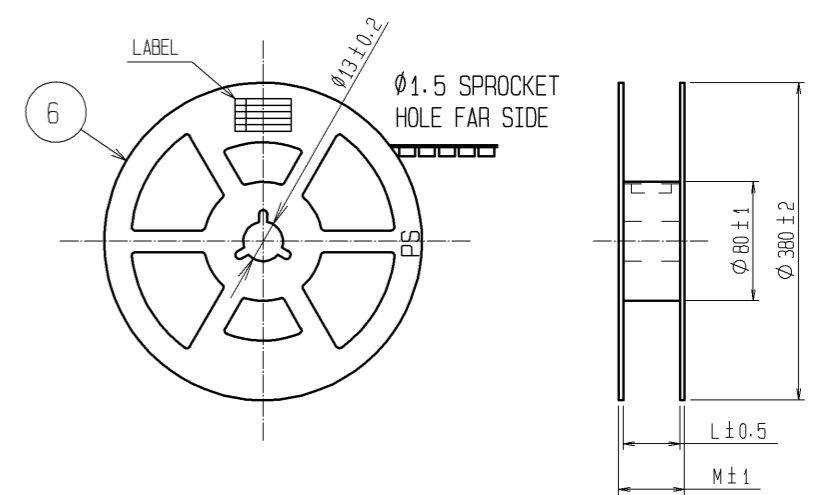
UNITS	SCALE	COUNT	DESCRIPTION OF REVISIONS	DESIGNED	CHECKED	DATE
mm	FREE	2	DIS-H-005494	KR. AJITO	TS. MIYAZAKI	11.02.04

APPROVED	DATE	DRAWING NO.
MO. NAKAMURA	07.01.30	EDC3-314914-01
KH. IKEDA	07.01.30	PART NO.
KY. MIDORIKAWA	07.01.30	DF37B-*DP-0.4V(51)
KY. MIDORIKAWA	07.01.30	CODE NO.

Apr.1.2017 Copyright 2017 HIROSE ELECTRIC CO., LTD. All Rights Reserved.



STYLE AND DIMENSION OF REEL (FREE SIZE)



PART No.	CODE No.	J	K	L	M
DF37B -10DP-0.4V(51)	CL684-3037-0-51	12	5.5	13.5	17.5
DF37B -16DP-0.4V(51)	CL684-3057-7-51	16	7.5	17.5	21.5
DF37B -20DP-0.4V(51)	CL684-3008-1-51	16	7.5	17.5	21.5
DF37B -24DP-0.4V(51)	CL684-3009-4-51	16	7.5	17.5	21.5
DF37B -30DP-0.4V(51)	CL684-3010-3-51	16	7.5	17.5	21.5
DF37B -40DP-0.4V(51)	CL684-3011-6-51	24	11.5	25.5	29.5
DF37B -44DP-0.4V(51)	CL684-3408-0-51	24	11.5	25.5	29.5
DF37B -50DP-0.4V(51)	CL684-3012-9-51	24	11.5	25.5	29.5
DF37B -60DP-0.4V(51)	CL684-3013-1-51	24	11.5	25.5	29.5

HRS	DRAWING NO.	EDC3-314914-01
	PART NO.	DF37B-*DP-0.4V(51)
	CODE NO.	