

## Important notice

Dear Customer,

On 7 February 2017 the former NXP Standard Product business became a new company with the tradename **Nexperia**. Nexperia is an industry leading supplier of Discrete, Logic and PowerMOS semiconductors with its focus on the automotive, industrial, computing, consumer and wearable application markets

In data sheets and application notes which still contain NXP or Philips Semiconductors references, use the references to Nexperia, as shown below.

Instead of <http://www.nxp.com>, <http://www.philips.com/> or <http://www.semiconductors.philips.com/>, use <http://www.nexperia.com>

Instead of [sales.addresses@www.nxp.com](mailto:sales.addresses@www.nxp.com) or [sales.addresses@www.semiconductors.philips.com](mailto:sales.addresses@www.semiconductors.philips.com), use [salesaddresses@nexperia.com](mailto:salesaddresses@nexperia.com) (email)

Replace the copyright notice at the bottom of each page or elsewhere in the document, depending on the version, as shown below:

- © NXP N.V. (year). All rights reserved or © Koninklijke Philips Electronics N.V. (year). All rights reserved

Should be replaced with:

- © **Nexperia B.V. (year). All rights reserved.**

If you have any questions related to the data sheet, please contact our nearest sales office via e-mail or telephone (details via [salesaddresses@nexperia.com](mailto:salesaddresses@nexperia.com)). Thank you for your cooperation and understanding,

Kind regards,

Team Nexperia

# DATA SHEET

For a complete data sheet, please also download:

- The IC04 LOCMOS HE4000B Logic Family Specifications HEF, HEC
- The IC04 LOCMOS HE4000B Logic Package Outlines/Information HEF, HEC

## HEF4016B

### gates

### Quadruple bilateral switches

Product specification  
File under Integrated Circuits, IC04

January 1995

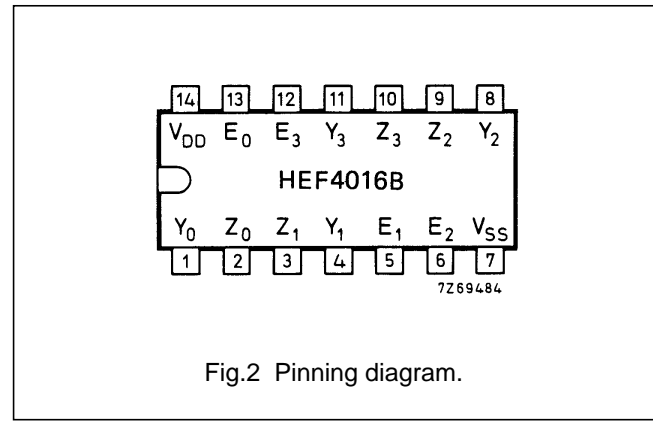
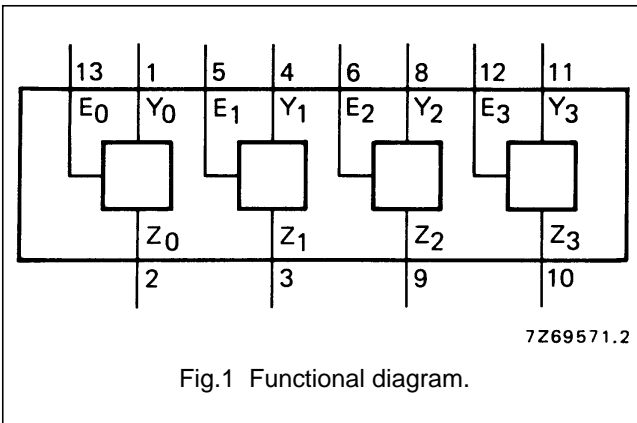
# Quadruple bilateral switches

# HEF4016B gates

**DESCRIPTION**

The HEF4016B has four independent analogue switches (transmission gates). Each switch has two input/output terminals (Y/Z) and an active HIGH enable input (E). When E is connected to  $V_{DD}$  a low impedance bidirectional path between Y and Z is established (ON condition). When E is connected to  $V_{SS}$  the switch is disabled and a high

impedance between Y and Z is established (OFF condition). Current through a switch will not cause additional  $V_{DD}$  current provided the voltage at the terminals of the switch is maintained within the supply voltage range;  $V_{DD} \geq (V_Y, V_Z) \geq V_{SS}$ . Inputs Y and Z are electrically equivalent terminals.



**PINNING**

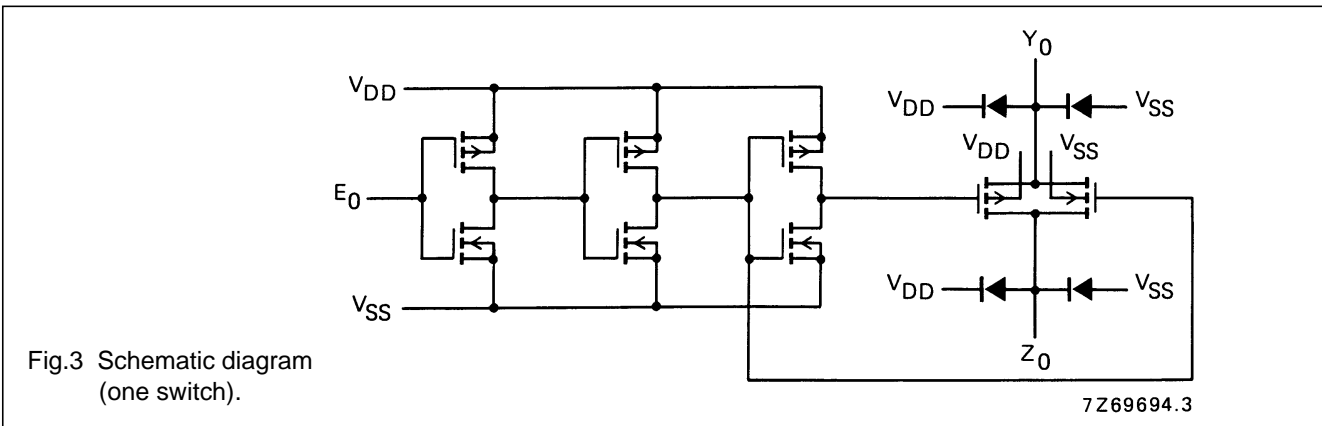
- $E_0$  to  $E_3$  enable inputs
- $Y_0$  to  $Y_3$  input/output terminals
- $Z_0$  to  $Z_3$  input/output terminals

- HEF4016BP(N): 14-lead DIL; plastic (SOT27-1)
- HEF4016BD(F): 14-lead DIL; ceramic (cerdip) (SOT73)
- HEF4016BT(D): 14-lead SO; plastic (SOT108-1)
- ( ) : Package Designator North America

**APPLICATION INFORMATION**

Some examples of applications for the HEF4016B are:

- Signal gating
- Modulation
- Demodulation
- Chopper



# Quadruple bilateral switches

# HEF4016B gates

## RATINGS

Limiting values in accordance with the Absolute Maximum System (IEC 134)

Power dissipation per switch P max. 100 mW

For other RATINGS see Family Specifications

## DC CHARACTERISTICS

$T_{amb} = 25\text{ °C}$ ;  $V_{SS} = 0\text{ V}$  (unless otherwise specified)

PARAMETER	$V_{DD}$ V	SYMBOL	TYP.	MAX.	UNIT	CONDITIONS
ON resistance	5	$R_{ON}$	8000	–	$\Omega$	$E_n$ at $V_{IH}$ ; $V_{is} = 0$ to $V_{DD}$ ; see Fig.4
	10		230	690	$\Omega$	
	15		115	350	$\Omega$	
ON resistance	5	$R_{ON}$	140	425	$\Omega$	$E_n$ at $V_{IH}$ ; $V_{is} = V_{SS}$ ; see Fig.4
	10		65	195	$\Omega$	
	15		50	145	$\Omega$	
ON resistance	5	$R_{ON}$	170	515	$\Omega$	$E_n$ at $V_{IH}$ ; $V_{is} = V_{DD}$ ; see Fig.4
	10		95	285	$\Omega$	
	15		75	220	$\Omega$	
' $\Delta$ ' ON resistance between any two channels	5	$\Delta R_{ON}$	200	–	$\Omega$	$E_n$ at $V_{IH}$ ; $V_{is} = 0$ to $V_{DD}$ ; see Fig.4
	10		15	–	$\Omega$	
	15		10	–	$\Omega$	

PARAMETER	$V_{DD}$ V	SYMBOL	$T_{amb}$ (°C)						UNIT	CONDITION
			–40		+ 25		+ 85			
			MIN.	MAX.	MIN.	MAX.	MIN.	MAX.		
Quiescent device current	5	$I_{DD}$	–	1,0	–	1,0	–	7,5	$\mu\text{A}$	$V_{SS} = 0$ ; all valid input combinations; $V_I = V_{SS}$ or $V_{DD}$
	10		–	2,0	–	2,0	–	15,0	$\mu\text{A}$	
	15		–	4,0	–	4,0	–	30,0	$\mu\text{A}$	
Input leakage current at $E_n$	15	$\pm I_{IN}$	–	–	–	300	–	1000	nA	$E_n$ at $V_{SS}$ or $V_{DD}$
OFF-state leakage current, any channel OFF	5	$I_{OZ}$	–	–	–	–	–	–	nA	$E_n$ at $V_{IL}$ ; $V_{is} = V_{SS}$ or $V_{DD}$ ; $V_{os} = V_{DD}$ or $V_{SS}$
	10		–	–	–	–	–	–	nA	
	15		–	–	–	200	–	–	nA	
$E_n$ input voltage LOW	5	$V_{IL}$	–	1,5	–	1,5	–	1,5	V	switch OFF; see Fig.9 for $I_{OZ}$
	10		–	3,0	–	3,0	–	3,0	V	
	15		–	4,0	–	4,0	–	4,0	V	
$E_n$ input voltage HIGH	5	$V_{IH}$	3,5	–	3,5	–	3,5	–	V	low-impedance between Y and Z (ON condition) see $R_{ON}$ switch
	10		7,0	–	7,0	–	7,0	–	V	
	15		11,0	–	11,0	–	11,0	–	V	

Quadruple bilateral switches

HEF4016B  
gates

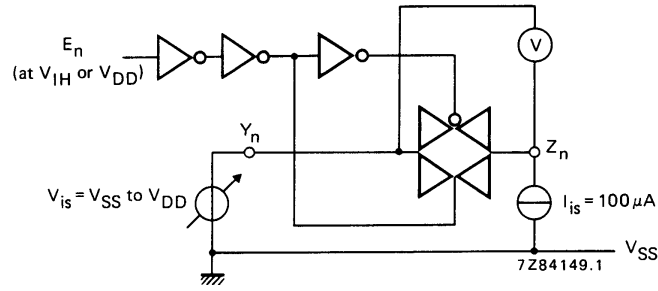
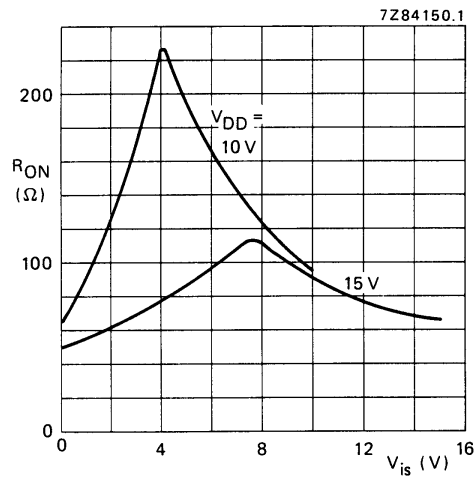


Fig.4 Test set-up for measuring  $R_{ON}$ .



$E_n > V_{IH}$   
 $I_{is} = 100 \mu A$   
 $V_{SS} = 0 V$

Fig.5 Typical  $R_{ON}$  as a function of input voltage.

# Quadruple bilateral switches

## HEF4016B gates

### AC CHARACTERISTICS

$V_{SS} = 0\text{ V}$ ;  $T_{amb} = 25\text{ °C}$ ; input transition times  $\leq 20\text{ ns}$

	$V_{DD}$ V	SYMBOL	TYP.	MAX.		
Propagation delays $V_{is} \rightarrow V_{os}$ HIGH to LOW	5		25	50	ns	note 1
	10	$t_{PHL}$	10	20	ns	
	15		5	10	ns	
LOW to HIGH	5		20	40	ns	note 1
	10	$t_{PLH}$	10	20	ns	
	15		5	10	ns	
Output disable times $E_n \rightarrow V_{os}$ HIGH	5		90	130	ns	note 2
	10	$t_{PHZ}$	80	110	ns	
	15		75	100	ns	
LOW	5		85	120	ns	note 2
	10	$t_{PLZ}$	75	100	ns	
	15		75	100	ns	
Output enable times $E_n \rightarrow V_{os}$ HIGH	5		40	80	ns	note 2
	10	$t_{PZH}$	20	40	ns	
	15		15	30	ns	
LOW	5		40	80	ns	note 2
	10	$t_{PZL}$	20	40	ns	
	15		15	30	ns	
Distortion, sine-wave response	5		–	–	%	note 3
	10		0,08	–	%	
	15		0,04	–	%	
Crosstalk between any two channels	5		–	–	MHz	note 4
	10		1	–	MHz	
	15		–	–	MHz	
Crosstalk; enable input to output	5		–	–	mV	note 5
	10		50	–	mV	
	15		–	–	mV	
OFF-state feed-through	5		–	–	MHz	note 6
	10		1	–	MHz	
	15		–	–	MHz	
ON-state frequency response	5		–	–	MHz	note 7
	10		90	–	MHz	
	15		–	–	MHz	

# Quadruple bilateral switches

## HEF4016B gates

### Notes

$V_{is}$  is the input voltage at a Y or Z terminal, whichever is assigned as input.

$V_{os}$  is the output voltage at a Y or Z terminal, whichever is assigned as output.

- $R_L = 10 \text{ k}\Omega$  to  $V_{SS}$ ;  $C_L = 50 \text{ pF}$  to  $V_{SS}$ ;  $E_n = V_{DD}$ ;  $V_{is} = V_{DD}$  (square-wave); see Figs 6 and 10.
- $R_L = 10 \text{ k}\Omega$ ;  $C_L = 50 \text{ pF}$  to  $V_{SS}$ ;  $E_n = V_{DD}$  (square-wave);  
 $V_{is} = V_{DD}$  and  $R_L$  to  $V_{SS}$  for  $t_{PHZ}$  and  $t_{PZH}$ ;  
 $V_{is} = V_{SS}$  and  $R_L$  to  $V_{DD}$  for  $t_{PLZ}$  and  $t_{PZL}$ ; see Figs 6 and 11.
- $R_L = 10 \text{ k}\Omega$ ;  $C_L = 15 \text{ pF}$ ;  $E_n = V_{DD}$ ;  $V_{is} = \frac{1}{2}V_{DD(p-p)}$  (sine-wave, symmetrical about  $\frac{1}{2}V_{DD}$ );  
 $f_{is} = 1 \text{ kHz}$ ; see Fig.7.
- $R_L = 1 \text{ k}\Omega$ ;  $V_{is} = \frac{1}{2}V_{DD(p-p)}$  (sine-wave, symmetrical about  $\frac{1}{2}V_{DD}$ );

$$20 \log \frac{V_{os} (B)}{V_{is} (A)} = -50 \text{ dB}; E_n (A) = V_{SS}; E_n (B) = V_{DD}; \text{ see Fig. 8.}$$

- $R_L = 10 \text{ k}\Omega$  to  $V_{SS}$ ;  $C_L = 15 \text{ pF}$  to  $V_{SS}$ ;  $E_n = V_{DD}$  (square-wave); crosstalk is  $|V_{os}|$  (peak value); see Fig.6.
- $R_L = 1 \text{ k}\Omega$ ;  $C_L = 5 \text{ pF}$ ;  $E_n = V_{SS}$ ;  $V_{is} = \frac{1}{2}V_{DD(p-p)}$  (sine-wave, symmetrical about  $\frac{1}{2}V_{DD}$ );

$$20 \log \frac{V_{os}}{V_{is}} = -50 \text{ dB}; \text{ see Fig. 7.}$$

- $R_L = 1 \text{ k}\Omega$ ;  $C_L = 5 \text{ pF}$ ;  $E_n = V_{DD}$ ;  $V_{is} = \frac{1}{2}V_{DD(p-p)}$  (sine-wave, symmetrical about  $\frac{1}{2}V_{DD}$ );

$$20 \log \frac{V_{os}}{V_{is}} = -3 \text{ dB}; \text{ see Fig. 7.}$$

	$V_{DD}$ V	TYPICAL FORMULA FOR P ( $\mu$ W)	
Dynamic power dissipation per package (P) <sup>(1)</sup>	5 10 15	$550 f_i + \sum (f_o C_L) \times V_{DD}^2$ $2\ 600 f_i + \sum (f_o C_L) \times V_{DD}^2$ $6\ 500 f_i + \sum (f_o C_L) \times V_{DD}^2$	where $f_i$ = input freq. (MHz) $f_o$ = output freq. (MHz) $C_L$ = load capacitance (pF) $\sum (f_o C_L)$ = sum of outputs $V_{DD}$ = supply voltage (V)

### Note

- All enable inputs switching.

Quadruple bilateral switches

HEF4016B  
gates

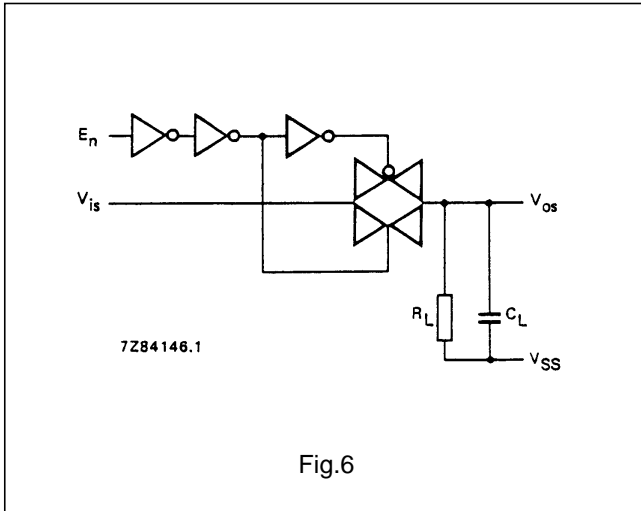


Fig.6

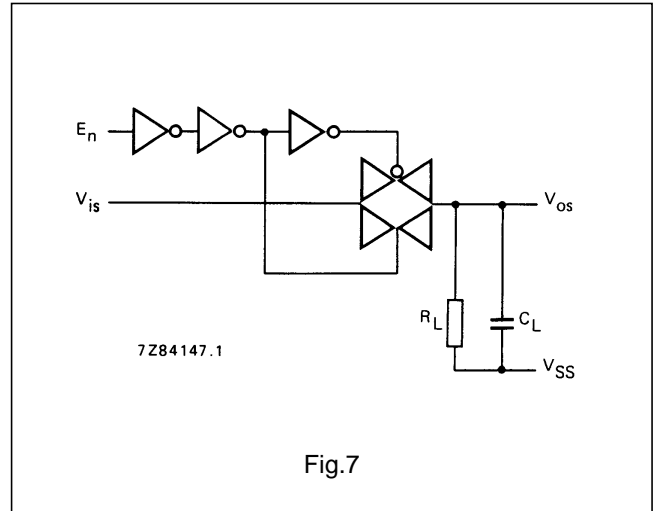


Fig.7

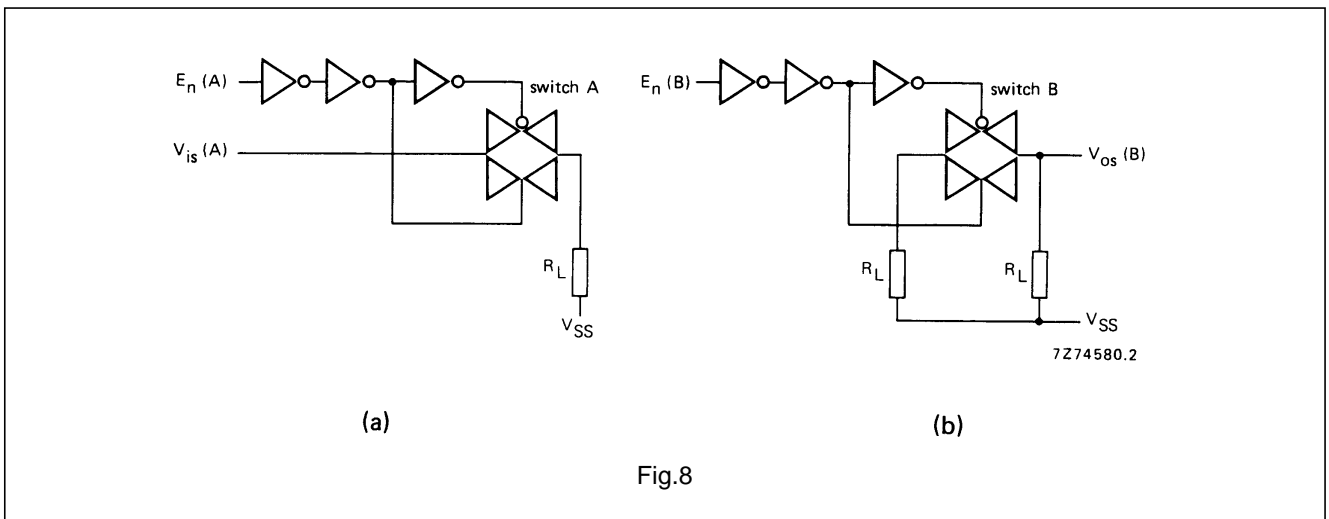


Fig.8

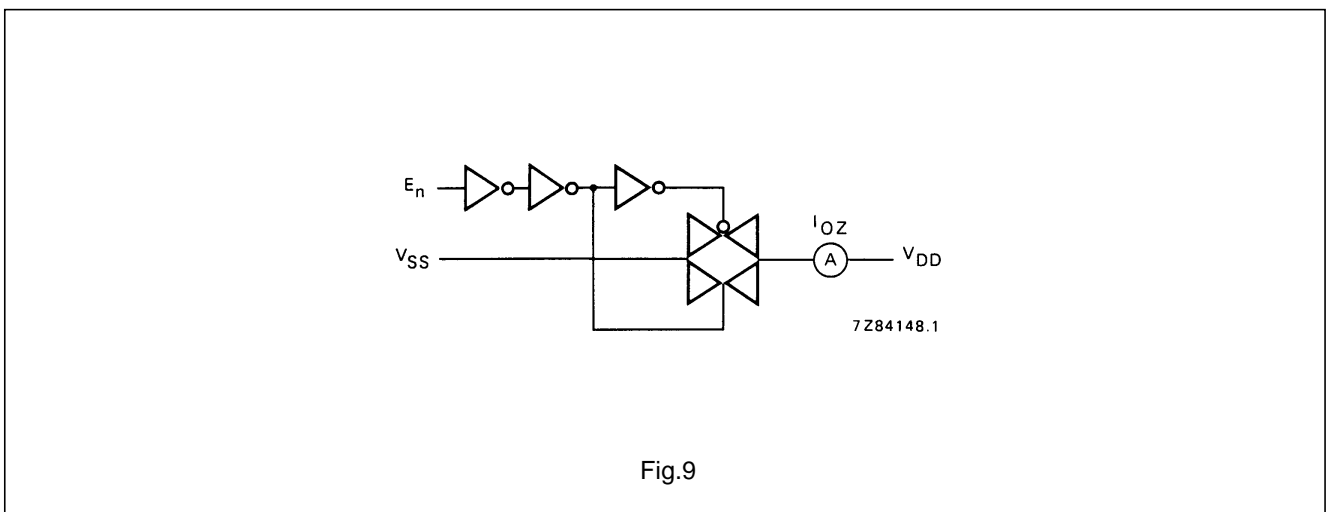


Fig.9



Quadruple bilateral switches

HEF4016B  
gates

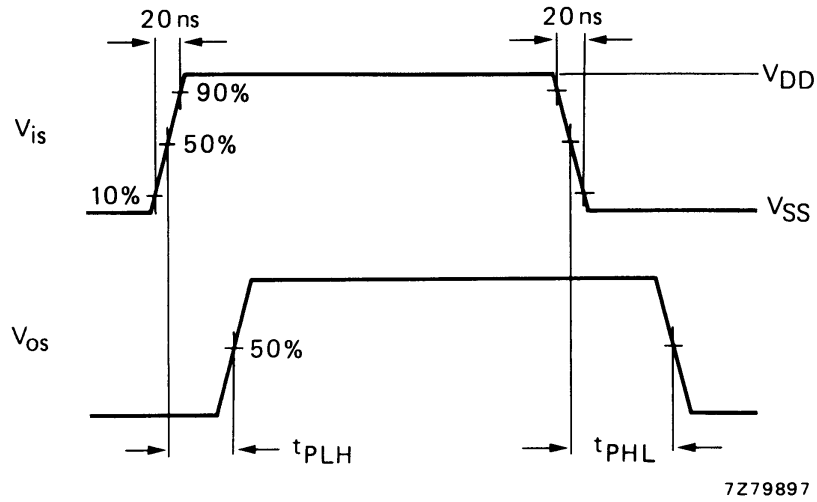
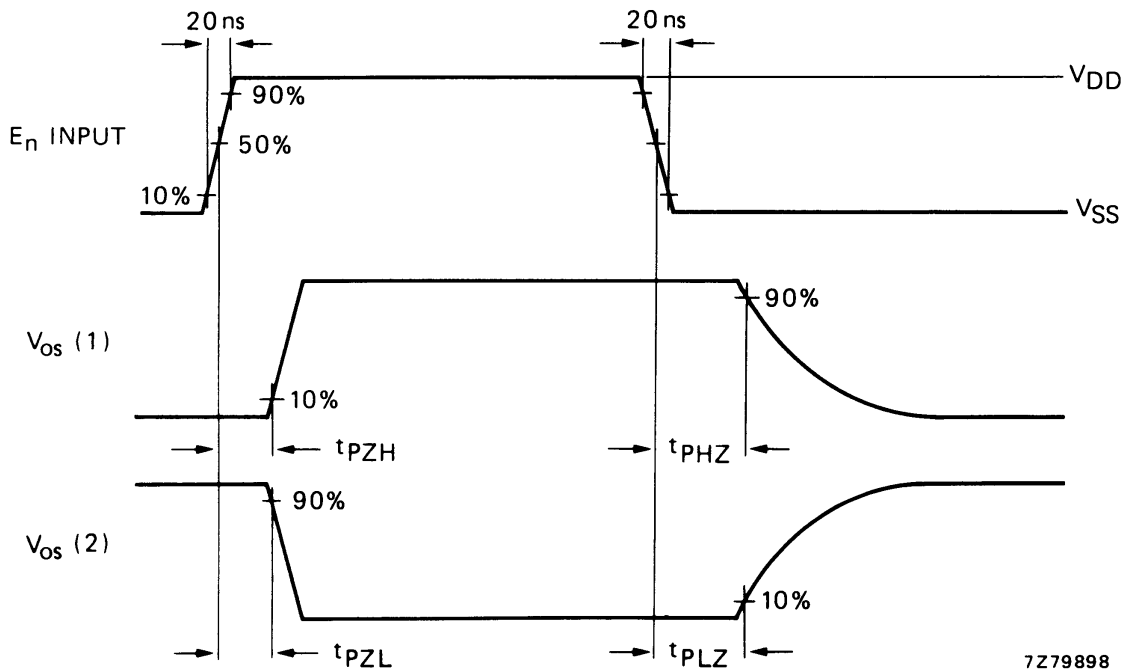


Fig.10 Waveforms showing propagation delays from  $V_{is}$  to  $V_{os}$ .



- (1)  $V_{is}$  at  $V_{DD}$
- (2)  $V_{is}$  at  $V_{SS}$

Fig.11 Waveforms showing output disable and enable times.