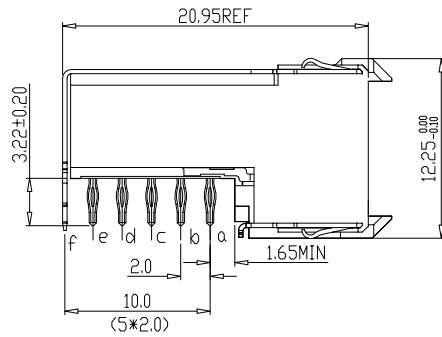


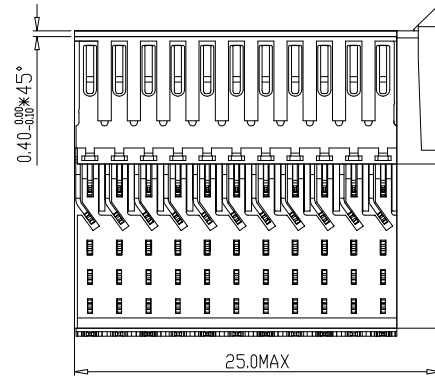
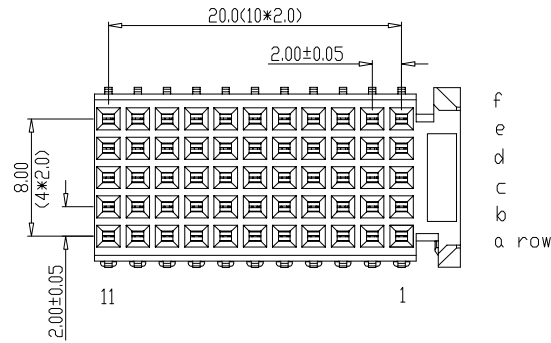
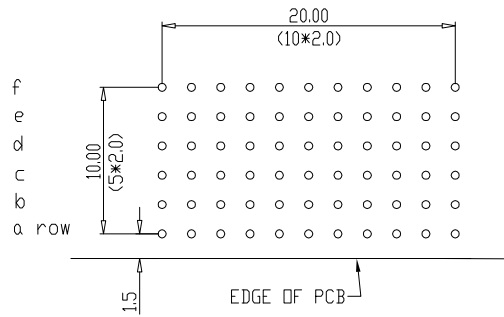


Tous droits strictement reserves. Reproduction ou communication a des tiers interdite sous quelque forme que ce soit sans autorisation écrite du propriétaire. Propriete de c FCI. Droits de reproduction FCI.

All rights strictly reserved. Reproduction or issue to third parties in any form whatever is not permitted without written authority from the proprietor. Property of FCI. Copyright FCI.



LAY-OUT  
P.C.B.- HOLE



PERFORMANCE CHARACTERISTICS

- CURRENT RATING 1.5A AT 20°C (FULLY LOADED)
- 1 A AT 70°C (FULLY LOADED)
- RATED VOLTAGE : 500 V AC (CONT /CONT)
- OPERATING TEMPERATURE : -55°C TO 125°C
- CONTACT RESISTANCE 20 MΩ MAX
- INSERTION FORCE : 0.75N MAX/CONT
- EXTRACTION FORCE : 0.15N MIN/CONT
- INSULATION RESISTANCE : 10<sup>4</sup> MΩ MIN

NOTES 1: LEAD FREE INDICATOR :LF=LEAD FREE

PERFORMANCE LEVEL INDICATOR (REF DWG ND.BSC.201844.003)

2. THIS PRODUCT IS CSA APPROVED, THIS PRODUCT IS UL RECOGNIZED.
3. FOR RECOMMENDED PTH DIMENSIONS REFER DRAWING : BS.A.201572.001
4. THIS PRODUCT (LF) MEETS EUROPEAN UNION DIRECTIVES AND OTHER COUNTRY REGULATIONS AS DESCRIBED IN GS-22-008

rev	ecn no	dr	date
A	CONVERSION REVISION 03	KN	14-09-01
B	DG05-0352	Kason	23-09-05
C	DG07-0362	Kason	05-09-07
D	DG10-0110	NZ	05-30-10

Material		Spec ref		
Mat code				
Heattreat				tolerance 1DEC ± 0.2 1DEC 2DEC ± 0.1 2DEC ANGLES ± 1° HOEKEN
Plating/Finish				
Dr	W,Paris	10-01-95	size A4	
Eng			Scale 2.000	
Chr			Product family MILLIPACS	
Appr			Model Name ECN	
			Model Revision REL Level	
	title	MPACS 5+2R RA RCP CONN TYPE CR	dwg no BSC201444012	
Pro/E file	catalog no	HM2R21PA5101----	Rev. D	
		CUSTOMER DRAWING	sheet 1 of 1	