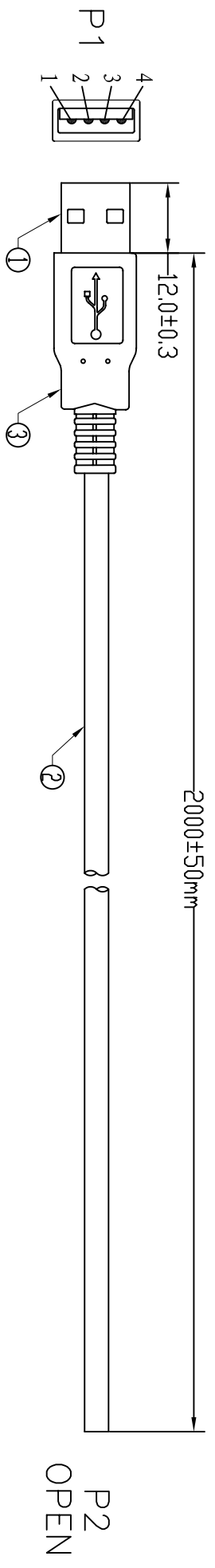
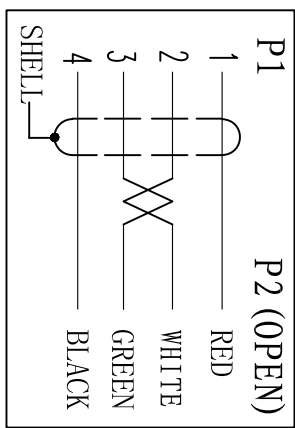


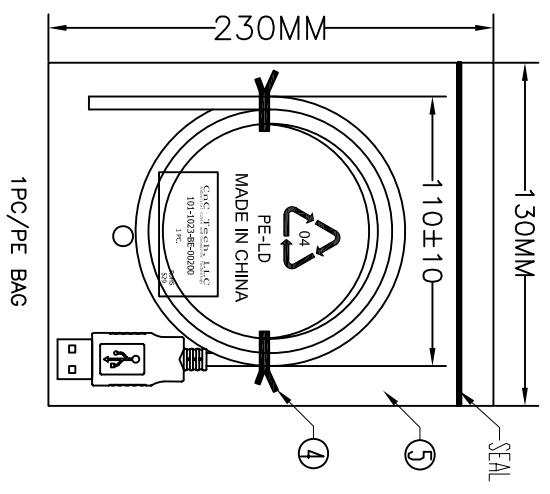
UNIT:mm



PIN ASSIGNMENT:



Electrical test:
 1. 100% short, open, miswire test
 2. Conduct resistance: 2 Ohm(max)
 3. Insulation resistance: 5Mohm(min)
 4. dielectric test: DC 300V



CABLE BLACK PRINT
 HI-SPEED USB Revision 2.0 SHIELDED 28AWG/1P+24AWG/2C
 E189529 **PA** AWM STYLE 2725 80°C 30V VW-1 VEGA TECH

| | | | |
|-----|------------|------|--|
| ⑥ | PE BAG | 1/10 | CLEAR SIZE:280*330*0.05mm PRINT BLACK"MADE IN CHINA"+ "10PCS" |
| ⑤ | PE BAG | 1 | CLEAR SIZE:130*230*0.05mm PRINT BLACK"MADE IN CHINA"+ "1PC" |
| ④ | TIE | 2 | WHITE L=100mm |
| ③ | OUT JACKET | 6g | BEIGE (1V-29#) PVC-40P (MOULD NO.:MM-40) |
| ② | CABLE | 1 | BEIGE(1V-29#) USB2.0 UL2725 28#/1P+26#/2C+NEB OD:4.7mm L=2000±10 |
| ① | CONN | 1 | USB A MALE NICKEL PIN G/F 4PCS TYPE |
| NO. | NAME | Q'TY | SPECIFICATION |

CNC Tech, LLC
 Industrial Cable and Connector Technology

| | | | |
|-----------------|---------|------------|-------------------|
| DRAWN | ZHONGHS | DRAWING NO | |
| CHECKED | | CUSTOMER | |
| APPROVAL | | ITEM NO. | 101-1023-BE-00200 |
| DECIDED | | DATE | 2012-02-14 |
| VERSIONS/EDITED | A/0 | PROJECTION | |