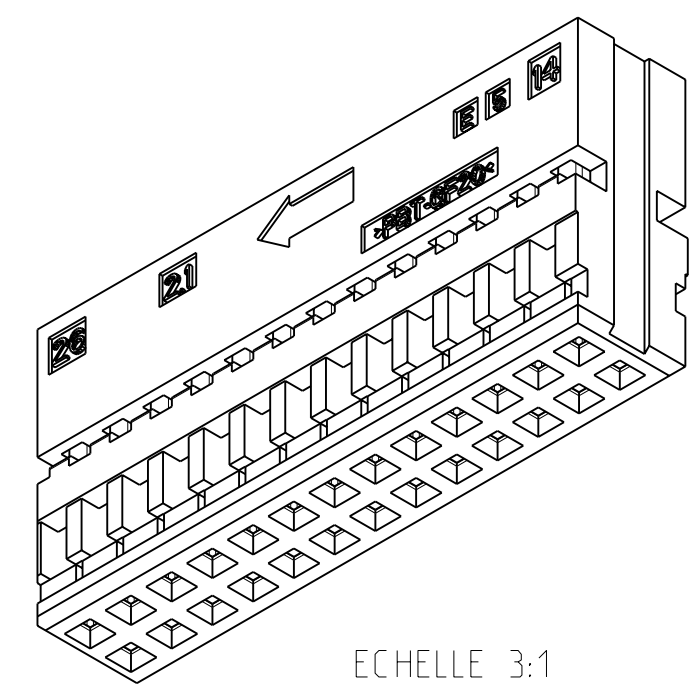
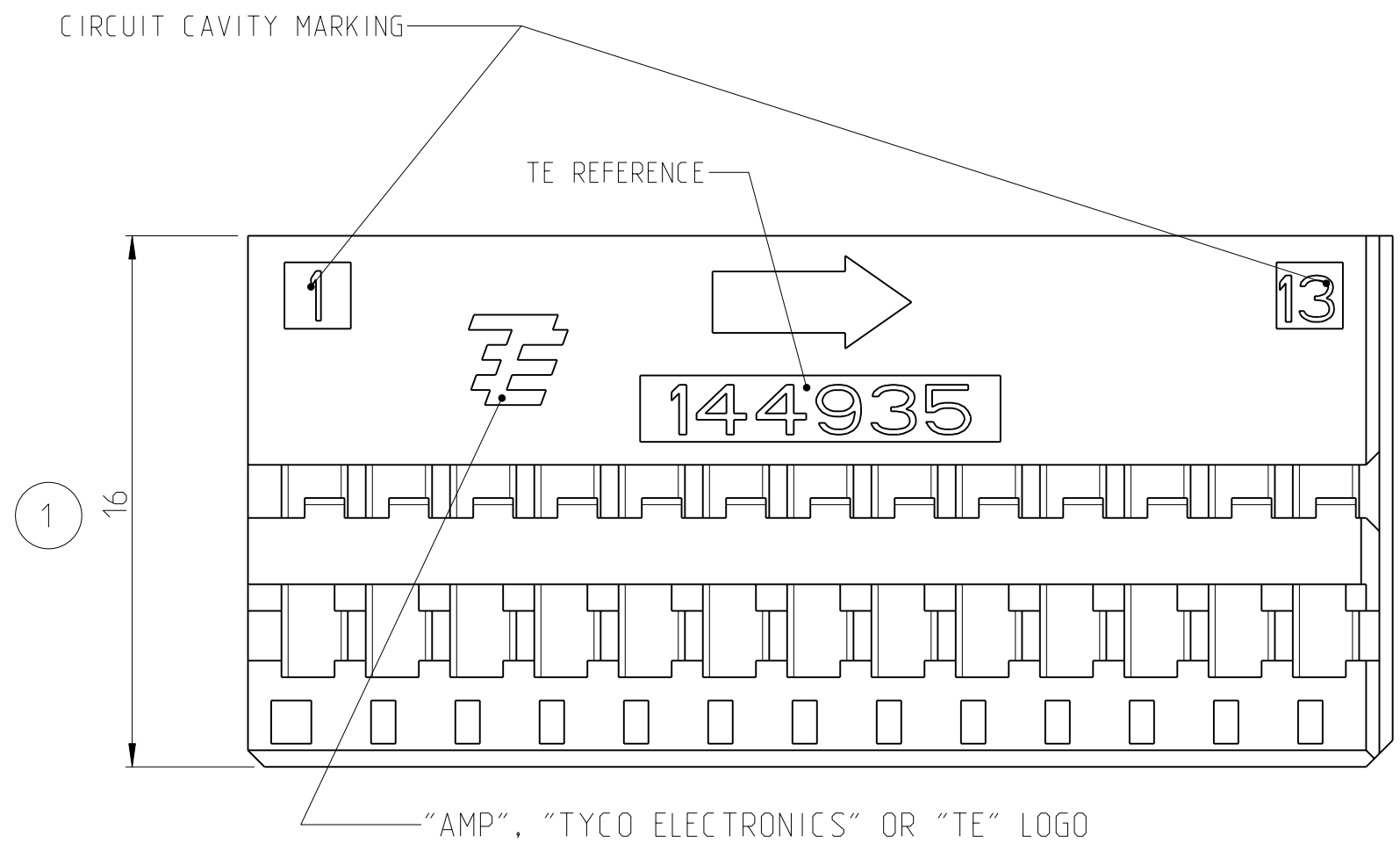
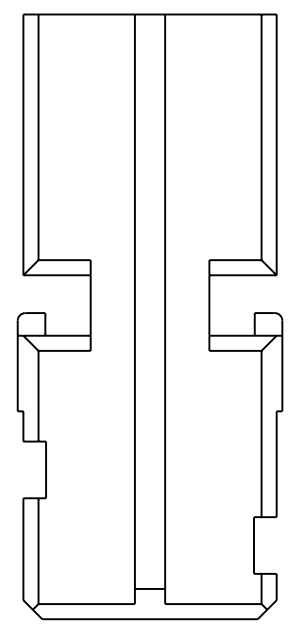


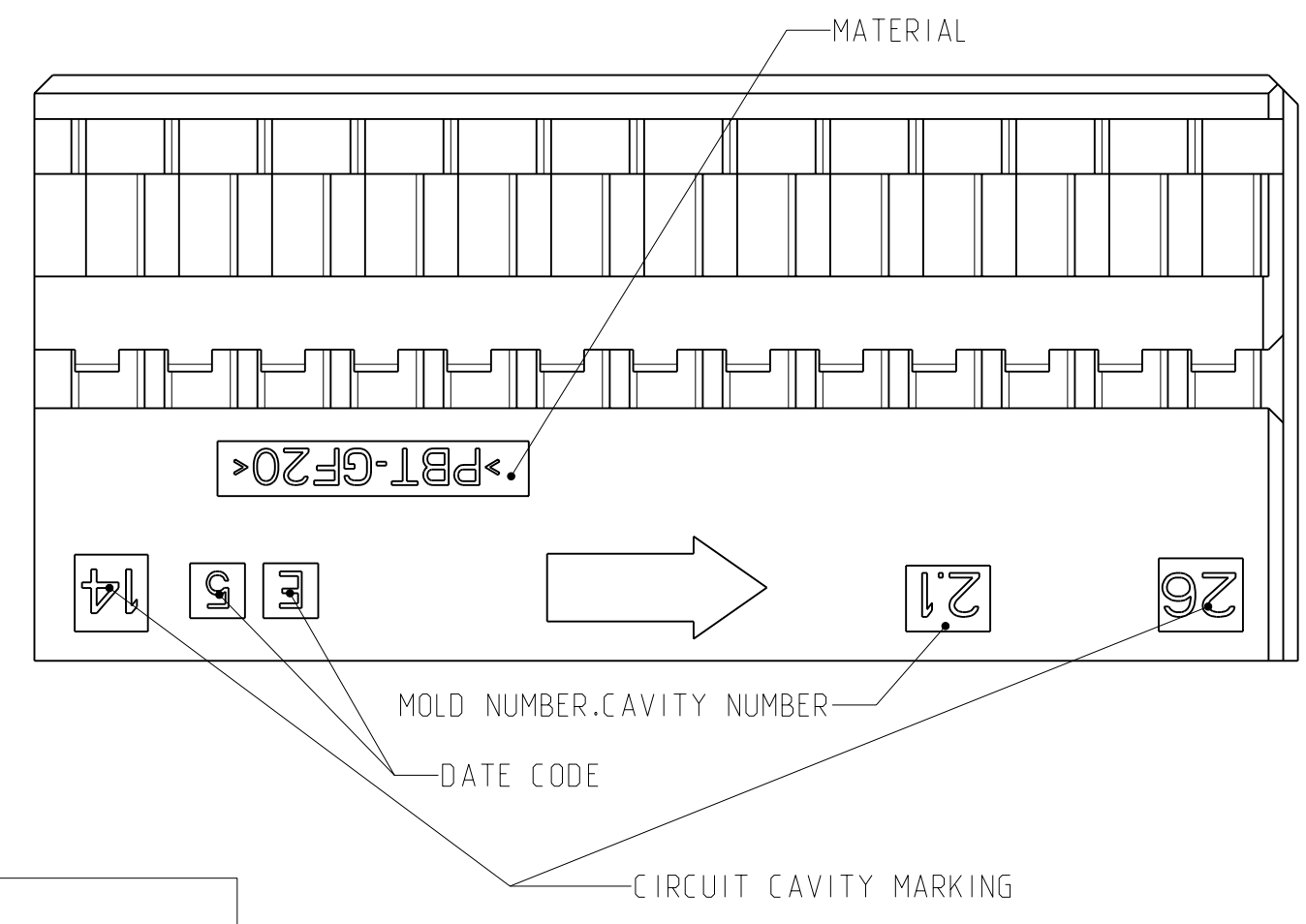
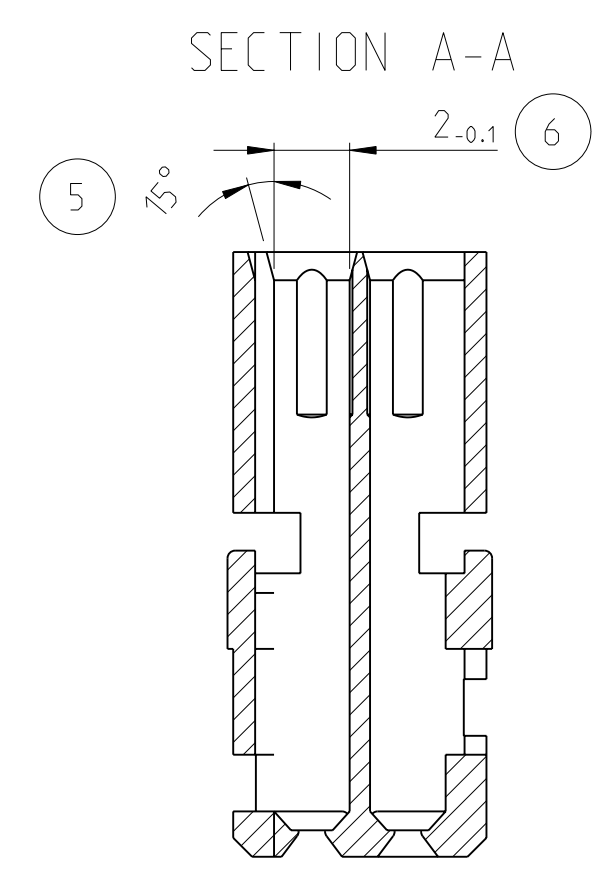
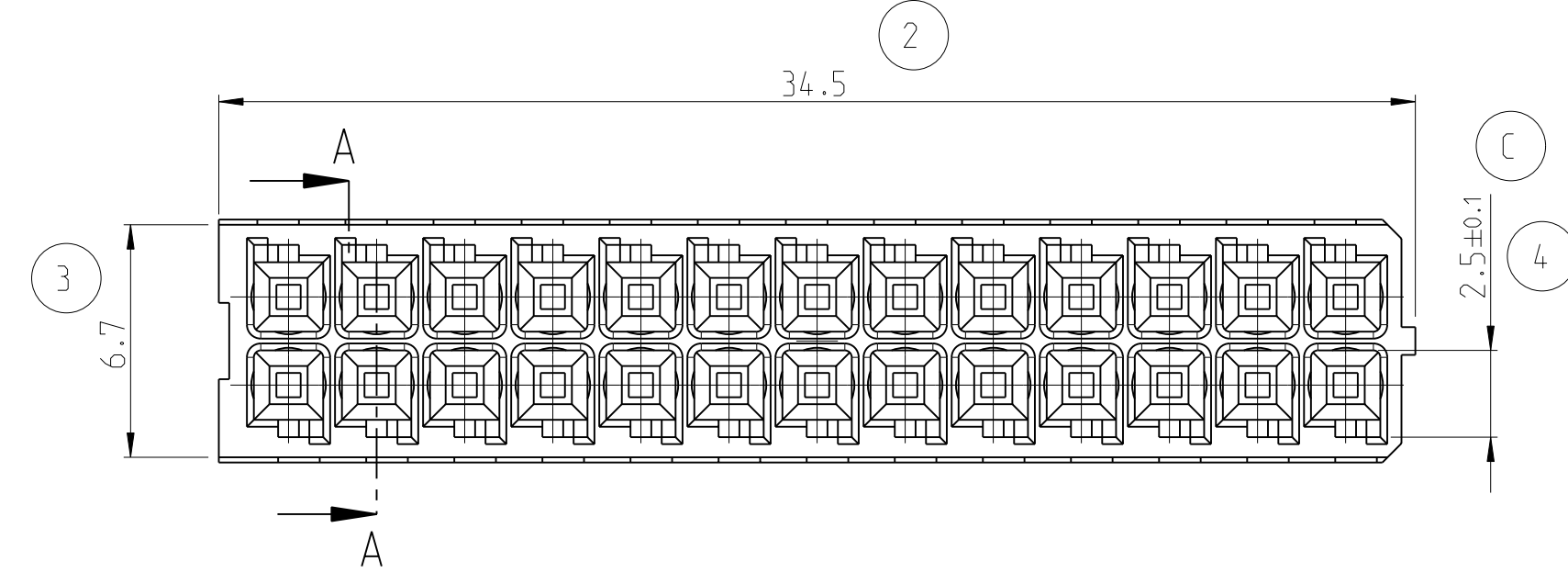
THIS DRAWING IS UNPUBLISHED.
 DIFFUSION RESTREINTE
 © COPYRIGHT 2011

RELEASED FOR PUBLICATION
 LIBRE A LA DIFFUSION
 20
 ALL RIGHTS RESERVED.
 TOUS DROITS RESERVES.

LOC	DIST	REVISIONS			
P	LTR	DESCRIPTION MODIFICATIONS	DATE	DWN DESS.	APVD APP.
F	00	C	LOGO UPDATE AND CORRECTION	21APR2011	EC XR



ECHELLE 3:1



144935-1	26 POS. MQS MODULE (MODULE MQS 26 VOIES)	BLACK (NOIR)
TE PART NUMBER (REFERENCE TE)	DESCRIPTION (DESIGNATION)	COLOR (COULEUR)

THIS DRAWING IS A CONTROLLED DOCUMENT. CE SCHEMA EST UN DOCUMENT CONTROLE.		DWN/DESSINE D. ELISEI 04MAR1993	 TE Connectivity	
DIMENSIONS: mm		CHK/VERIFIE J. LALANGE 08AVR1998		
TOLERANCES UNLESS OTHERWISE SPECIFIED: TOLERANCES NON SPECIFIEES		APVD/APPROUVE J. REVIL 08AVR1998	NAME TITRE	
±0.3		PRODUCT SPEC SPEC. PRODUIT	MODULE MQS 26 VOIES MQS 26W MODULE	
45°		APPLICATION SPEC SPEC. APPLICATION	SIZE FORMAT	
FINISH FINITION		WEIGHT MASSE APPROX.	A2	
PBT		CUSTOMER DRAWING /PLAN CLIENT	CAGE CODE 00779	
		UNIQUEMENT POUR REFERENCE	DRAWING NO No PLAN	
		SCALE ECHELLE	C=144935	
		SHEET FEUILLE	RESTRICTED TO RESERVE A	
		OF DE	REV C	