

4

3

2

1

THIS DRAWING IS UNPUBLISHED.  
VERTRAULICHE UNVEROEFFENTLICHTE ZEICHNUNG

RELEASED FOR PUBLICATION  
FREI FUER VEROEFFENTLICHUNG  
1997

MATED WITH:  
PASSEND ZU:

LOC  
AI

DIST  
-

REVISIONS  
AENDERUNGEN

P

LTR

DESCRIPTION  
BESCHREIBUNG

DATE

DWN

APVD

© COPYRIGHT 1997

BY AMP INCORPORATED. ALL RIGHTS RESERVED.  
ALLE RECHTE VORBEHALTEN

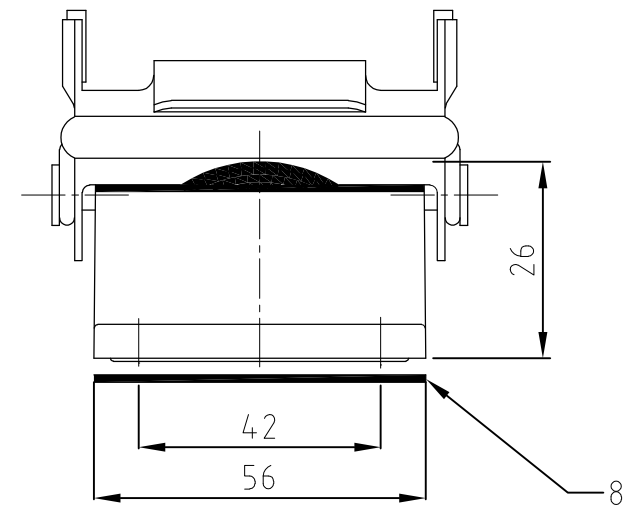
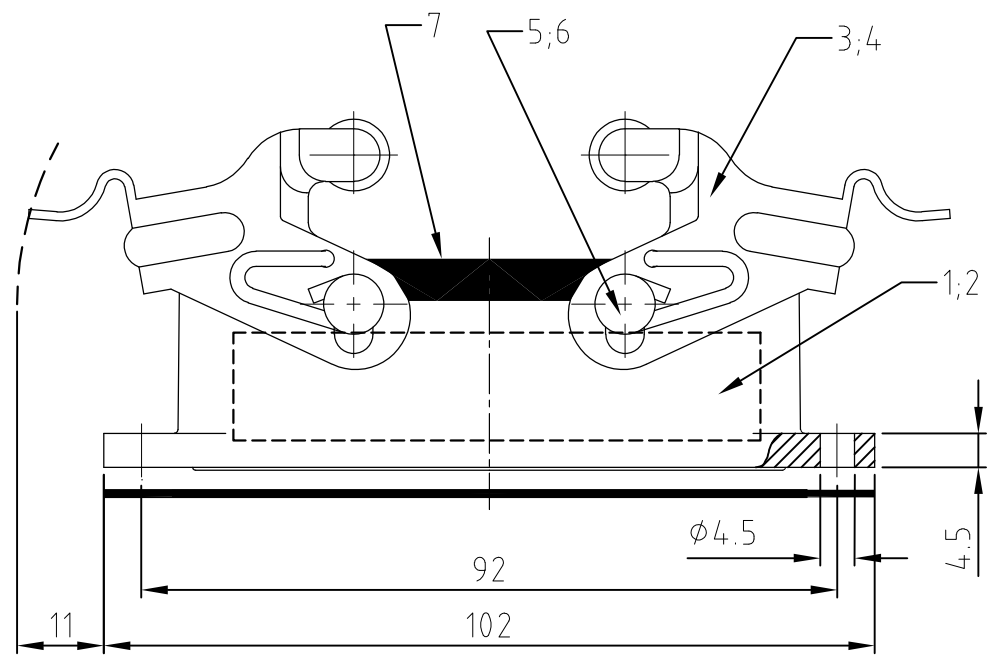
PROJEKT NR.:  
-

A3 packaging text corrected ECR-08-002560

18.01.08

SR

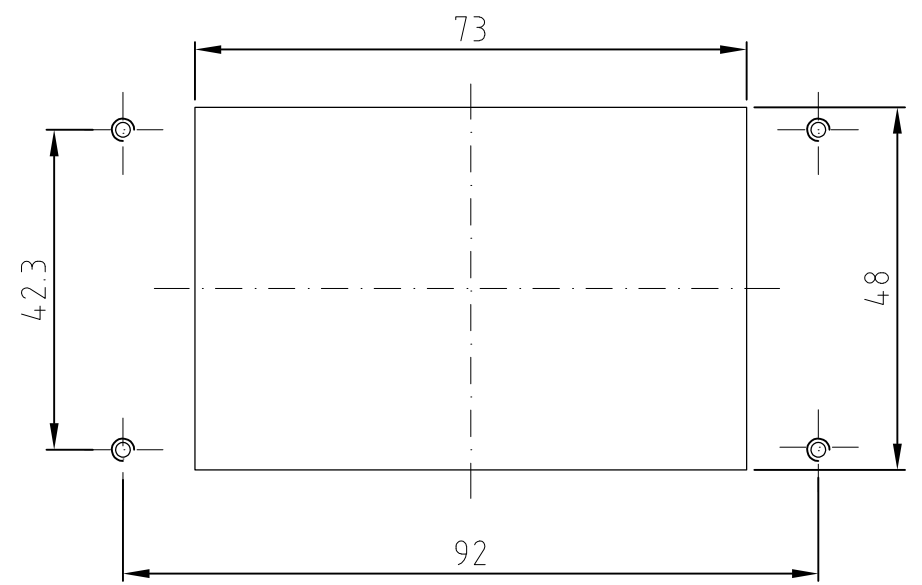
ST



NOTES:

- 1 Material: Housing: aluminium diecasting alloy  
Seals NEOPRENE
- 2 SURFACE: VARNISH - GREY  
-ALUMINIUM OXID +  
VARNISH BLACK
- 3 PACKAGING:  
PACKAGING QUANTITY: 5 PIECES
- 4 SPECIAL PACKAGING: Krauss-Maffei  
PACKAGING UNIT: 200 PIECES

Panel cut-out



1	1	1	flange seal	Neoprene		black	8	
1	1	1	profile seal	Neoprene		black	7	
	4		clip positioner	V2a			6	
4		4	clip positioner	Steel	zink plated	blue	5	
	2		locking clip	V2A			4	
2		2	locking clip	Steel	zink plated	blue	3	
	1		Surface mounted housing bottom entry	aluminium/ALU	aluminium oxid	black	2	
1		1	Surface mounted housing bottom entry	aluminium/ALU		gray	1	
0-1	2-1	1-1	DESCRIPTION	MATERIAL		SURFACE	COLOR	ITEM NO. Pos.
								NOTES

ORDERING TEXT / BESTELLTEXT

HA.32.AG-VS.KM  
HA-K.32.AG-VS  
HA.32.AG-VS

THIS DRAWING IS A CONTROLLED DOCUMENT FOR AMP INCORPORATED.  
IT IS SUBJECT TO CHANGE AND THE CONTROLLING ENGINEERING  
ORGANIZATION SHOULD BE CONTACTED FOR THE LATEST REVISION.  
DIESES ZEICHNUNGSDOKUMENT WIRD DURCH AMP INCORPORATED KONTROLLIERT.  
AENDERUNGEN, DIE DEM TECHNISCHEN FORTSCHRITT DIENEN, SIND VORBEHALTEN.  
DEN JEWEILS LETZTGUELTIGEN AENDERUNGSSTAND ERFAHREN SIE AUF ANFRAGE.

DIMENSIONS:  
DIMENSIONEN:  
mm

TOLERANCES UNLESS  
OTHERWISE SPECIFIED:  
ALLGEMEINTOLERANZEN

ISO 8015  
D. ISO 2768 - mH - E  
D. DIN 16901 - 14.0

0 PLC #  
1 PLC #  
2 PLC #  
3 PLC #

ANGLES /WINKEL #  
FINISH /OBERFLAECHE/FARBE

MATERIAL

DWN Gräf 09.10.1997  
CHK Schnurpfeil 09.10.1997  
APVD -  
PRODUCT SPEC -  
APPLICATION SPEC -  
WEIGHT GEWICHT -

**AMP** HTS Elektrotechnik  
53819 Neunkirchen, Germany

NAME  
Surface mounted housing HA. 32  
HA. 32

SIZE A3 CAGE CODE 00779 DRAWING NO ZEICHNUNGS-NR. C-1102160 RESTRICTED TO NUR FUER -

CUSTOMER DRAWING /KUNDENZEICHNUNG MASSSTAB 1:1 BLATT 1 OF VON 1 REV A3