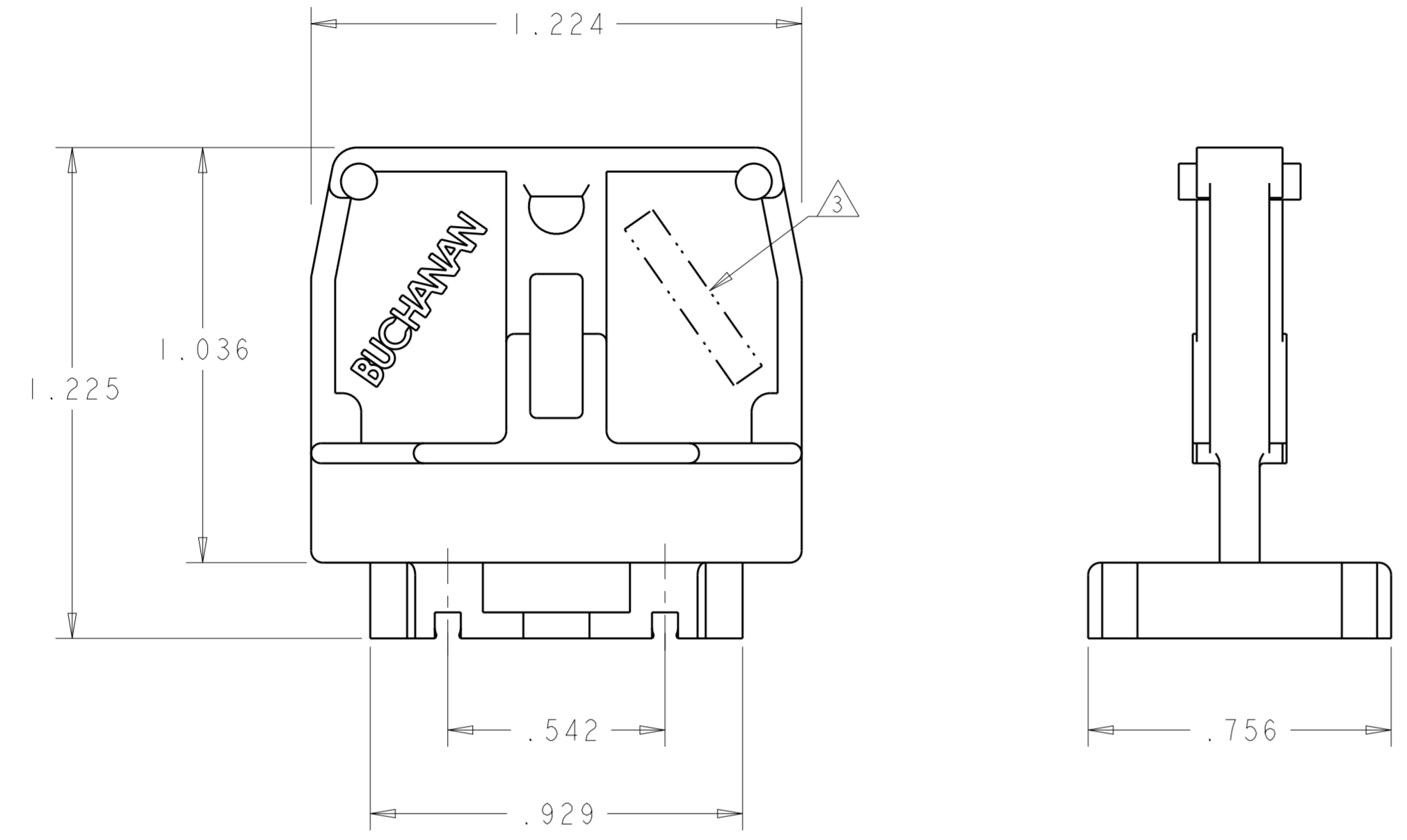
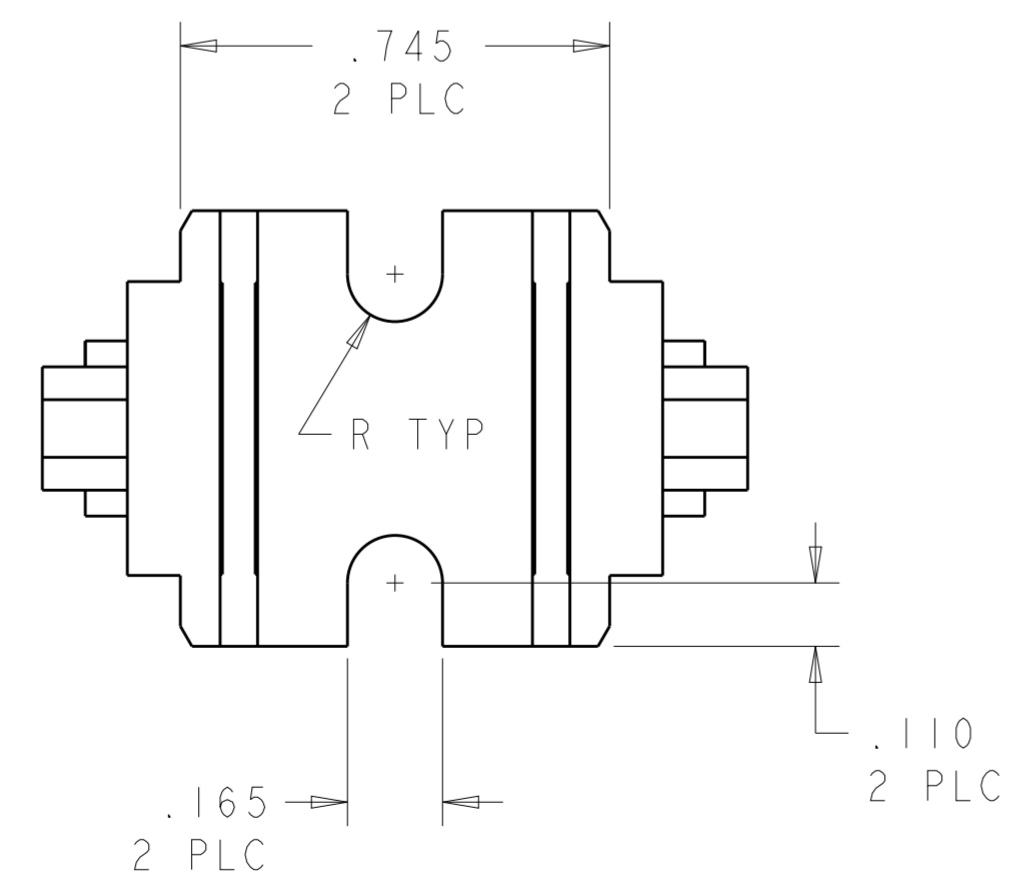


THIS DRAWING IS UNPUBLISHED. RELEASED FOR PUBLICATION 20  
 © COPYRIGHT 20 BY - ALL RIGHTS RESERVED.

LOC		DIST		REVISIONS			
P	LTR	DESCRIPTION	DATE	DWN	APVD		
FT	0	E	REVISED PER ECO-13-000447	11JAN2013	KH	MB	



- ① POLYESTER, UL 94V-0 RATED, COLOR: GRAY.
- ② SEE RESTRICTED CUSTOMER DRAWING 3-1437394-9.
- ③ TYCO ELECTRONICS LOGO LOCATED APPROXIMATELY AS SHOWN



3-1437394-9	②
1546163-1	
PART NUMBER	

THIS DRAWING IS A CONTROLLED DOCUMENT.		DWN	S. WELDON	13JUN2002	TE Connectivity						
DIMENSIONS: INCHES		CHK	S. YODER	13JUN2002							
TOLERANCES UNLESS OTHERWISE SPECIFIED:		APVD	S. YODER	13JUN2002							
0 PLC ± 1 PLC ± 2 PLC ± 3 PLC ±.010 4 PLC ± ANGLES ± FINISH		NAME		TERMINAL BLOCK, END SECTION MEDIUM DUTY, FLAT BASE							
MATERIAL		PRODUCT SPEC		APPLICATION SPEC		SIZE	CAGE CODE	DRAWING NO	RESTRICTED TO		
③		WEIGHT		CUSTOMER DRAWING		A200779	C-1546163				
						SCALE	3:1	SHEET	1 OF 1	REV	E