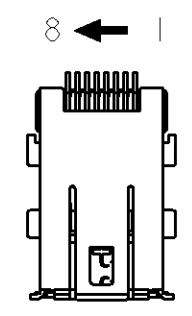


THIS DRAWING IS UNPUBLISHED. RELEASED FOR PUBLICATION
 © COPYRIGHT — ALL RIGHTS RESERVED.

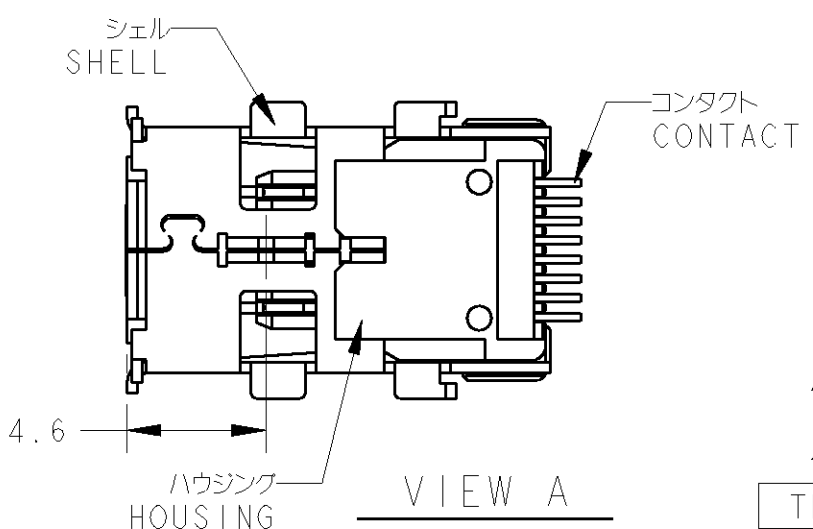
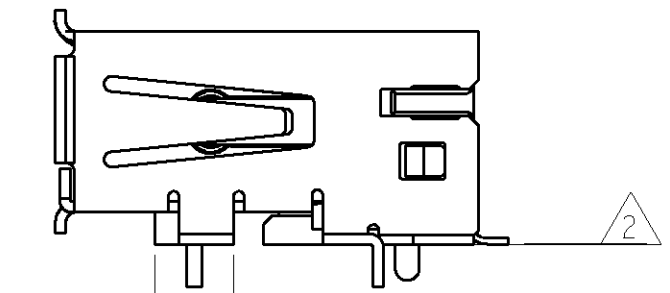
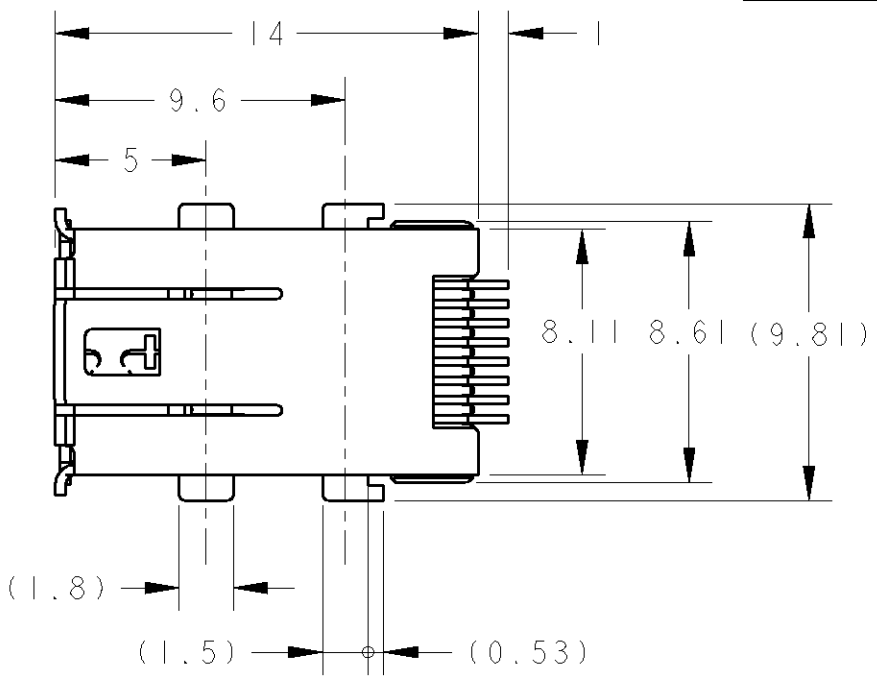
| LOC | DIST | REVISIONS | | | | | |
|-----|------|-----------|-----|---------------------------|---------|-----|------|
| | | P | LTR | DESCRIPTION | DATE | DWN | APVD |
| - | - | A2 | | REVISED PER ECO-11-005030 | 26APR11 | RK | HMR |



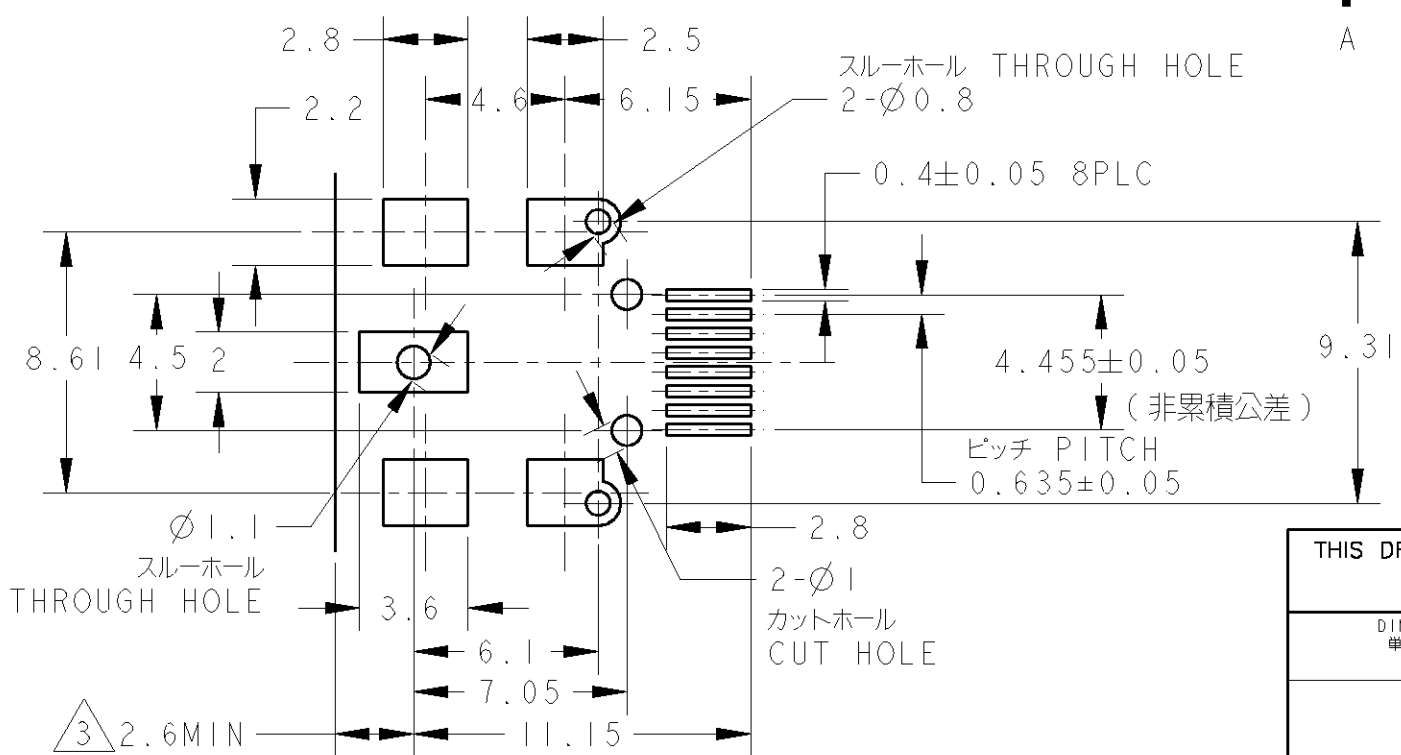
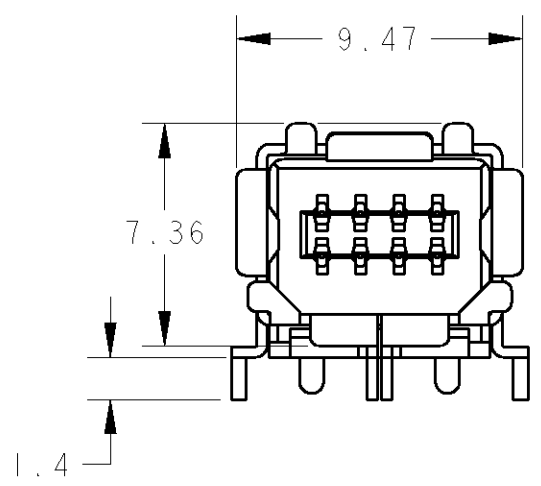
D-SHAPE TYPE 2



回路番号
CIRCUIT NO.



- 注記
- ① 材料及び仕上げ
 コンタクト
 材料: 銅合金
 全面Ni 下地めっき 1.27μmMIN
 接点部: Auめっき 0.5μmMIN
 半田付け部: Auフラッシュめっき
 ハウジング
 材料: 熱可塑性樹脂
 難燃性 UL 94V-0
 シェル
 材料: 銅合金
 全面Ni 下地めっき
 全面Snめっき
 - ② SMTリード先端部の平坦度(コプラナリティー): 0.1MAX
 - ③ 顧客決定寸法
- NOTE
- ① MATERIAL AND FINISH
 CONTACT
 COPPER ALLOY
 UNDER ALL SURFACE Ni 1.27μm MIN
 TOP CONTACT AREA Au 0.5μm MIN
 SOLDERING AREA Au FLASH
 HOUSING
 THERMO PLASTIC(UL94V-0)
 SHELL
 COPPER ALLOY
 UNDER ALL SURFACE Ni
 TOP ALL SURFACE Sn
 - ② COPLANARITY 0.1 MAX(TOP OF LEAD)
 - ③ DIMENSION DECIDED BY CUSTOMER.



推奨基板寸法(実装面側) ±1.6
 RECOMMENDED BOARD DIMENSION
 (CONNECTOR SIDE) ±1.6

| | | |
|--|-----------|----------------------------|
| THIS DRAWING IS A CONTROLLED DOCUMENT. | | DWN S. INOMATA 13NOV2007 |
| DIMENSIONS: 単位: 概 mm | | CHK I. HASEGAWA 13NOV2007 |
| TOLERANCES UNLESS OTHERWISE SPECIFIED: | | APVD I. HASEGAWA 13NOV2007 |
| 一般公差 ±0.2 | | PRODUCT SPEC 108-78405 |
| 0-PLC ± | | APPLICATION SPEC |
| 1-PLC ± | | 取付適用規格 |
| 2-PLC ± | | WEIGHT - |
| 3-PLC ± | | CUSTOMER DRAWING |
| 4-PLC ± | | |
| ANGLES ± | | |
| MATERIAL 材料 | FINISH 仕上 | |

| | | | |
|---|-----------|---------------|---------------|
| TRAY (SEE SHEET 2 OF 2) | | 1981386-1 | |
| PACKAGING STYLE | | PART NO. | |
| TE TE Connectivity | | | |
| NAME 名称 INDUSTRIAL MINI I/O CONN. 1.27MM PITCH 8P HDR ASSY D-SHAPE TYPE 2 | | | |
| SIZE | CAGE CODE | DRAWING NO 番号 | RESTRICTED TO |
| A3 | - | 1981386 | - |
| SCALE 尺度 4:1 | | SHEET 1 OF 2 | REV A2 |

4

3

2

1

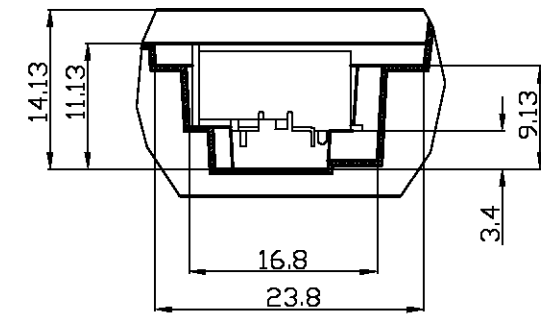
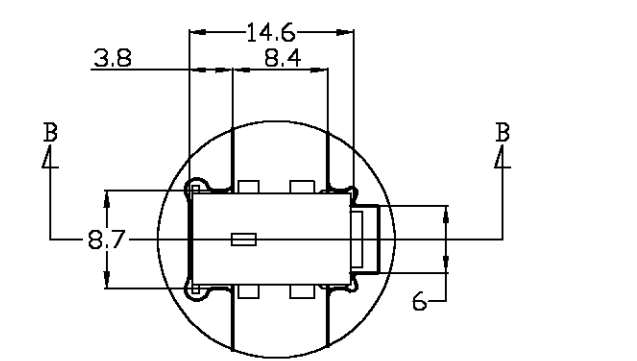
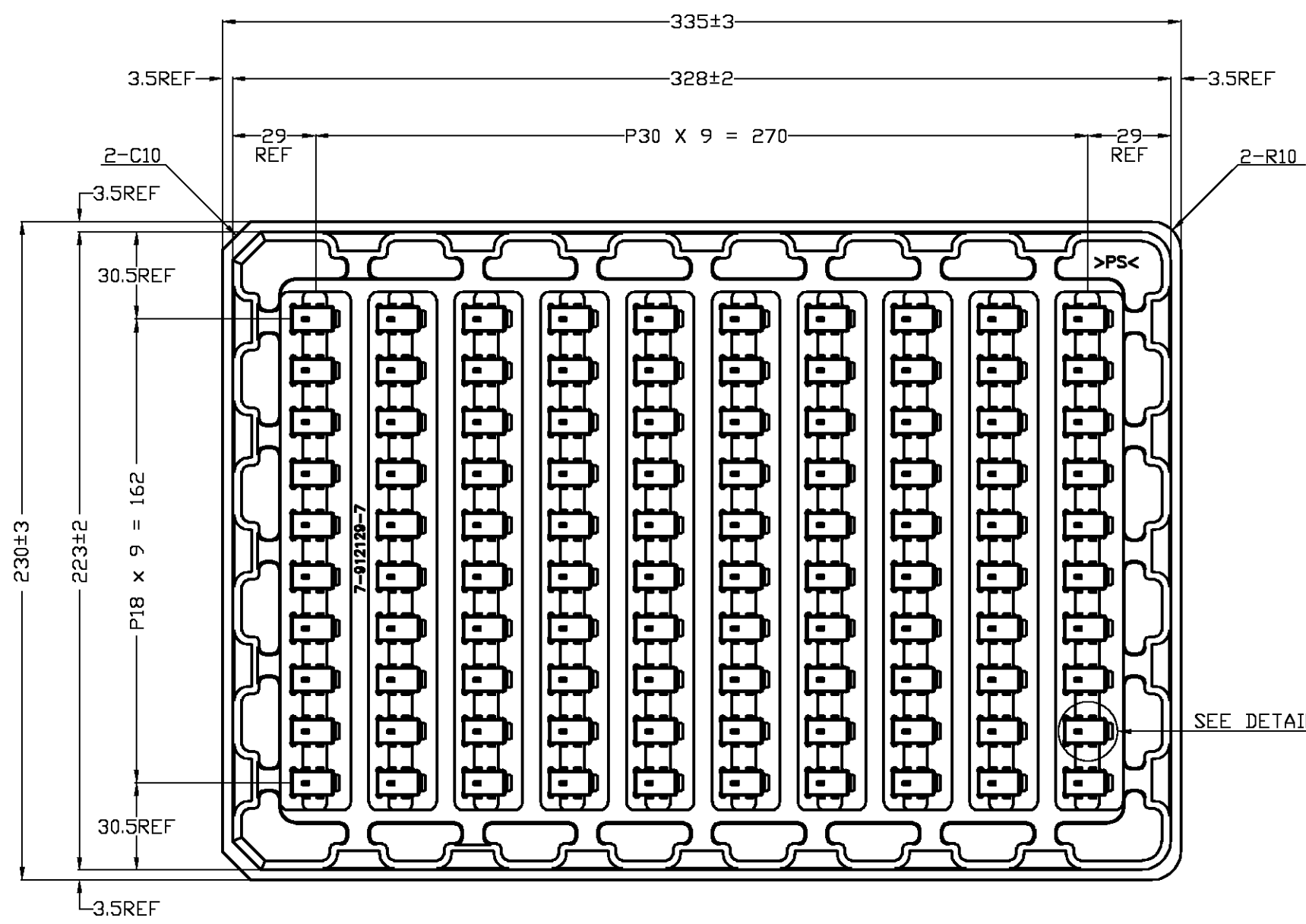
THIS DRAWING IS UNPUBLISHED.

RELEASED FOR PUBLICATION

ALL RIGHTS RESERVED.

© COPYRIGHT


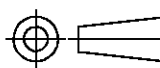
| LOC | DIST | REVISIONS | | | | | |
|-----|------|-----------|-----|-------------|------|-----|------|
| | | P | LTR | DESCRIPTION | DATE | DWN | APVD |
| - | - | - | - | SEE SHEET 1 | - | - | - |



-1: 本図
1-: AS SHOWN

注記
 △トレー材質: ポリスチレン
 5 製品入り数: 100 / 1トレー

NOTE
 △TRAY MATERIAL: POLYSTYRENE
 5 PRODUCT QUANTITY: 100 / 1TRAY

| | | | | |
|---|--|-------------------------------------|---|------------------|
| THIS DRAWING IS A CONTROLLED DOCUMENT. | | DWN SEE SHEET 1 |  TE Connectivity | |
| DIMENSIONS: 単位: 耗 mm | | CHK SEE SHEET 1 | | |
| TOLERANCES UNLESS OTHERWISE SPECIFIED: 一般公差 ±0.5 | | APVD SEE SHEET 1 | NAME 名称 INDUSTRIAL MINI I/O CONN. 1.27MM PITCH 8P HDR ASSY D-SHAPE TYPE 2 | |
|  | | PRODUCT SPEC 製品規格 SEE SHEET 1 | DRAWING NO 番号 C-1981386 | |
| MATERIAL 材料 △ | | FINISH 仕上 - | APPLICATION SPEC 取付適用規格 - | RESTRICTED TO |
| WEIGHT - | | SIZE A3 | CAGE CODE - | SCALE 尺度 NONE |
| CUSTOMER DRAWING | | SHEET 2 OF 2 | | REV A2 |