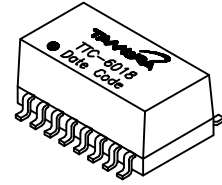




# T1/CEPT/ISDN-PRI Transformer 16 pin SOIC

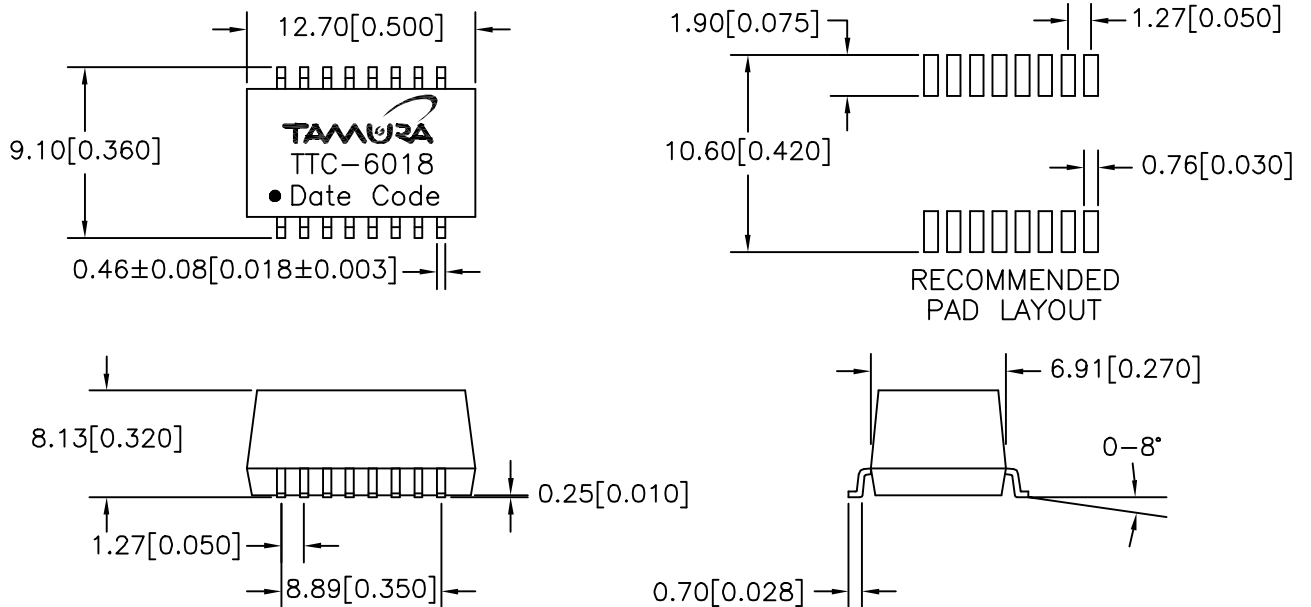
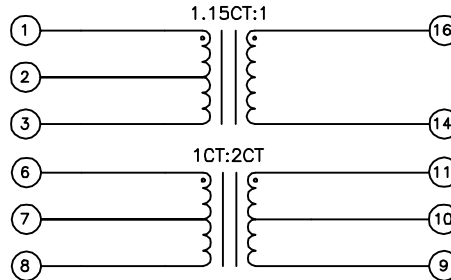


MODEL NUMBER

TTC-6018

- Complies with UL1950 3rd Edition, UL60950
- Surface Mount Device withstands IR reflow profile process
- Operating temperature: 0°C to 70°C

Electrical Specification @ 25°C					
DCR (Ω Max)		OCL (mH Min)	Hipot (Vrms)	Leakage L (μH Max)	Cww (pF Max)
(16-14) (6-8) (1-3)	(11-9)	10KHz 0.1Vrms (16-14) (6-8)	1 minute	100KHz 0.1Vrms (16-14) w/(1-3) shorted (6-8) w/(11-9) shorted	100KHz 0.1Vrms
0.7	1.2	1.2	1500	0.6	30



NOTE: Unless otherwise specified, all dimensions are mm[in] with tolerance of ±0.25[0.010]

PREPARED BY:

D. Rund

ENGINEER:

L. Le

QUALITY CONTROL:

D. Kelley

APPROVED:

J. Coleman

DWG CONTROL NO.  
P-A1-12814  
ACAD\TTC\A1128141.DWG

REV  
PRE

Isolation Transformer  
16 pin SOIC

**TAMURA CORPORATION OF AMERICA**  
43352 BUSINESS PARK DRIVE, TEMECULA, CA. 92590-6624  
(909) 699-1270 FAX 9096769482

**TTC-6018**

MODEL SPECIFICATION

DIM: mm(in) SCL: none SH: 1 OF 1

PROPRIETARY NOTICE: THIS DRAWING PRINT OR DOCUMENT AND SUBJECT MATTER DISCLOSED HEREIN ARE PROPRIETARY ITEMS TO WHICH TAMURA RETAINS THE EXCLUSIVE RIGHT OF DISSEMINATION, REPRODUCTION, MANUFACTURE AND SALE. THIS DRAWING, PRINT OR DOCUMENT IS SUBMITTED IN CONFIDENCE FOR CONSIDERATION BY THE RECIPIENT ALONE UNLESS PERMISSION FOR FURTHER DISCLOSURE IS EXPRESSLY GRANTED IN WRITING.