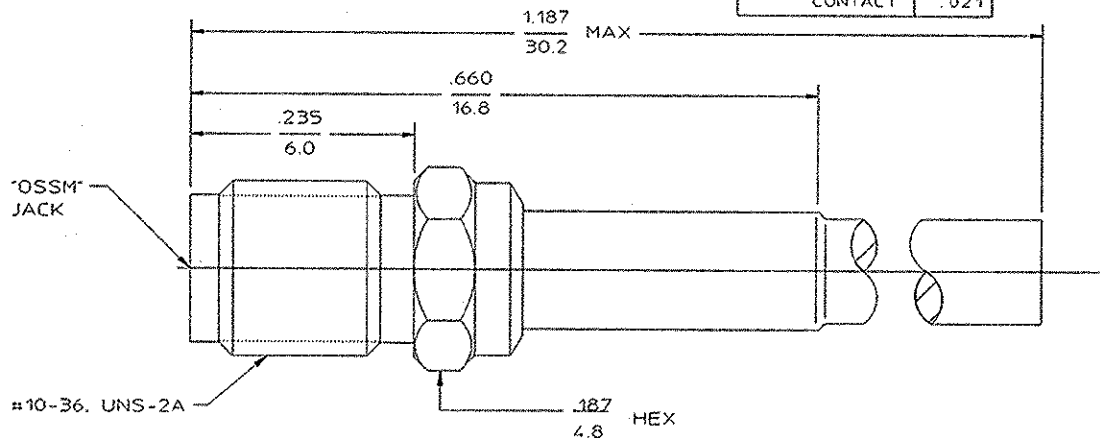


DESIGNED FOR USE WITH	
RG-138/U, RG-179/U	
CABLE ENTRY DIAMETER	MINIMUM
FERRULE	.111
HOUSING	.066
CONTACT	.021

REVISIONS			
REV	DESCRIPTION	DATE	APPROVED
04 ₁	REVISED	K.LE 11-14-96	POV 11/15/96



ELECTRICAL	MECHANICAL	ENVIRONMENTAL	COMPONENT	MATERIAL	FINISH
Nominal Impedance (Ohms) 50 Frequency Range (GHz) DC to 3 Volt Rating (VRMS MAX) @ Sea Level 250 VSWR 1.07 @ .015(GHz) Insertion Loss (dB MAX) .04√f(GHz) RF Leakage (dB MIN) -190-(fGHz) Corona, 70,000 Ft (VRMS MIN) 190 Dielectric Withstanding Voltage (VRMS MIN) @ Sea Level 750 Contact Resistance (Milliohms MAX) Center Contact 4.0 Outer Contact 2.0 Cable to Housing 0.05 RF High Potential @ Sea Level (VRMS MIN @ 5 MHz) 500 I.R.(Megohms MIN) 5,000	Interface Dimensions MIL-STD-376A, Fig. 319-2 Recommended Mating Torque 7-10 IN-LBS Mating Characteristics: Insertion (MAX Lbs) 3.0 Withdrawal (MIN Oz) 1.0 Force to Engage and Disengage (In-Lbs MAX) 2.0 Center Contact Captivation Axial (Lbs) 4.0 Radial (In-Oz) N/A Cable Retention Axial Force (Lbs) 6.0 Torque (In-Oz) N/A Weight (Grams) TBD	Temperature Rating -65 TO +125°C Vibration MIL-STD-202, Method 204, Condition D Shock MIL-STD-202, Method 213, Condition I Thermal Shock MIL-STD-202, Method 107, Condition B, Except High Temp +85°C Moisture Resistance MIL-STD-202, Method 106 Corrosion - MIL-STD-202, Method 101, Condition B, 5% salt spray .XXX = in XX.X = mm (REF)	HOUSING DIELECTRIC CENTER CONTACT COMPONENT	STAINLESS STEEL PER ASTM-A484 AND ASTM- A582, TYPE 303 TPE FLUOROCARBON PER ASTM-D-1457 BERYLLIUM COPPER PER ASTM-B-196 OR ASTM-B-197, ALLOY C17300, CONDITION H MATERIAL	GOLD PLATE PER MIL-G-45204 N/A GOLD PLATE PER MIL-G-45204 FINISH
			UNLESS OTHERWISE SPECIFIED DIMENSIONS ARE IN INCHES FRAC. DEC ANGLES 1/64 1.005 ° °	DRAWN BY LOB DATE 3-21-69 CHECKED BY PG 3-21-69 APP'D BY DNANA 3-21-69	M/A-COM <i>an AMP company</i> M/A-COM, Inc. Waltham, MA 02254
			USE ASSY PROCEDURE NO. AP-10-012	TITLE OSSM STRAIGHT CABLE JACK SOLDER ATTACHMENT	
			SIZE B SCALE 8:1	CODE IDENT NO 26805 1032-5002-00	REV 04 ₁ SHEET 1 OF 1

CUSTOMER

Tyco PART # 1045497
 SHEET 1 of 1 REV 0

NOT THE LATEST REVISION