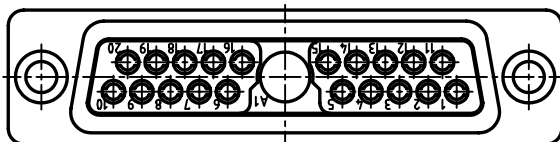
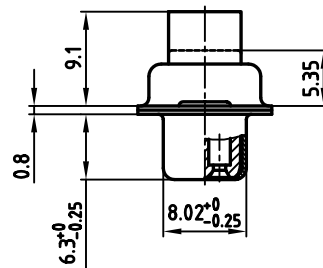
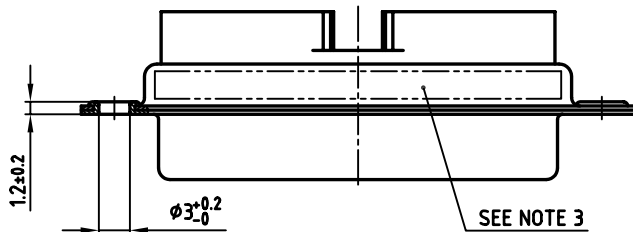
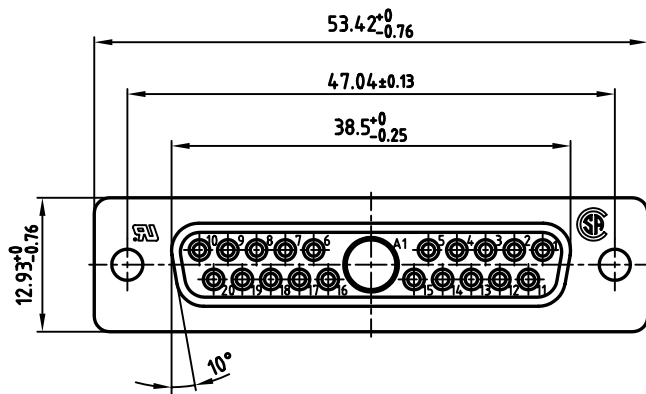


used for: D-SUB COMBINATION CRIMP



NOTES:

- METALSHELLS: STEEL; min. 320µ" TIN
- INSULATORS: PBT GF UL 94 V-0, BLACK
- CONNECTOR IS PART MARKED: 3021W1SXK99A10X CONEC ABC
- = CHECK DIMENSION

Directive 2002/95/EC
„RoHS“
Compliant

APPROVAL * FREIGABE * DEBLOCAGE * AUTORIZACION * APPROVAL	
CUSTOMER APPROVAL DATE:	
NAME:	TITLE:
COMPANY NAME:	
APPROVAL * FREIGABE * DEBLOCAGE * AUTORIZACION * APPROVAL	

THIS DRAWING MAY NOT BE COPIED OR REPRODUCED IN ANY WAY, AND MAY NOT BE PASSED ON TO A THIRD PARTY, WITHOUT WRITTEN PERMISSION. OWNERSHIP AND COPYRIGHT OF CONEC GmbH. DO NOT ALTER CAD DRAWING BY HAND

rev.	description	date	name

tolerance		dim. in mm
2004	date	
drawn	02.12.	name
appd.	02.12.	Mickenbecker
norm		
d-old		

scale: 2:1	
material: SEE NOTES	
title: D-SUB COMBINATION FEMALE 21W1S CRIMP-STYLE	
dwg no: AutoCAD 2004	DIN-A
13K1A1273	
part no: 3021W1SXK99A10X	
3 sh: 1/1	