

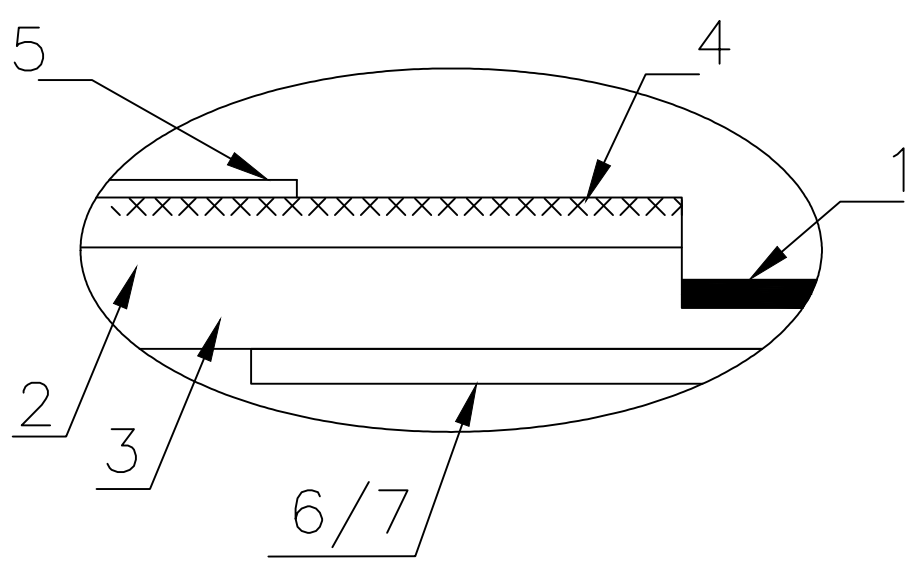
Grounding area

PART NO.	CKTS	LENGTH
15022-0280	80	2"
15022-0480	80	4"
15022-0680	80	6"
15022-0880	80	8"
15022-1080	80	10"
15022-1280	80	12"
15022-2480	80	24"

**CABLE ENDS COMPATIBLE WITH MOLEX 501786 & 501864 CONNECTORS.
USE WITH PLUG JACKET AND COVER.**

COMPOSITION:

Item	COMPONENTS	UNITS	SPECIFICATIONS
1	Conductor	Material	- Gold plated contacts (0.3µm Ni/0.05µm Au min)
		Width	mm 0.23 mm nominal
		Thickness	mm 0.055 mm nominal
2	Insulation tape	Material	- Polyester+flame retardant adhesive insulation
		Thickness	mm 0.100 mm nominal
3	Insulation tape	Material	- Polyester+flame retardant adhesive insulation
		Thickness	mm 0.100 mm nominal
4	Aluminum tape	Material	- Polyester/Aluminium/Adhesive
		Thickness	mm 0.119 mm nominal
5	Insulation tape	Material	- Polyester + FR adhesive insulation
		Thickness	mm 0.043 mm nominal
6,7	Reinforcement Tape	Material	- Blue Polyester
		Thickness	mm 0.155 mm nominal



DIMENSIONS:

ITEMS	MARK	NOMINAL	MINIMUM	MAXIMUM
Number of conductors		80	80	80
Pitch	[mm] P	0.50 ± 0.05	0.45	0.55
Span	[mm] E	39.50 ± 0.06	39.44	39.56
Total width cable body	[mm] C	44.5 ± 0.2	44.3	44.7
Punched total width	[mm] W1	42.10 ± 0.04	42.06	42.14
Punched width	[mm] W2	40.5 ± 0.05	40.45	40.55
Margin notched	[mm] M	1.30 ± 0.06	1.24	1.36
End thickness	[mm] T	0.30 ± 0.03	0.27	0.33
Thickness grounding area	[mm] A	0.50 ± 0.05	0.45	0.55
Reinforcement length	[mm] F1,F2	7.7 ± 1.5	6.2	9.2
Strip length	[mm] S1,S2	1.9 ± 0.5	1.4	2.4
Grounding length	[mm] G1,G2	6 ± 2	4	8

DIMENSIONAL TOLERANCES		DIMENSIONAL TOLERANCES	
45 mm TO 60 mm	±2 mm	1.772 TO 2.400	±0.079
61 mm TO 100 mm	±3 mm	2.401 TO 3.975	±0.119
101 mm TO 200 mm	±4 mm	3.976 TO 7.912	±0.157
201 mm TO 1500 mm	±5 mm	7.913 TO 59.055	±0.197

CHARACTERISTICS

ITEMS	VALUE	TEST METHOD
Resistance of conductor at 20°C	1950 Ohm/km maxi	-
Insulation resistance (Conductor to conductor)	10 MOhm.m mini	200 V DC
Dielectric test (Conductor to conductor)	1 minute	200 V AC
Temperature rating	-40°C to 80°C	UL2896
Voltage rating	30 V AC maxi	
Flame resistance	VW-1	UL758
Differential impedance	100 Ω ± 10 Ω	-
Speed L: 2"-10"	5-10 Gigabits/sec	-
Speed L: 12"-24"	2-5 Gigabits/sec	-

INITIAL RELEASE EC NO: USW2016-0198 DRWN: MD 2016/02/24	QUALITY SYMBOL	GENERAL TOLERANCES (UNLESS SPECIFIED)		DIMENSION STYLE INCH [MM]		SCALE NONE	DESIGN UNITS METRIC	THIRD ANGLE PROJECTION		
	▼=0	mm	INCH	DRAWN BY MDIGGIKA	DATE 2016/02/25	TITLE LVDS CKTS 80				
	∇=0	4 PLACES ±---	±---	CHECKED BY	DATE					
		3 PLACES ±---	±---	APPROVED BY		DATE	Molex MOLEX INCORPORATED		SHEET NO. 1 OF 1	
		2 PLACES ±---	±---	MATERIAL NO. SEE CHART		DOCUMENT NO. SD-15022-080				
A	1 PLACE ±---	±---	ANGULAR ±1°		THIS DRAWING CONTAINS INFORMATION THAT IS PROPRIETARY TO MOLEX INCORPORATED AND SHOULD NOT BE USED WITHOUT WRITTEN PERMISSION					