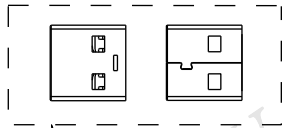
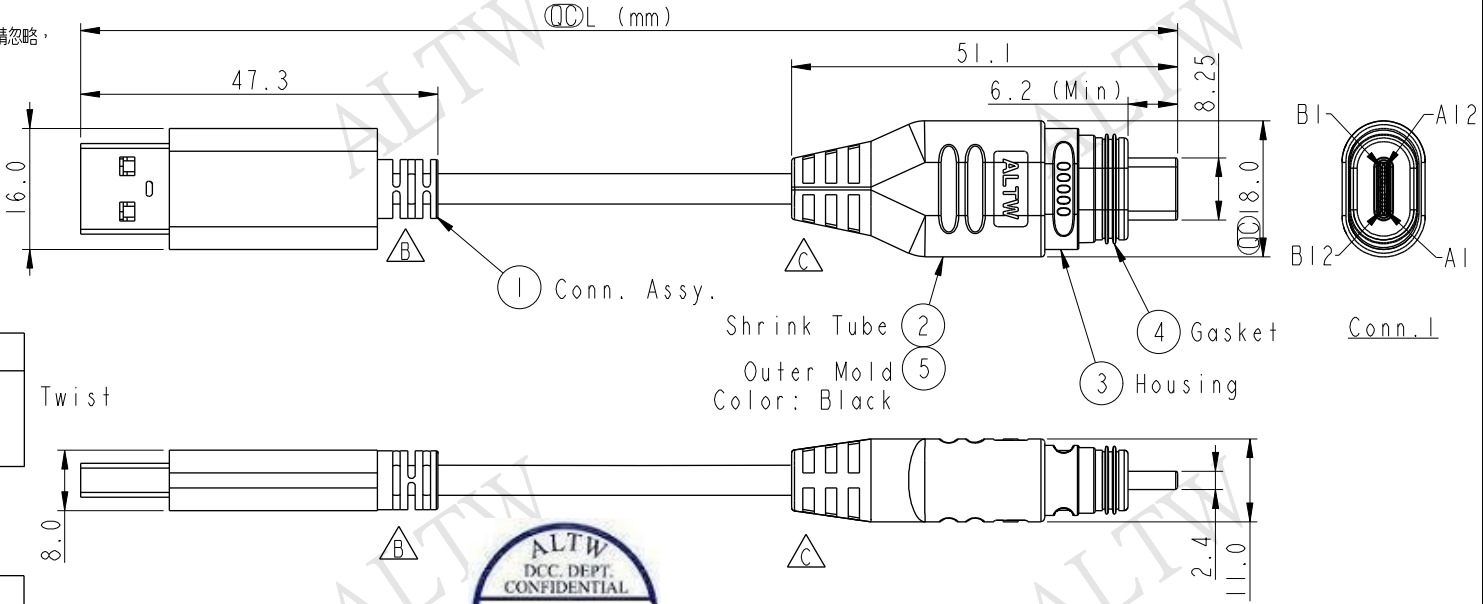
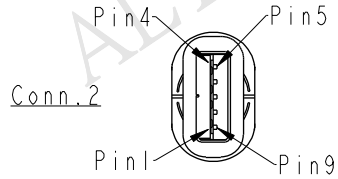


THIS DOCUMENT IS SUBJECT TO CHANGE WITHOUT NOTICE. IT IS CONFIDENTIAL AND A PROPERTY OF Amphenol LTW. DISCLOSURE TO THIRD PARTY HAS TO BE AUTHORIZED BY Amphenol LTW.

REV.	ECN NO.	DATE	SIGN	DESCRIPTION
A	Initial release	2016/05/18	Doreen	New item
B	LEN16B0032	2016/10/14	Cheng	Update SR of Conn.2 and note
C	LEN1781130	2017/08/15	Neo	Change Conn.1 SR



Ⓞ Type A 金屬外殼結合縫外觀樣式非QC重點，請忽略，
 △ Type A 除此部分，外觀尺寸大小皆須符合圖面



Shield	Braid	編織	Shield
9	Blue	藍	B11
8	White	白	B10
7	Drain	地線	B12
			B1
			A12
			A1
6	Drain	地線	B12
			B1
			A12
			A1
5	Blue	藍	A2
4	White	白	A3
4	Drain	地線	B12
			B1
			A12
3	Green	綠	A1
			A6
			A7
2	White	白	B9
			B4
			A9
			A4
1	Red	紅	
Conn.2	Wire Color		Conn.1
Pin Out			

Jump Wire

Part Number: UC-30AMM-QD8BXX
 Cable length--XX: 01~03 Meters
 01: 1 Meter
 02: 2 Meters
 03: 3 Meters
 Cable Length tolerance: 1~3M±50mm



- Note:
- * Ⓞ Important Dimension
 - * Conn.1: USB Type C, Plug
 - * Housing: PP, UL94 V-0, Black
 - * Gasket: Silicone, Black △
 - * Waterproof Rate: IP68(Mated)(under water ,1M 24H)
 - * Conn.2: USB Type A 3.0, Plug
 - * Non-waterproof.
 - * Cable: (USB3.0) (30AWG*2C+D+A1/My)*2+32AWG*IP +23AWG*1C+D+A1/My+B,PVC Jacket, OD=4.0mm, Black

A	UNIT:mm	TITLE USB TYPE C TO USB 3.0 TYPE A PLUG		ITEM NO	DRAWN BY Neo	DATE 2017/08/15
	TOLERANCE ±0.5	SCALE 1:1	SIZE A4	DWG NO UC-30AMM-QD8BXX	CHECKED BY Kris	DATE 2017/08/15
		REV. C	WC-REV. A.27	CUSTOMER ALTW	APPROVED BY Max	DATE 2017/08/15

Amphenol LTW
 安費諾亮泰企業股份有限公司