

NOTES:

1. MATERIAL:

HOUSING - LCP, GLASS FILLED, UL94-V0, COLOR: BLACK  
POWER PIN - COPPER ALLOY

2. FINISH OPTION:

TIN - 0.76µm MINIMUM GOLD AT CONTACT AND  
2.54µm MINIMUM TIN AT SOLDER TAIL AREA OVER  
1.27µm MINIMUM NICKEL UNDERPLATE OVERALL.  
TIN-LEAD - 0.76µm MINIMUM GOLD AT CONTACT AND  
2.54µm MINIMUM TIN-LEAD AT SOLDER TAIL AREA OVER  
1.27µm MINIMUM NICKEL UNDERPLATE OVERALL.

3. PRODUCT SPECIFICATION: PS-78213-001.

4. PACKAGING SPECIFICATION: PK-782642-001.

5. MATES WITH 78247-\*\*\*\* & 78212-\*\*\*\*.

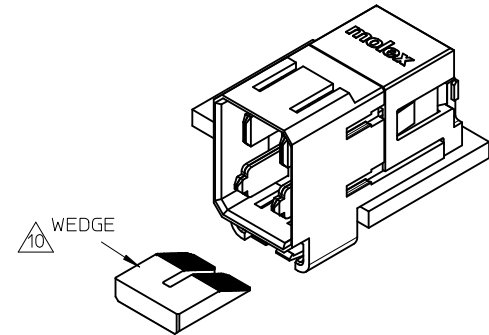
6. REFER TO SHEET 3 FOR RECOMMENDED PCB LAYOUT.

7. REFER TO MOLEX PRODUCT SPECIFICATION PS-78213-001 FOR PLATED THROUGH-HOLE SPECIFICATIONS.

8. PART NUMBER AND DATE CODE (YYDDD) APPROXIMATELY SHOWN.

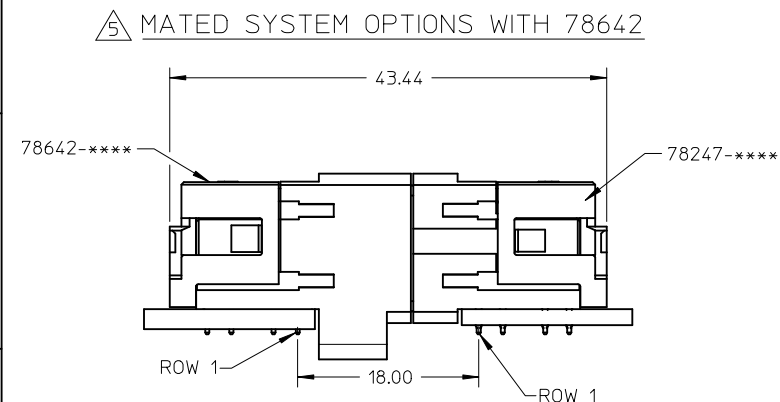
9. KEEP OUT ZONE FROM OTHER COMPONENTS.

10. THIS CONNECTOR IS SHIPPED WITH A STUB. THIS STUB SHALL BE INSERT INTO THE CONNECTOR ONLY AFTER IT IS PRESS FITTED ONTO PCB.

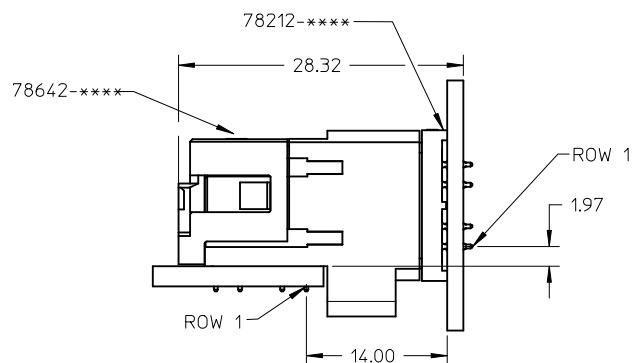


RELEASED EC NO: S2012-0660 DRWN:CTCHO CHKD: LNG APPR: SHONG 2012/02/28 2012/02/28 2012/03/22	QUALITY SYMBOLS $F_A=0$ $F_G=0$ $F_P=0$	GENERAL TOLERANCES (UNLESS SPECIFIED)		DIMENSION STYLE MM ONLY		SCALE NTS	DESIGN UNITS METRIC	THIRD ANGLE PROJECTION	
		4 PLACES ± --- ± --- 3 PLACES ± --- ± --- 2 PLACES ± 0.25 ± --- 1 PLACE ± --- ± ---	mm INCH ± --- ± --- ± 0.25 ± --- ± --- ± ---	DRAWN BY CTCHO	DATE 2012/02/28	TITLE IMPACT POWER, 3 PAIR RIGHT ANGLE HEADER PRESS-FIT, W LOCK			
		ANGULAR ± 1 °		CHECKED BY LNG	DATE 2012/02/28	MOLEX INCORPORATED			
		DRAFT WHERE APPLICABLE MUST REMAIN WITHIN DIMENSIONS		APPROVED BY SHONG	DATE 2012/03/22	MATERIAL NO. SEE TABLE	DOCUMENT NO. SD-78642-001	SHEET NO. 1 OF 2	

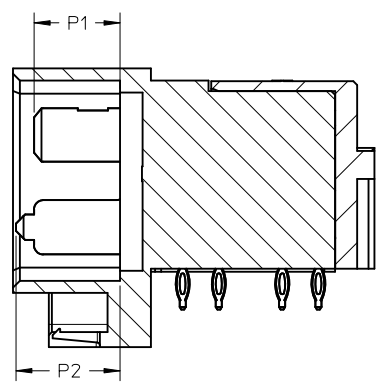
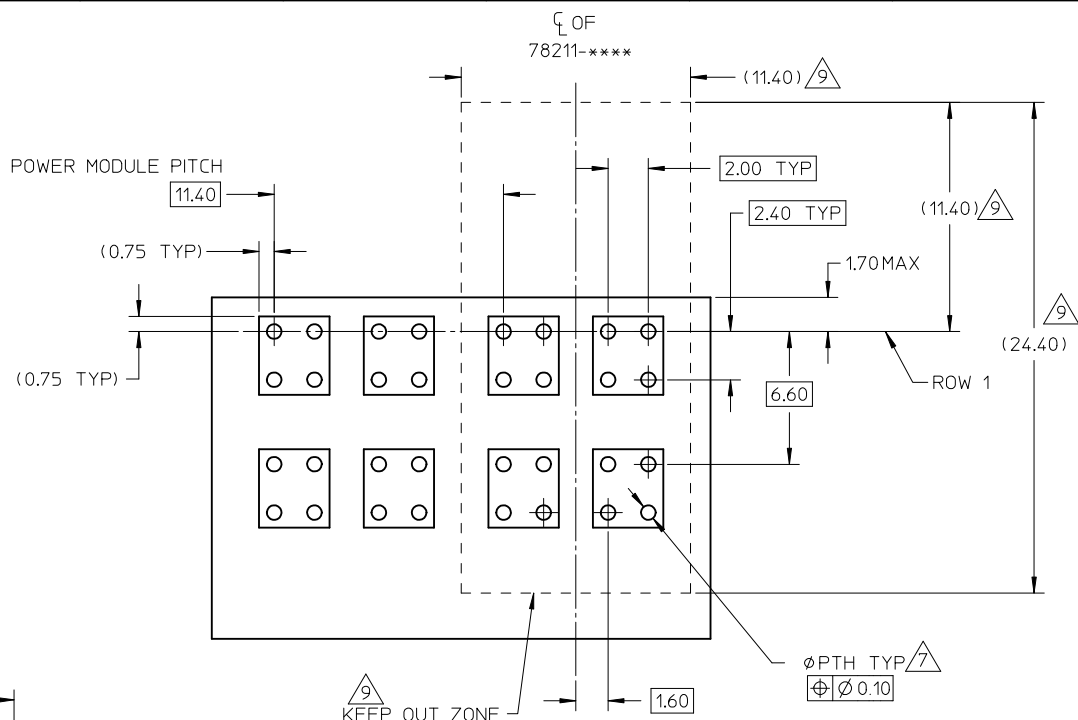
10	9	8	7
PART NUMBER	P1 (APPLIES TO B1 & B2)	P2 (APPLIES TO A1 & A2)	PACKAGING
78642-1011	6.90	6.90	TRAY
78642-1022	5.70	5.70	
78642-1033	6.90	5.70	
78642-1044	5.70	6.90	



RIGHT ANGLE HEADER (78642) & RIGHT ANGLE RECEPTACLE (78247)



RIGHT ANGLE HEADER (78642) & VERTICAL RECEPTACLE (78212)



<b>RELEASED</b> EC NO: S2012-0660 DRWN:CTCHO 2012/02/28 CH'KD:JLNG 2012/02/28 APPR:SHONG 2012/03/22	QUALITY SYMBOLS $\nabla = 0$ $\nabla = 0$ $\nabla = 0$	GENERAL TOLERANCES (UNLESS SPECIFIED) <table border="1"> <thead> <tr> <th></th> <th>mm</th> <th>INCH</th> </tr> </thead> <tbody> <tr> <td>4 PLACES</td> <td>± ---</td> <td>± ---</td> </tr> <tr> <td>3 PLACES</td> <td>± ---</td> <td>± ---</td> </tr> <tr> <td>2 PLACES</td> <td>± 0.25</td> <td>± ---</td> </tr> <tr> <td>1 PLACE</td> <td>± ---</td> <td>± ---</td> </tr> </tbody> </table>		mm	INCH	4 PLACES	± ---	± ---	3 PLACES	± ---	± ---	2 PLACES	± 0.25	± ---	1 PLACE	± ---	± ---	DIMENSION STYLE <b>MM ONLY</b>	SCALE <b>NTS</b>	DESIGN UNITS <b>METRIC</b>	THIRD ANGLE PROJECTION
		mm	INCH																		
	4 PLACES	± ---	± ---																		
	3 PLACES	± ---	± ---																		
	2 PLACES	± 0.25	± ---																		
1 PLACE	± ---	± ---																			
DRAFT WHERE APPLICABLE MUST REMAIN WITHIN DIMENSIONS	DRAWN BY CTCHO CHECKED BY LNG APPROVED BY SHONG	DATE 2012/02/28 DATE 2012/02/28 DATE 2012/03/22	TITLE <b>IMPACT POWER, 3 PAIR          RIGHT ANGLE HEADER          PRESS-FIT, W LOCK</b>	MATERIAL NO. <b>SEE TABLE</b>	DOCUMENT NO. <b>SD-78642-001</b>	SHEET NO. <b>2 OF 2</b>															
THIS DRAWING CONTAINS INFORMATION THAT IS PROPRIETARY TO MOLEX INCORPORATED AND SHOULD NOT BE USED WITHOUT WRITTEN PERMISSION																					