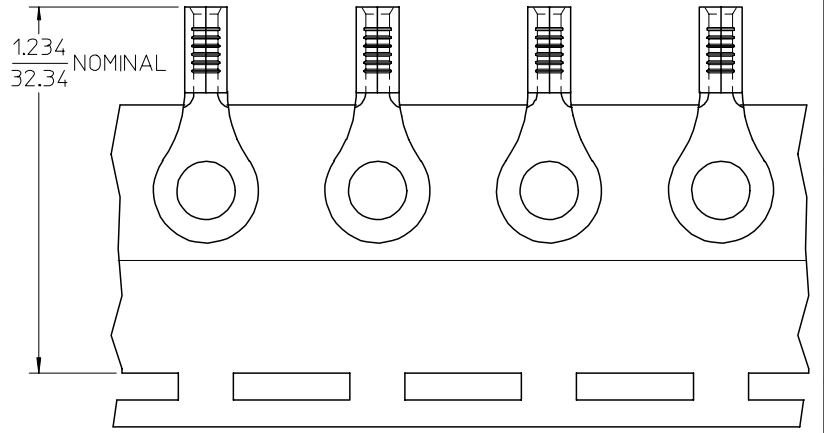
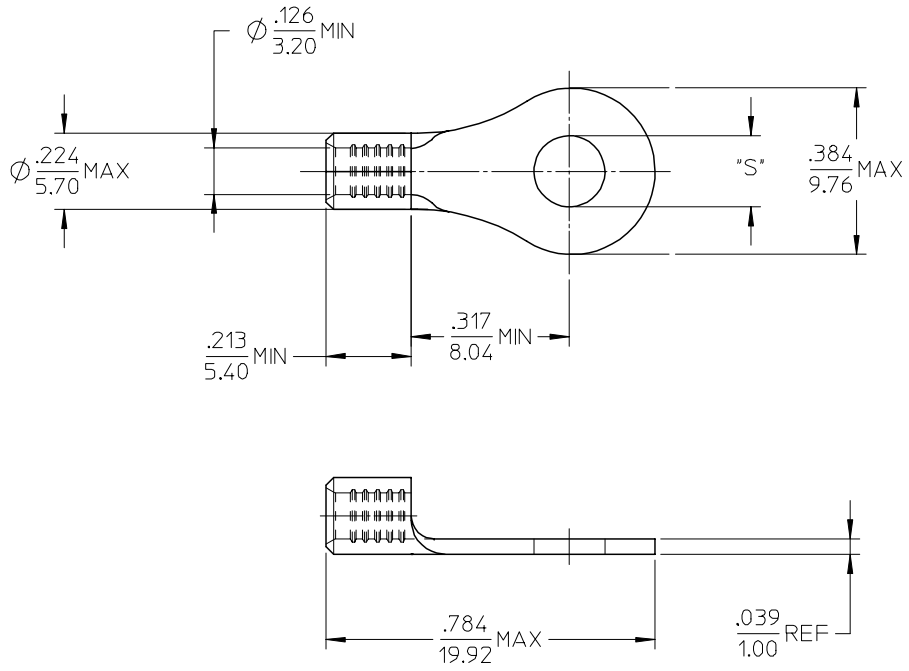


MATERIAL NO.	ENG. NO.	STUD SIZE	"S" MAX	DESCRIPTION
192030389	C-S-128-10	10	.212/5.38	LOOSE
192030094	C-S-128-10T	10	.212/5.38	TAPE



PARTS ON TAPE

NOTE(S):

- MATERIAL: STEEL
- WIRE SIZE: 12-10 AWG (4.0-6.0 MM²)
- FINISH: NICKEL PLATING
- PART IS ROHS COMPLIANT.
- AMBIENT OPERATING TEMPERATURE UP TO 900 °F (483 °C).

ADDED OPERATING TEMP EC NO: ETC2007-0297 DRW: DRWNEHLE 2007/03/13 CHKD: JMAGNEIL 2007/03/13 APPR: JMAGNEIL 2007/03/14	QUALITY SYMBOLS ▽=0 ▽=0	GENERAL TOLERANCES (UNLESS SPECIFIED)		DIMENSION STYLE IN/MM		SCALE 4:1	DESIGN UNITS INCH	THIRD ANGLE PROJECTION		
				mm	INCH	DRAWN BY DMYRICK	DATE 2005/04/06	TITLE RING TONGUE TERMINAL, 12-10 AWG, KRIMPTITE, 900 DEG F (483 DEG C)		
				4 PLACES ± ---	± ---	CHECKED BY RDEROSS	DATE 2005/04/06			
				3 PLACES ± ---	± ---	APPROVED BY RDEROSS	DATE 2005/04/06	MATERIAL NO. SEE CHART		
		2 PLACES ± ---	± ---	MATERIAL NO. SEE CHART		DOCUMENT NO. SD-19203-018				
		1 PLACE ± ---	± ---	DRAFT WHERE APPLICABLE MUST REMAIN WITHIN DIMENSIONS		SHEET NO. 1 OF 1				
		ANGULAR ± ---°	± ---°	THIS DRAWING CONTAINS INFORMATION THAT IS PROPRIETARY TO MOLEX INCORPORATED AND SHOULD NOT BE USED WITHOUT WRITTEN PERMISSION						