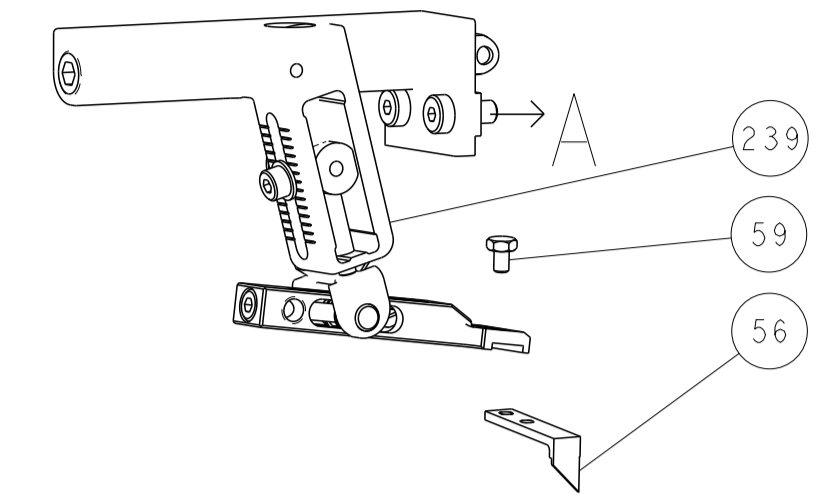
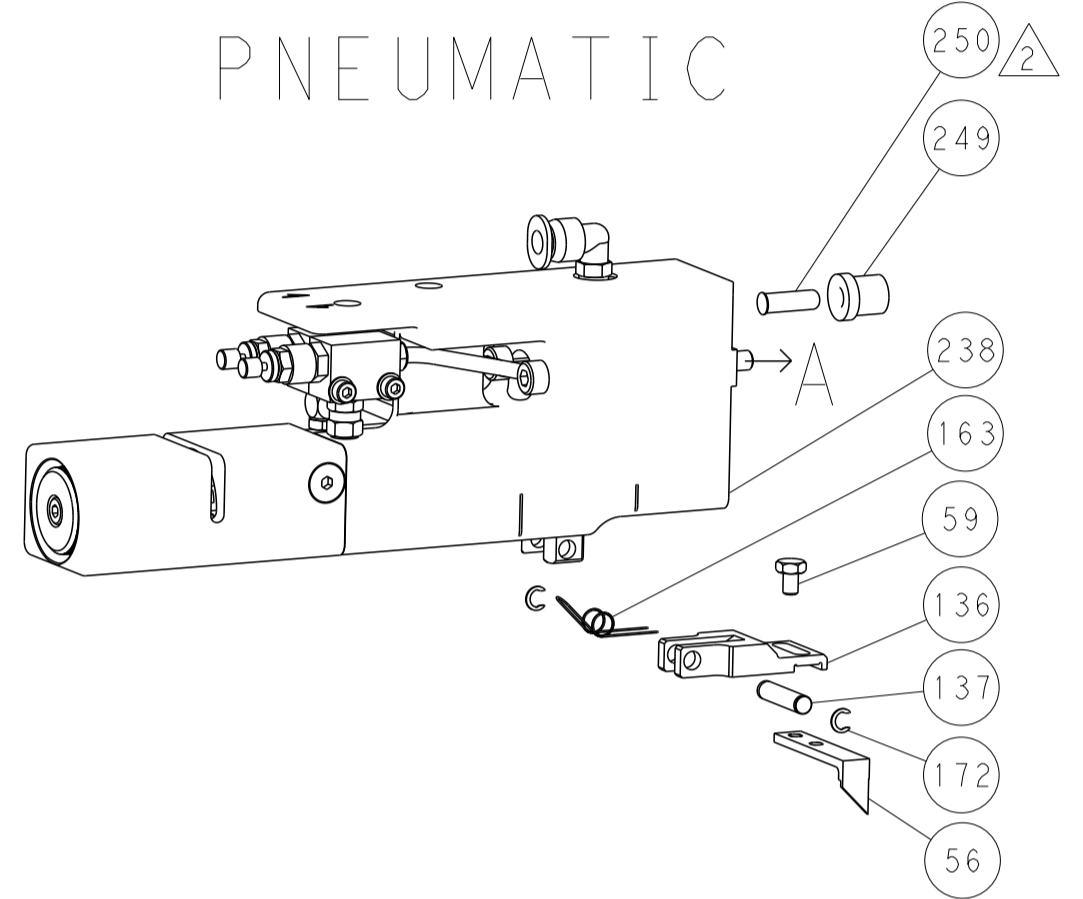


REVISONS		DATE	OWN	APVD
P	LTM	DESCRIPTION		
-	-	SEE SHEET 1	-	-

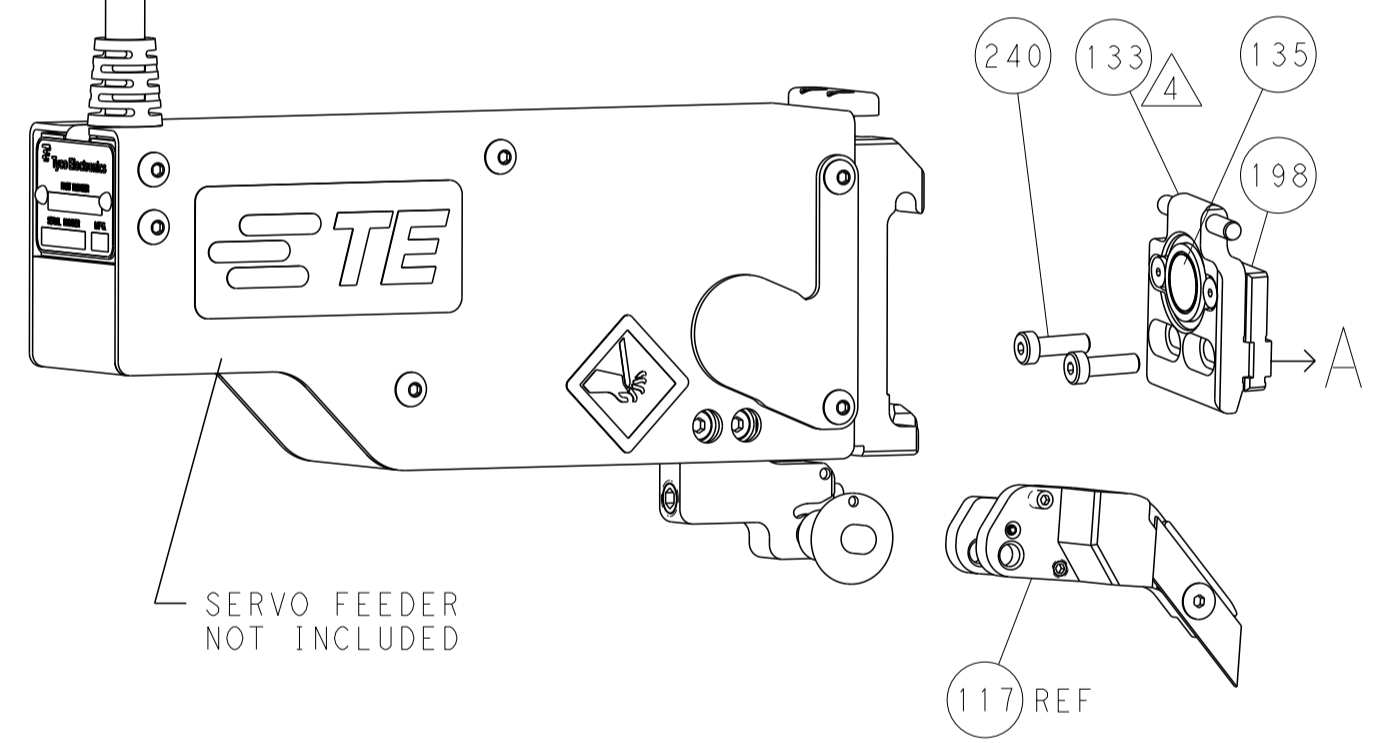
FEED TYPE MECHANICAL



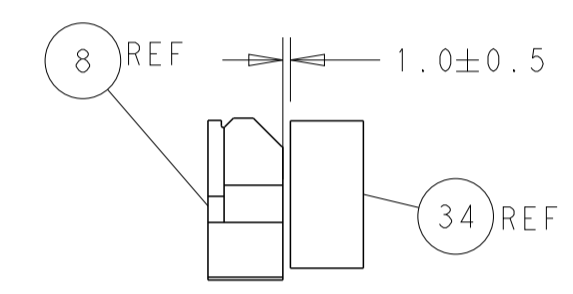
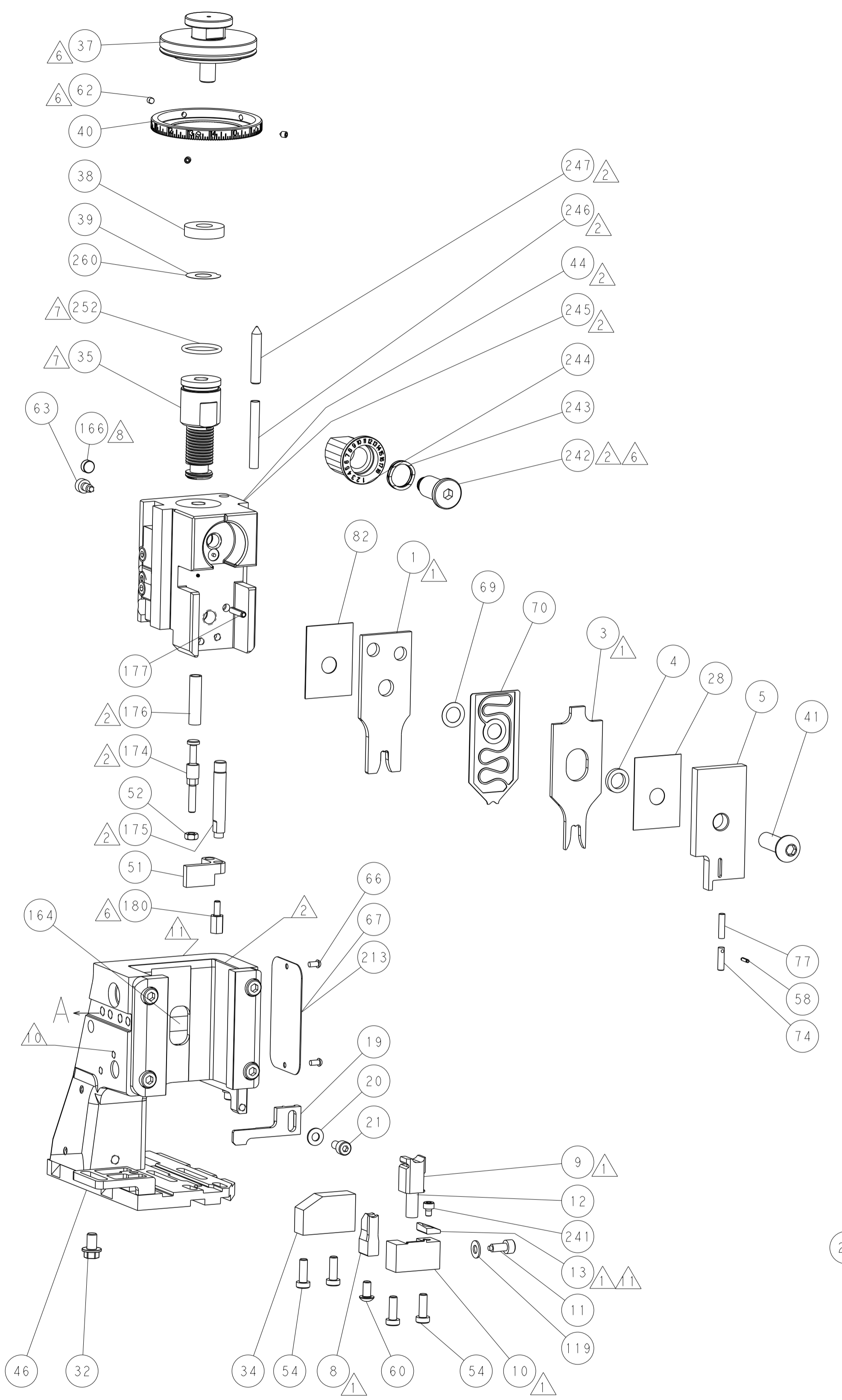
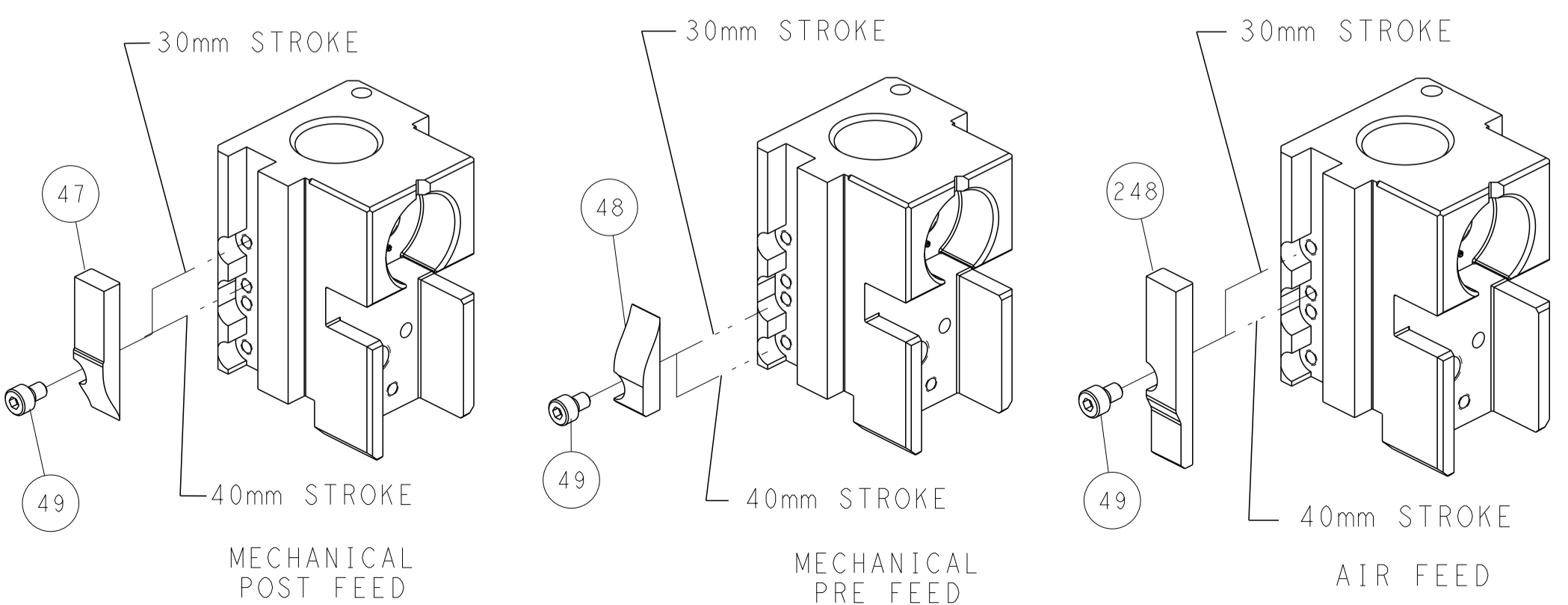
PNEUMATIC



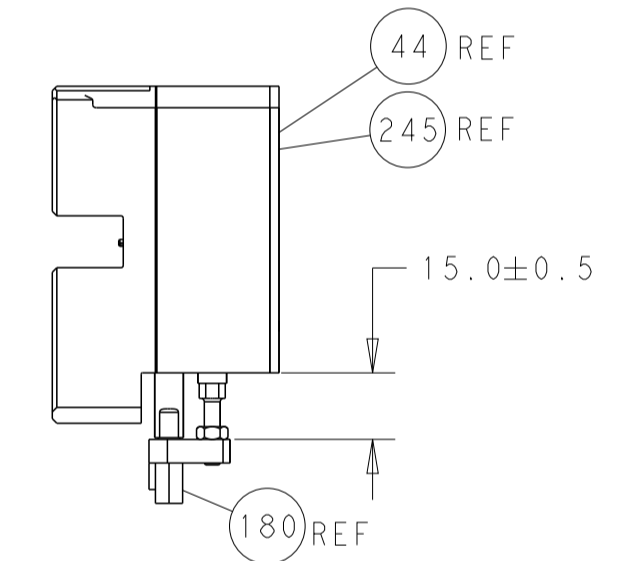
SERVO LATCH PLATE



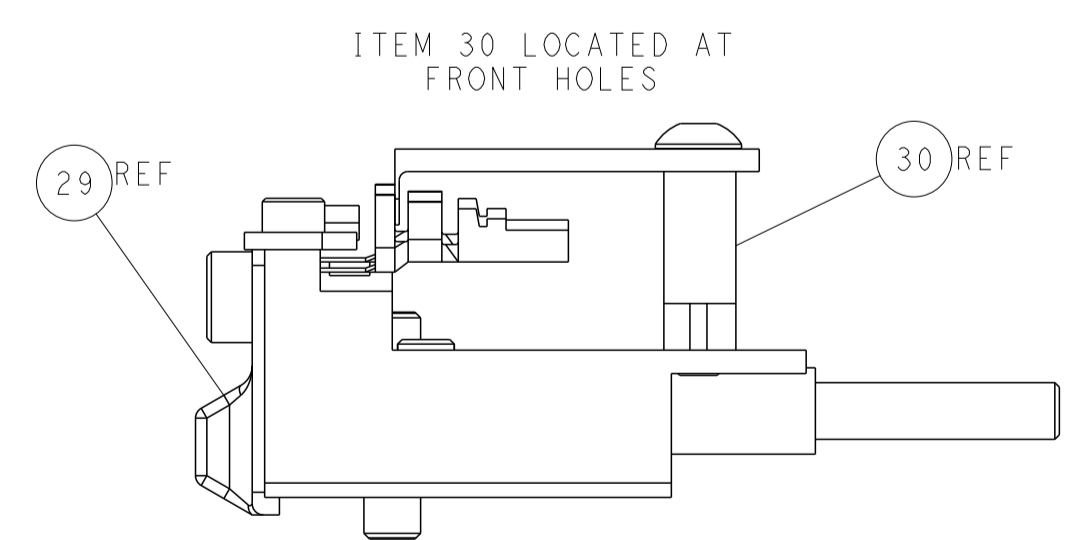
CAM POSITIONS



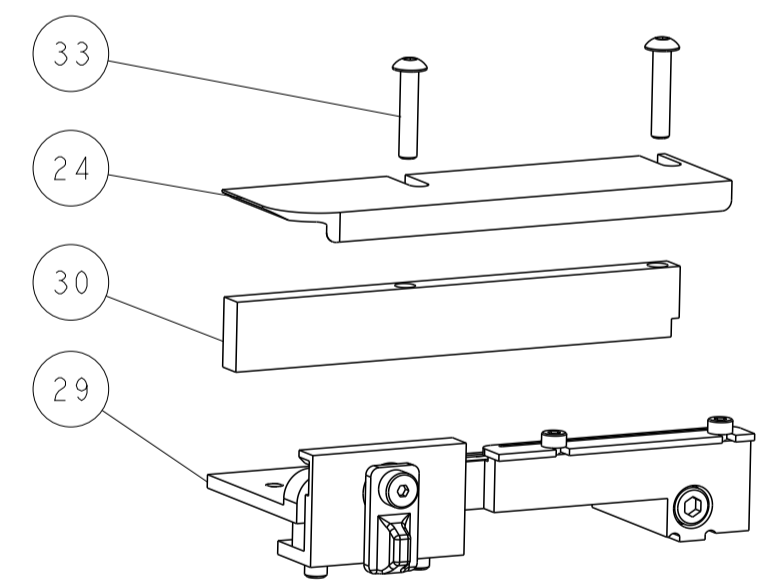
TERMINAL SUPPORT LOCATION



HOLDDOWN SET-UP



FEED TRACK POSITION GUIDE BY INSULATION BARREL

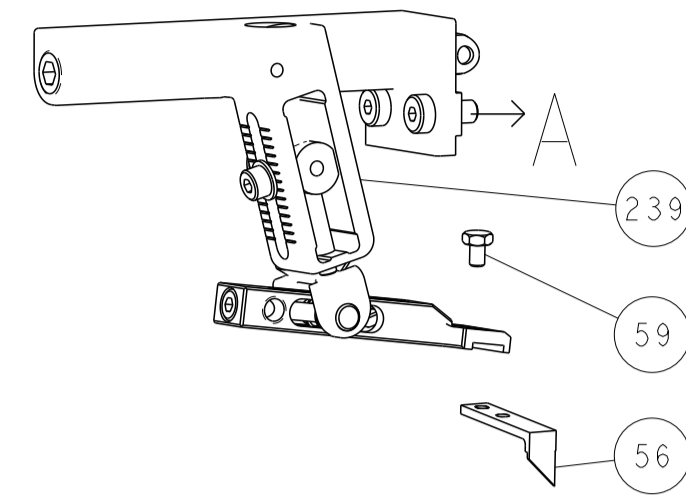


ATLANTIC VERSION
 Shown on sheets 1 of 4 & 2 of 4
 (Pacific version shown on sheets 3 of 4 & 4 of 4)

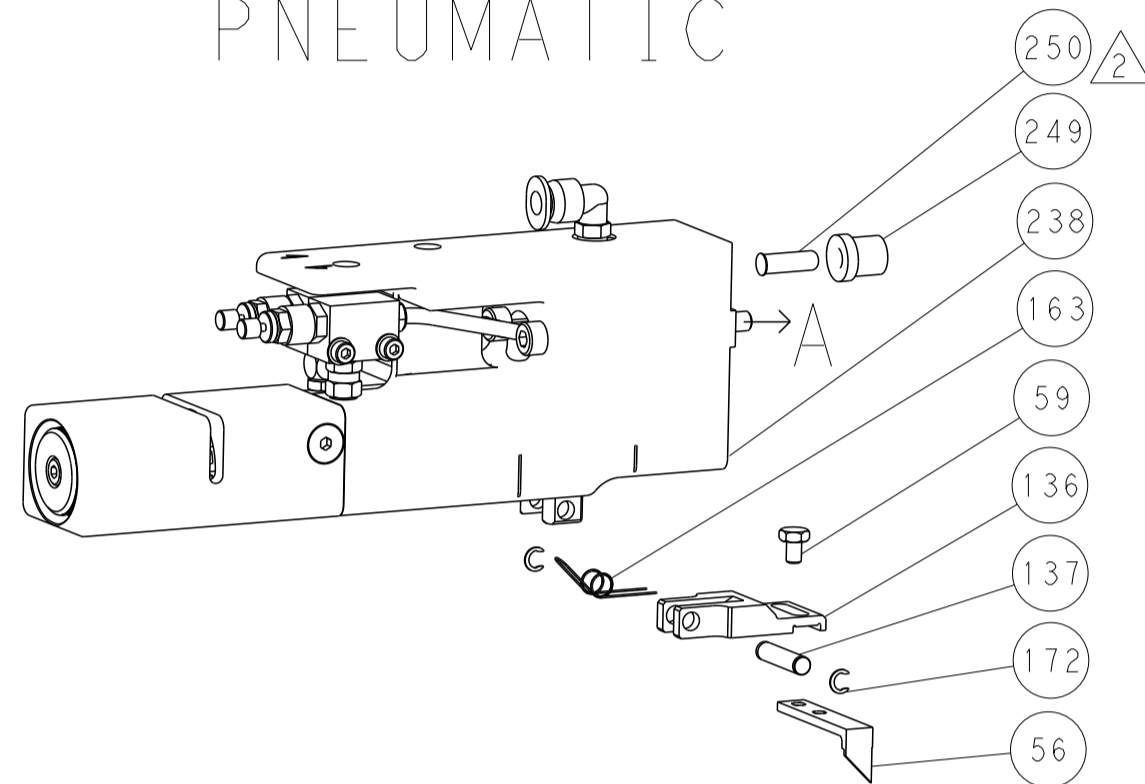
DIMENSIONS:		TOLERANCES UNLESS OTHERWISE SPECIFIED:		DWG: Y. YIN 17APR2013		CHK: G. BAILEY 17APR2013		APVD: H. GUO 17APR2013		NAME: Ocean Side Feed Applicator			
mm	0 PLC	±		SIZE	CAGE CODE	DRAWING NO	RESTRICTED TO						
	1 PLC	±		A1	00779	©=2151923							
	2 PLC	±		Customer Accessible Production Drawing		SCALE	1:2	SHEET	1	OF	4	REV	B
	3 PLC	±											
	4 PLC	±											
	ANGLES	±											
	FINISH	±											

LOC	DIST	REV	DATE	BY	APPV
		1			
		2			
		3			
		4			

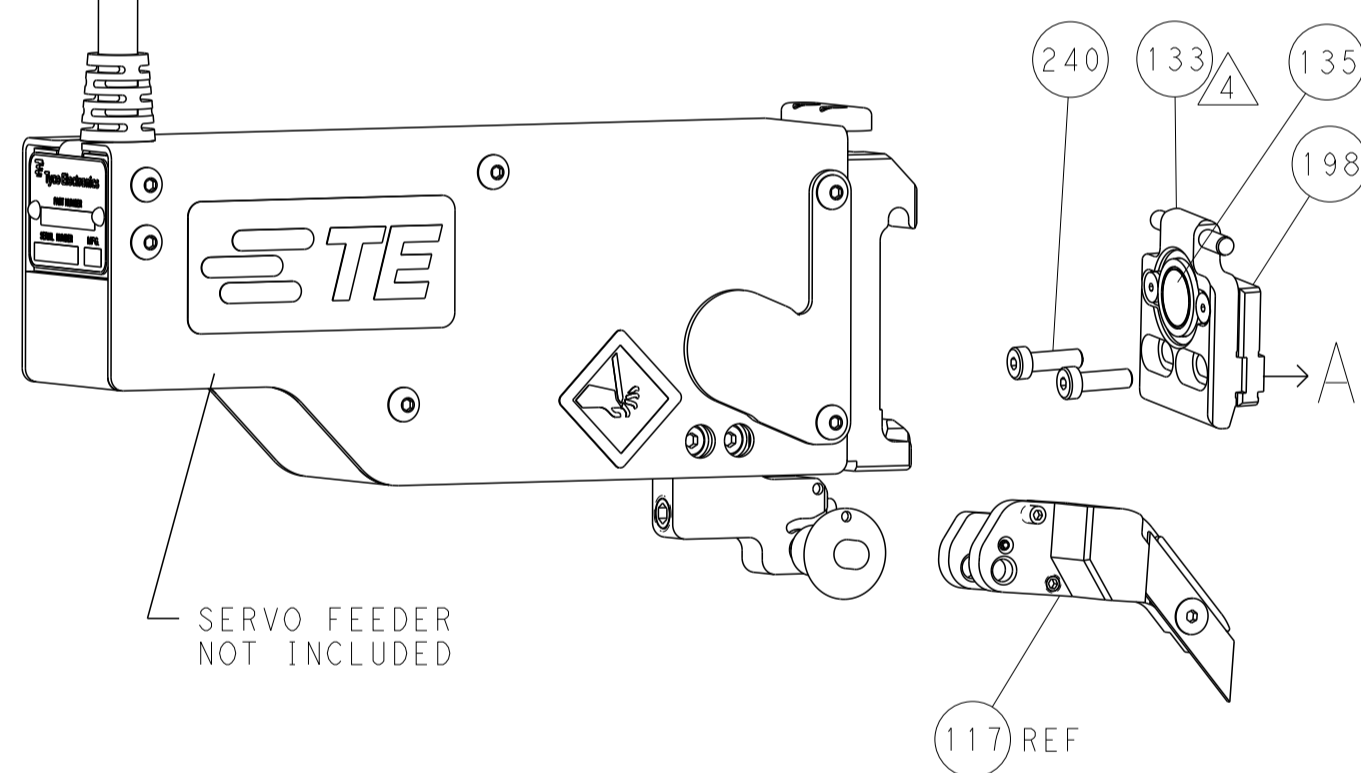
FEED TYPE MECHANICAL



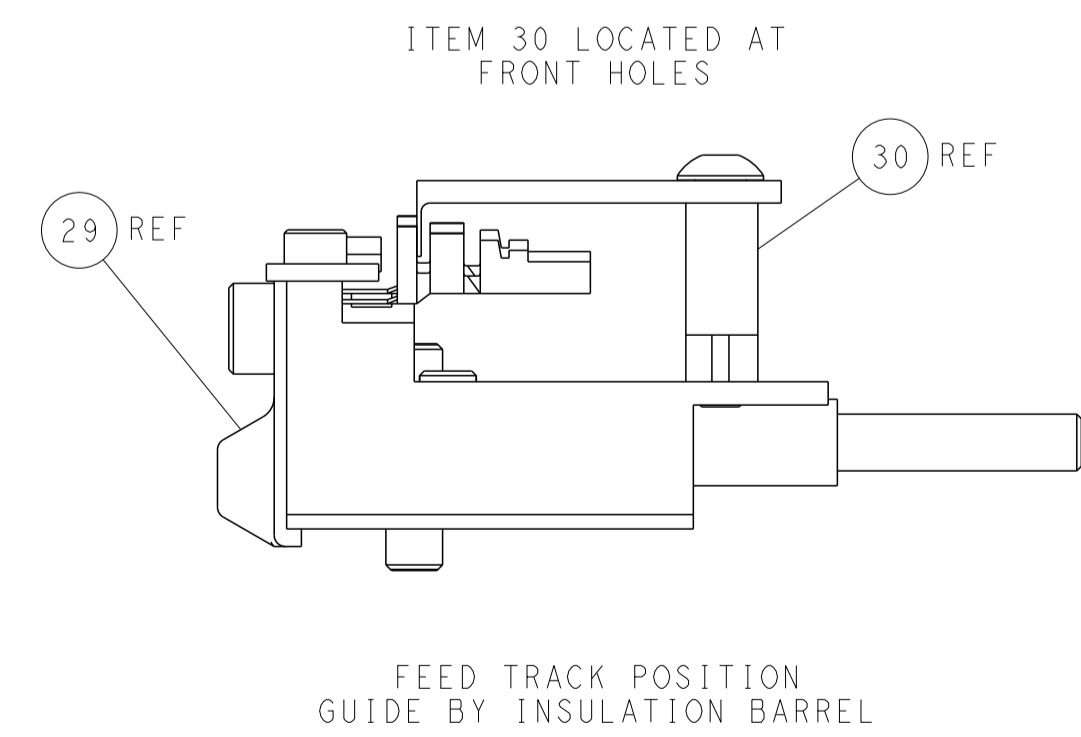
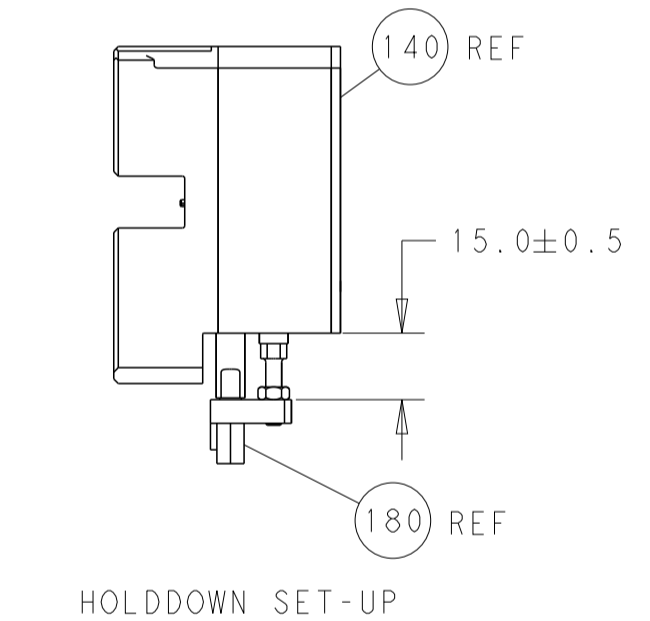
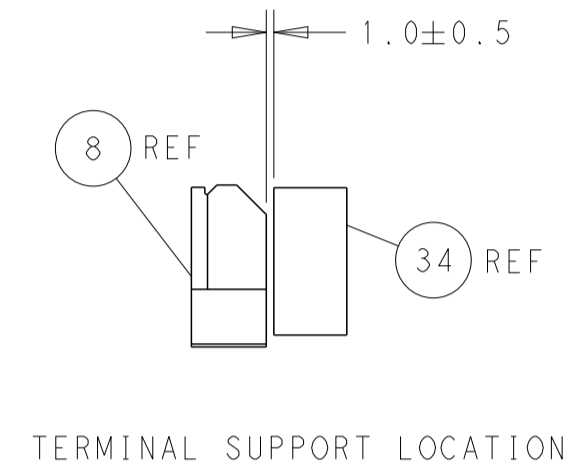
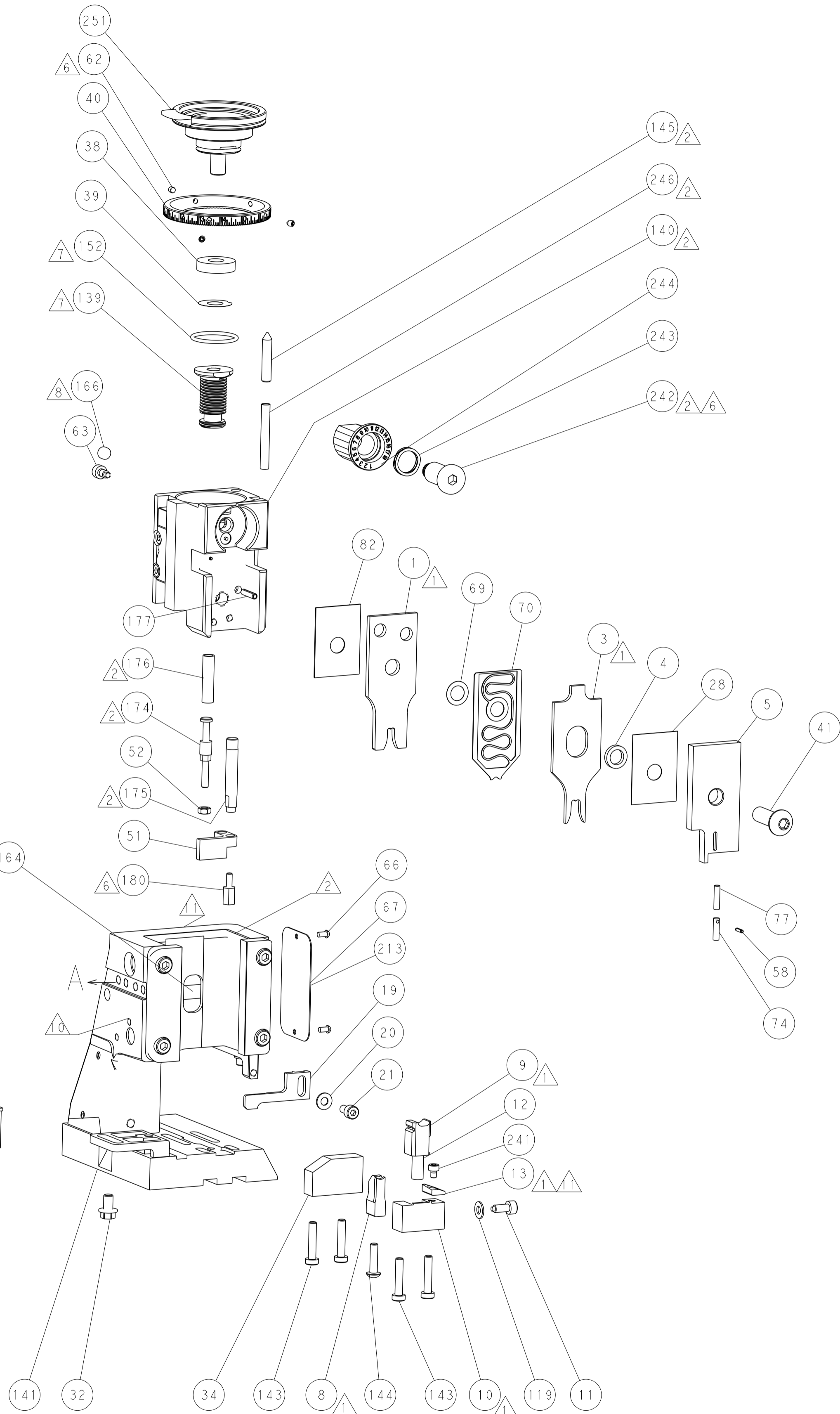
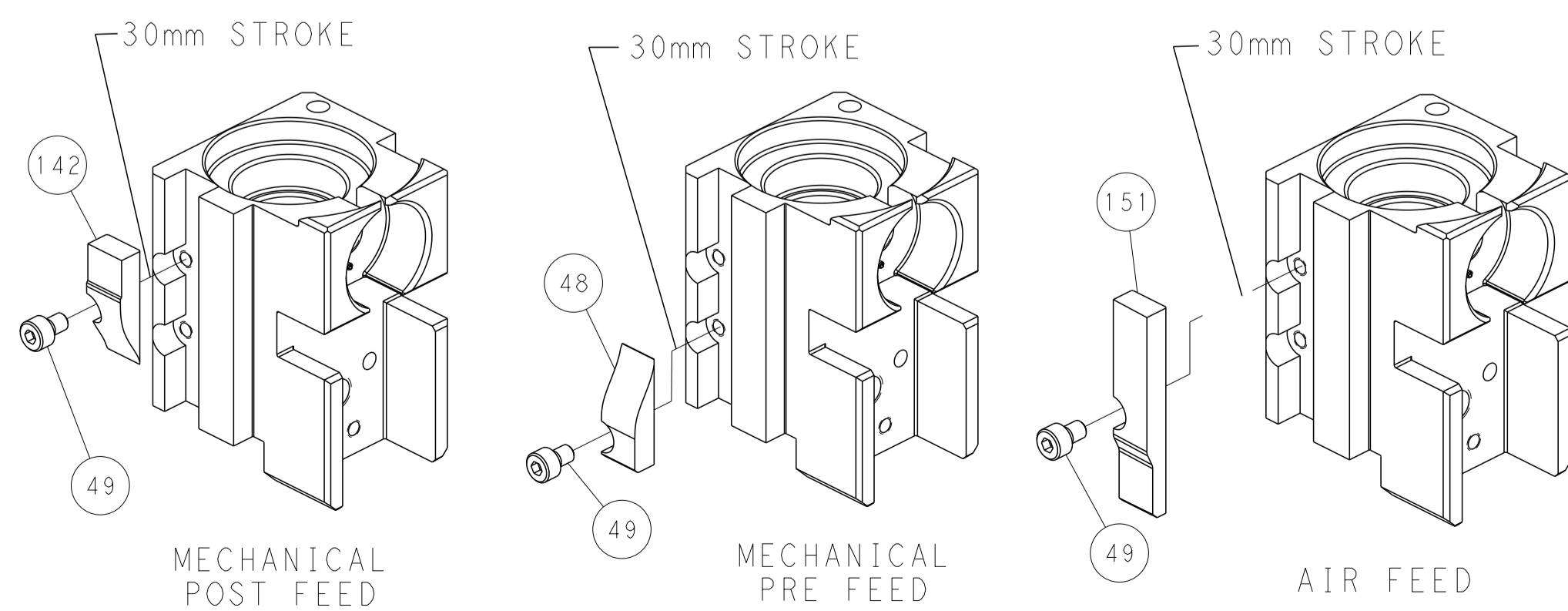
PNEUMATIC



SERVO LATCH PLATE



CAM POSITIONS



PACIFIC VERSION
 Shown on sheets 3 of 4 & 4 of 4
 (Atlantic version shown on sheets 1 of 4 & 2 of 4)

DIMENSIONS:		TOLERANCES UNLESS OTHERWISE SPECIFIED:		OWN: Y. YIN 17APR2013	STE
mm	0 PLC ±	1 PLC ±	2 PLC ±	CHK: G. BAILEY 17APR2013	
	3 PLC ±	4 PLC ±	ANGLES ±	APVD: H. GUO 17APR2013	NAME: Ocean Side Feed Applicator
MATERIAL:	FINISH:	WEIGHT:	SCALE: 1:2	SIZE: A1	
			SHEET 1 OF 4	DRAWING NO: 00779	REV B