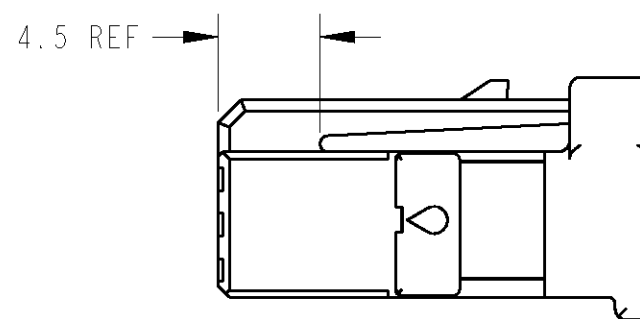
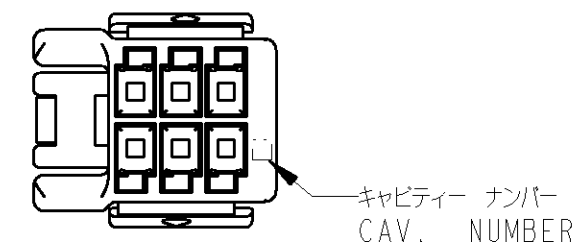
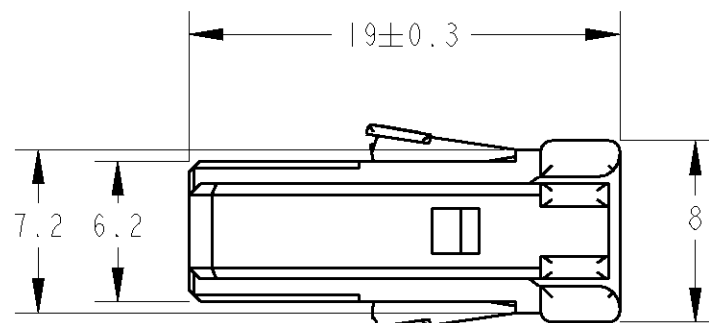
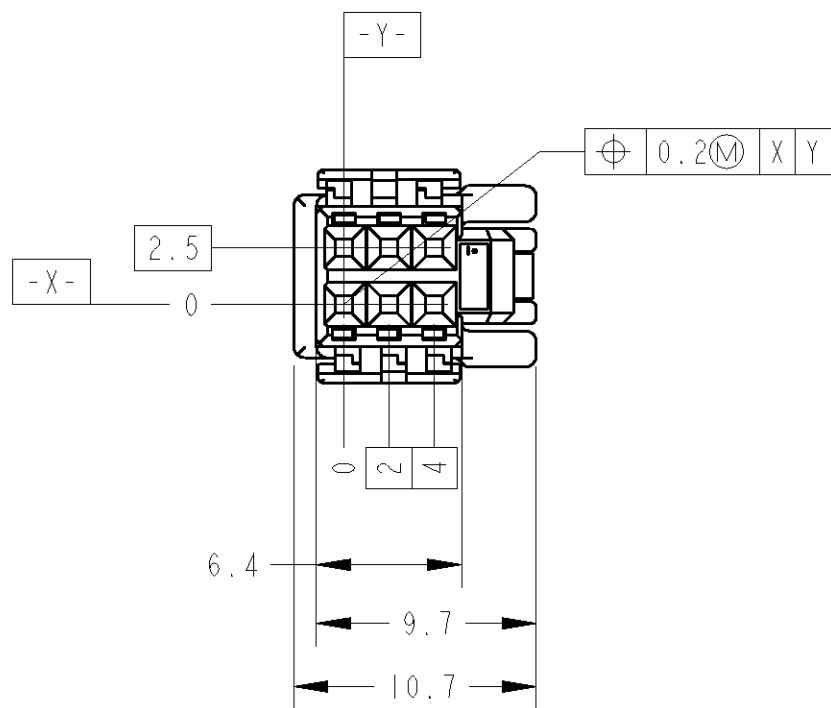


THIS DRAWING IS UNPUBLISHED. RELEASED FOR PUBLICATION
 © COPYRIGHT 19 BY TYCO ELECTRONICS CORPORATION. ALL RIGHTS RESERVED.

| LOC | DIST | REVISIONS | | | | | | |
|-----|------|-----------|-----|-------------|---------------|---------|-----|------|
| | | P | LTR | DESCRIPTION | ECN | DATE | DWN | APVD |
| J | - | | D | REVISED | ECR-06-024409 | 13NOV06 | SK | SI |
| | | | | | | | | |
| | | | | | | | | |



I. 取扱説明書; 411-5857

I. INSTRUCTION SHEET; 411-5857

| | |
|-------|-------------|
| BLACK | 1318305-2 |
| BLUE | 1318305-1 |
| COLOR | PART NUMBER |

| | | | | | |
|---|--|---|--|---|--|
| <small>THIS DRAWING IS A CONTROLLED DOCUMENT FOR TYCO ELECTRONICS CORPORATION IT IS SUBJECT TO CHANGE AND THE CONTROLLING ENGINEERING ORGANIZATION SHOULD BE CONTACTED FOR THE LATEST REVISION.</small> | | DWN T. KOHNO 28OCT98 CHK N. SAI 28OCT98 APVD K. SHIMIZU 28OCT98 | | tyco Tyco Electronics AMP K.K. Electronics Kawasaki, Japan | |
| DIMENSIONS: 単位: 概 mm | | TOLERANCES UNLESS OTHERWISE SPECIFIED: 一般公差 = ± 0.15 0-PLC ± 1-PLC ±0.1 2-PLC ±0.01 3-PLC ±0.001 4-PLC ±0.000J ANGLES ±3 | | PRODUCT SPEC 108-5620 APPLICATION SPEC 114-5250 取付適用規格 | |
| MATERIAL 材料 PBT | | FINISH 仕上 SEE TABLE | | WEIGHT 0.7g | |
| | | NAME 名称 .025 ライトセンサ 6極 プラグハウジング .025 LIGHT SENSOR 6POS. PLUG HOUSING | | SIZE A3 CAGE CODE 00779 DRAWING NO 番号 1318305 RESTRICTED TO - | |
| CUSTOMER DRAWING | | SCALE 尺度 3:1 SHEET 1 OF 1 REV D | | | |