

PART NUMBER	REV	FIRST USED	POWER UNIT	FEED TYPE	DESCRIPTION
1855444-1	A	122500-1	LEADMAKER	AIR FEED	CUTS CARRIER
1855444-2	A	565435-5	BENCH MODEL K	AIR FEED	CUTS CARRIER
1855444-3	A	354500-1	BENCH MODEL G	AIR FEED	CUTS CARRIER
7-1855444-7	A	-	-	-	SPARE PARTS

1 RECOMMENDED SPARE PARTS

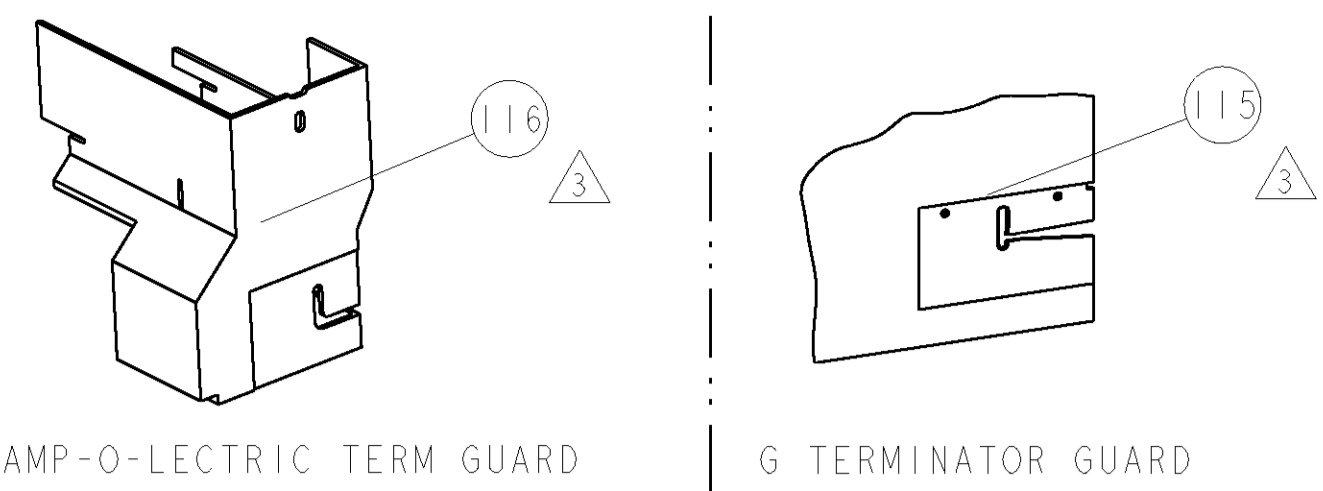
2 GREASE LIGHTLY

3 GUARD MUST BE IN PLACE WHEN OPERATING APPLICATOR IN A BENCH MACHINE

4 GRIND AT ASSEMBLY.

5. TERMINAL LUBRICANT IS REQUIRED.

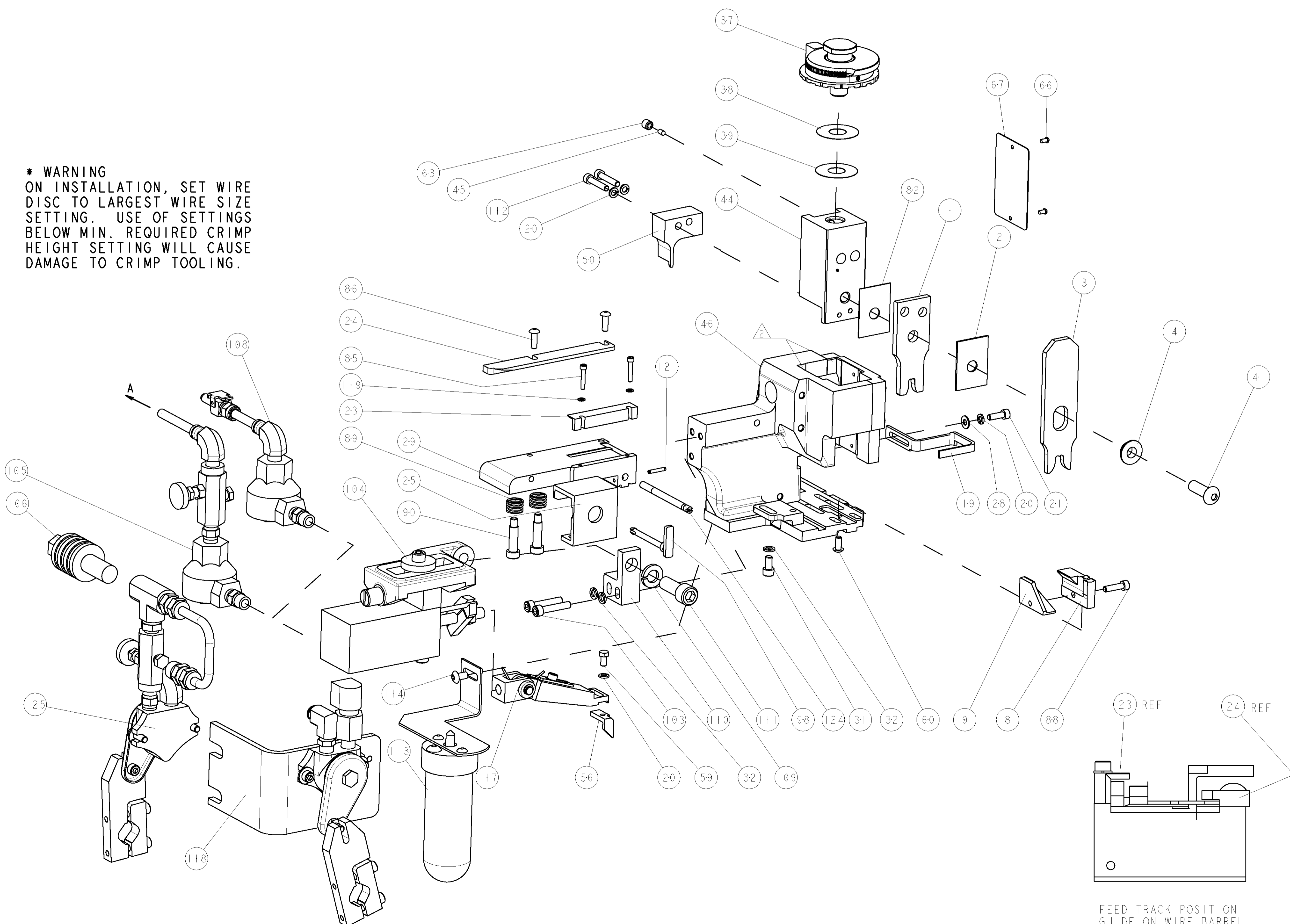
6 INSTALL ITEMS 100, 101 & 102 ON SIDE OF STRIPPER ON APPLICATOR HOUSING USING ITEM 21.



TE PN	DELPHI	DELPHI TERMINAL - DELPHI CRIMP SPECS	REF SETTING
1949821	12004983		
-	-	CRIMP HEIGHT	
-	-	WIRE SIZE	5mm2
-	-		3mm2
-	-		
CRIMP	SIZE	TYPE	RANGE
WIRE	5.08mm [.200]	F	3mm2-5mm2
INSUL	7.11mm [.280]	F	∅ 3.490 - 4.480
WIRE STRIP LENGTH	TERM APPL SPEC	FEED	SET UP GAGE
6.80-7.40	NONE	19.80	408-8040 458637-1

LOC	DATE	REVISIONS				
A	66	REV	DESCRIPTION	DATE	BY	APPV
		A	RELEASED	09FEB2008	BH	BH

* WARNING ON INSTALLATION, SET WIRE DISC TO LARGEST WIRE SIZE SETTING. USE OF SETTINGS BELOW MIN. REQUIRED CRIMP HEIGHT SETTING WILL CAUSE DAMAGE TO CRIMP TOOLING.



		1	-	-	455350-4	AIR BLAST ASS'Y	125
		1	1	1	690432-6	ADJUSTMENT SCREW	124
		1	1	1	3-21028-7	PIN, SLOTTED SPRING .094 X .562	121
		2	2	2	21024-2	WASHER, SPRG LOCK, REG NO 4	119
		-	-	-	692655-6	AIR FEED VALVE ASSEMBLY	118
		1	1	1	461062-1	FEED FINGER ASSEMBLY	117
		-	REF	-	455749-1	GUARD WINDOW	116
		REF	-	-	679532-1	INSERT, GUARD	115
		1	1	1	2-21002-6	SCR, BTN SKT HD CAP 10-32 X .375	114
		-	-	-	1-465184-0	LUBRICATOR ASSY	113
		2	2	2	3-21000-0	SCR, SKT HD CAP 8-32 X .875	112
		1	1	1	3-21001-5	SCR, SKT HD CAP 3/8-16 X 1.000	111
		1	1	1	459610-1	MOUNT, FEED BRACKET	110
		1	1	1	21024-8	WASHER, SPRG LOCK, REG 3/8	109
		1	-	1	692655-7	AIR FEED VALVE ASSEMBLY	108
		-	-	-	24042-2	VALVE, SLEEVE, 3-WAY	106
		-	-	-	692655-5	AIR FEED VALVE ASSEMBLY	105
		1	1	1	461065-1	ASSEMBLY, AIR FEED	104
		2	2	2	3-21000-9	SCR, SKT HD CAP 10-32 X 1.000	103
		1	1	1	986220-3	CLAMP, CABLE, BLACK	102
		1	1	1	23238-1	INSERT, COUPLING	101
		18.024.0	18.0	IN	27319-4	TUBING 1/4" O.D.	100
		1	1	1	690546-1	LEVER, DRAG RELEASE	98
		2	2	2	1-27210-8	SCR, SHLD, HEX HD, 1/4 DIA	90
		2	2	2	1-22284-0	SPRING, COMPRESSION	89
		1	1	1	2-21000-8	SCR, SKT HD CAP 8-32 X .625	88
		2	2	2	2-21002-2	SCR, BTN SKT HD CAP 8-32 X .500	86
		2	2	2	1-21000-6	SCR, SKT HD CAP 4-40 X .625	85
		1	1	1	455888-5	SPACER, CRIMPER	82
		1	1	1	4088040	SF APPL INST 408-8040	72
		1	1	1	217238-1	GENERAL INSTRUCTION PKG	71
		1	1	1	461264-5	PLATE, IDENTIFICATION	67
		2	2	2	21017-2	SCREW, DRIVE	66
		1	1	1	21009-2	SCR, SET, SELF LOCKING 1/4-20 X .250	63
		1	1	1	22733-8	SCR, BHSC, SELF-LOCKING, 8-32 X .375	60
		1	1	1	2-22603-0	SCREW, MACH, HEX HD, 8-32 X .312	59
		1	1	1	1-694433-8	FEED PAWL	56
		1	1	1	1338284-4	SHEAR	50
		1	1	1	1633399-1	APPL., BASIC AIR FEED SUB ASSY	46
		1	1	1	690191-1	PLUG, NYLON	45
		1	1	1	1-455673-4	RAM, SIDE FEED	44
		1	1	1	7-21002-9	SCR, BTN SKT HD CAP 5/16-24 X 1.00	41
		1	1	1	690125-1	SHIM SUB-ASSY	39
		1	1	1	469367-1	SHIM	38
		1	1	1	879103-2	FINE ADJUST HEAD ASSEMBLY	37
		3	3	3	21024-5	WASHER, SPRG LOCK, REG NO 10	32
		1	1	1	3-21000-4	SCR, SKT HD CAP 10-32 X .375	31
		1	1	1	3-455671-2	PLATE, STRIP GUIDE	29
		1	1	1	21055-6	WASHER, FLAT, REG NO 8	28
		1	1	1	5-690754-9	DRAG, SPECIAL	25
		1	1	1	8-690440-4	GUIDE, REAR STRIP	24
		1	1	1	2-690712-9	FRONT STRIP GUIDE	23
		1	1	1	2-21000-7	SCR, SKT HD CAP 8-32 X .500	21
		4	4	4	21024-4	WASHER, SPRG LOCK, REG NO 8	20
		1	1	1	456468-5	STRIPPER, SPECIAL	19
		-	-	-	-	-	12
		-	-	-	-	-	11
		-	-	-	-	-	10
		1	1	1	1633742-1	PLATE, REAR SHEAR	9
		1	1	1	1633739-1	ANVIL	8
		-	-	-	-	-	6
		-	-	-	-	-	5
		1	1	1	3-238009-8	BLOCK, FL CRIMPER SPACER	4
		1	1	1	4-1633511-0	CRIMPER, INSULATION F	3
		1	1	1	1-455888-0	SPACER, CRIMPER	2
		1	1	1	5-1633588-9	CRIMPER, WIRE	1

DIMENSIONS: INCHES

9 PLC	± .1
1 PLC	± .01
3 PLC	± .001
4 PLC	± .0001

TOLERANCES UNLESS OTHERWISE SPECIFIED:

FINISH: 1633739-1

DATE	09DEC2008	DRAWN	ELBING	
CHKD	T.ELBIN	09DEC2008	APPV	M. DEMING
APVD	M. DEMING	09DEC2008	NAME	FINE ADJUST SIDE FEED HDM APPLICATOR

SIZE	CAGE CODE	DRAWING NO	RESTRICTED TO
A	00779	1855444	A

CUSTOMER DRAWING SCALE 3:5 SHEET 1 OF 1 REV A