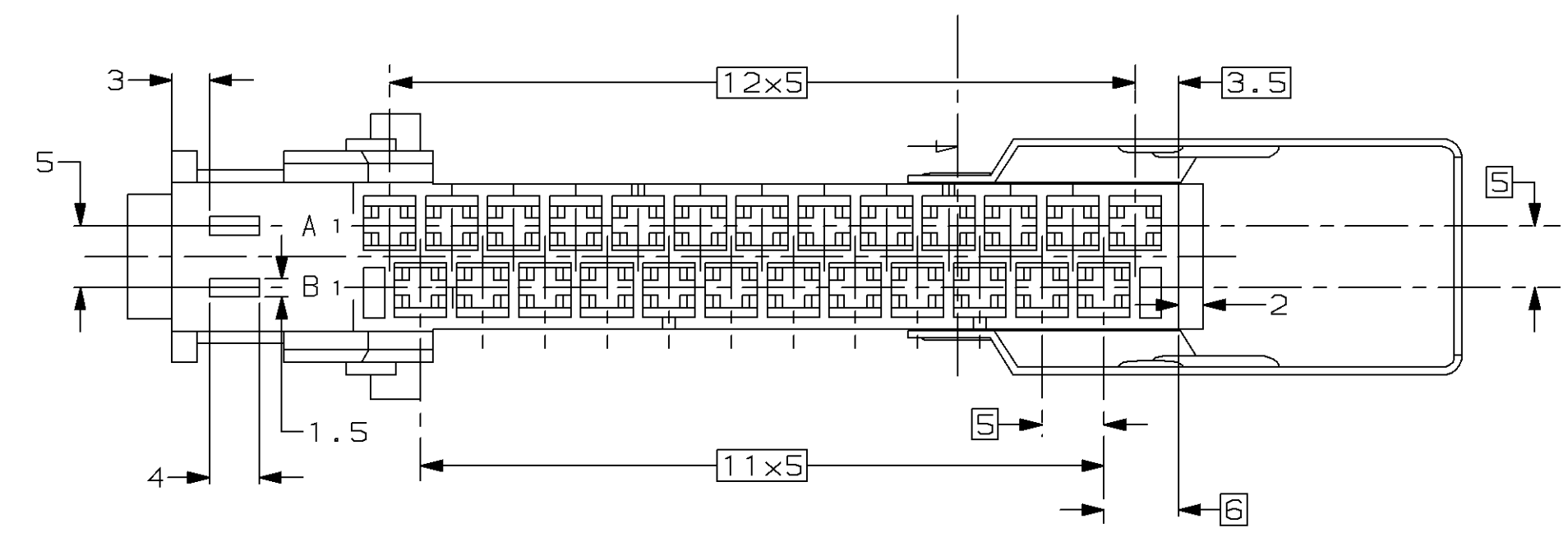
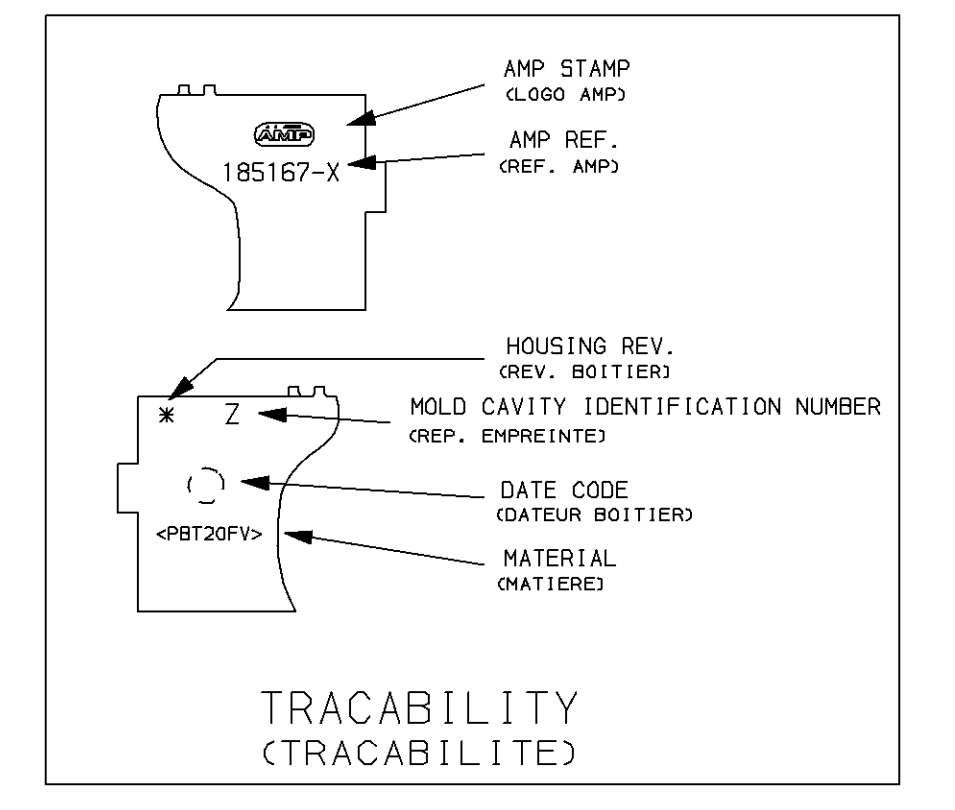
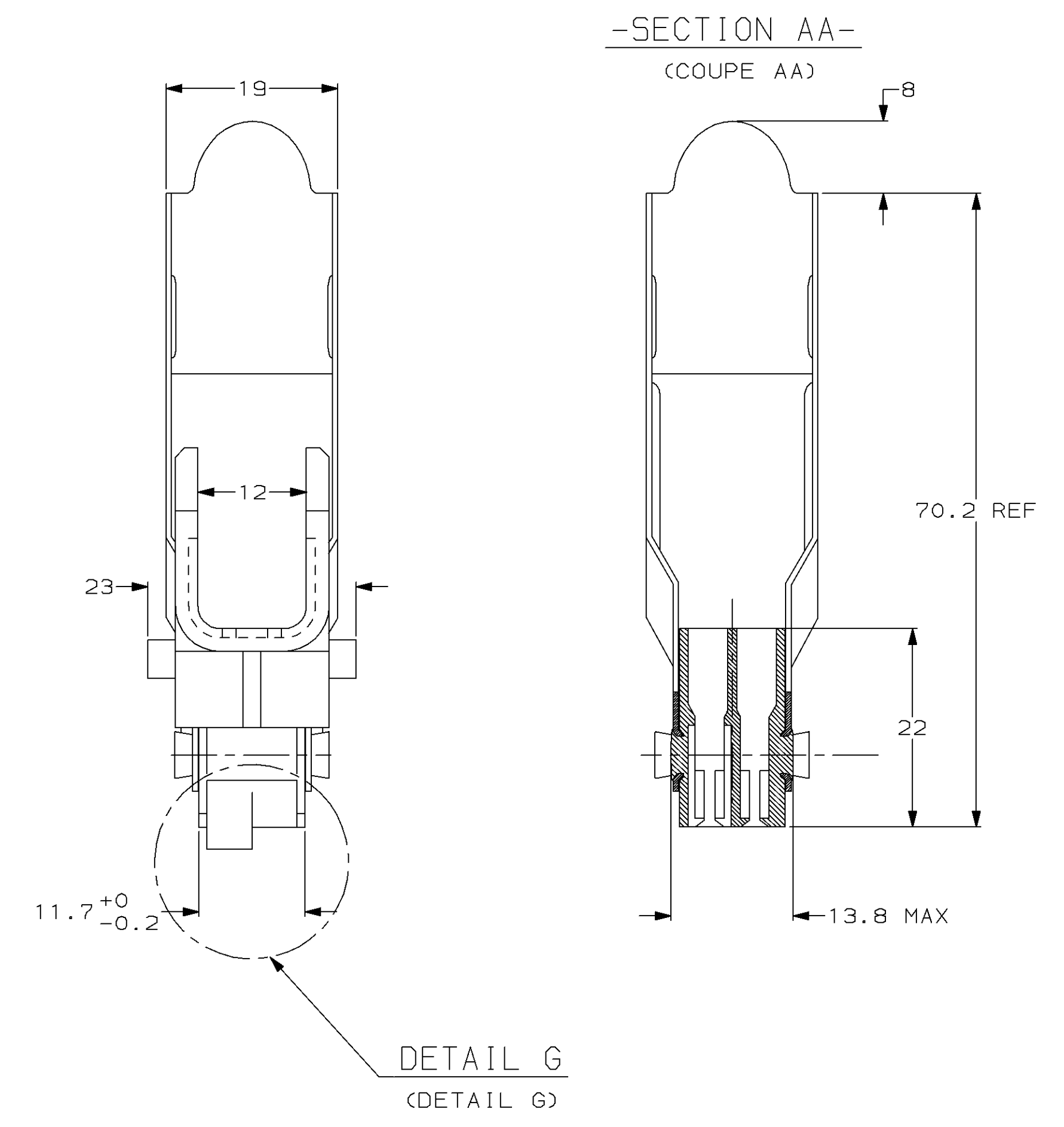
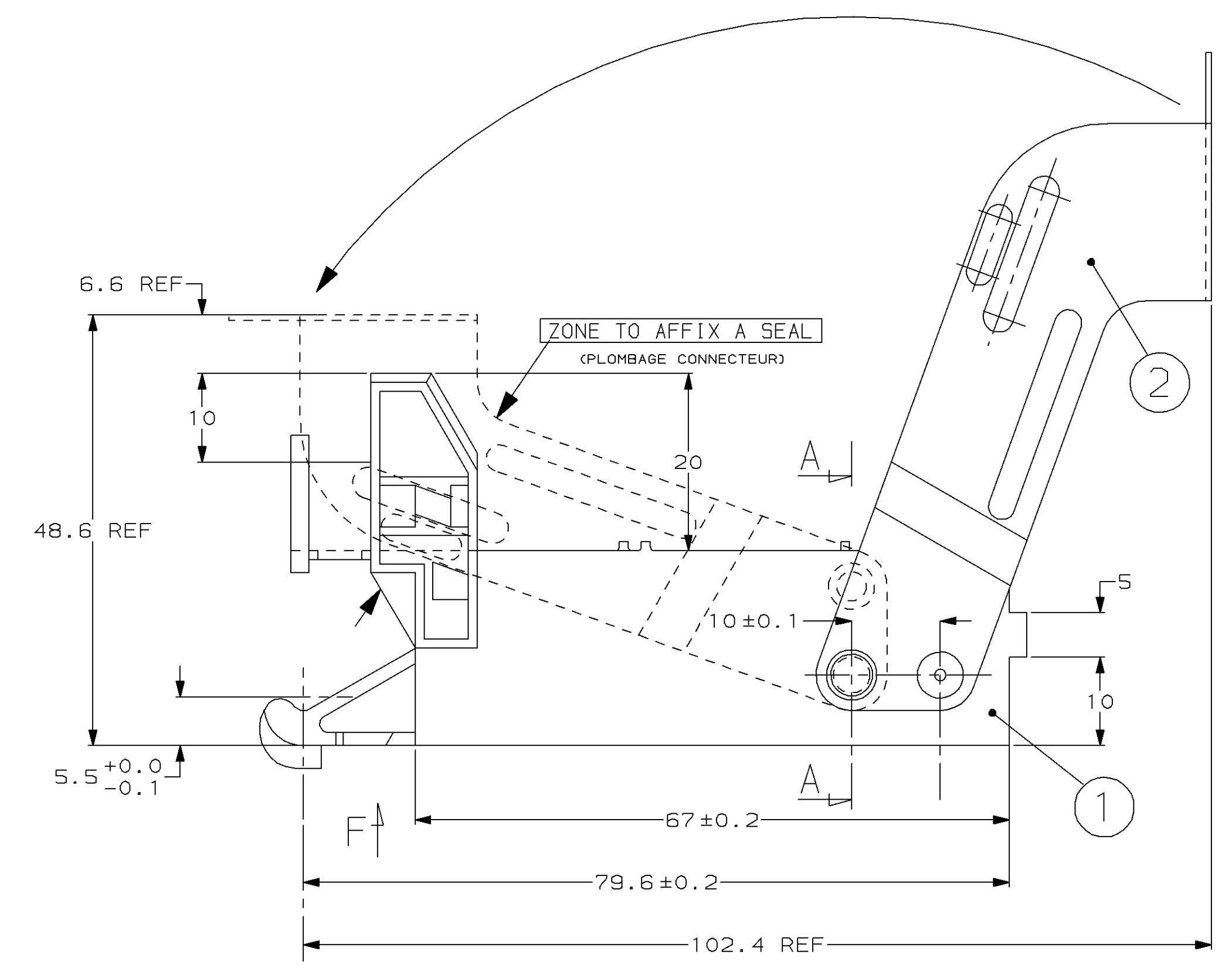
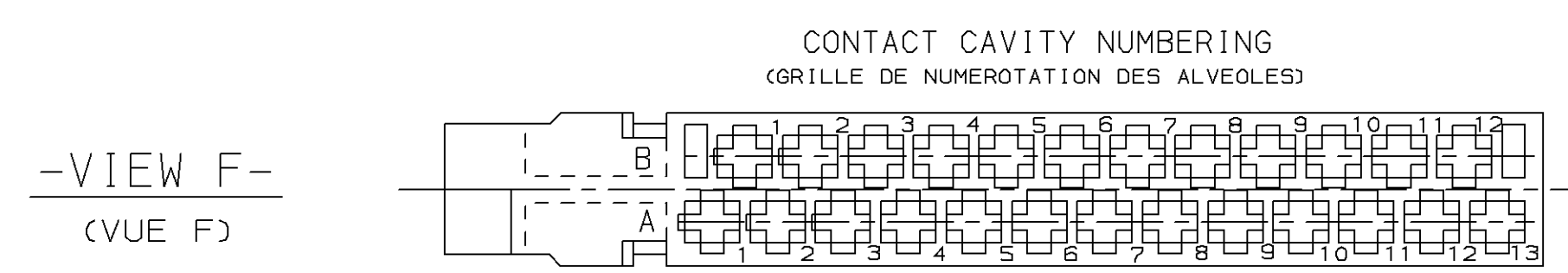


LOC		DIST		REVISIONS			
F	7	P	LTR	DESCRIPTION	DATE	OWN	APVD
REV				MODIFICATIONS		DESS.	APP.
-	-	-	-				



LEVER (LEVIER)	STAINLESS STEEL (INOX)	②
25 POS. HOUSING JPT (BOITIER JPT 25 VOIES)	PBT 20% GLASS FIBER (PBT 20% F.V.)	①
DESCRIPTION (DESCRIPTION)	MATERIAL (MATIERE)	ITEM (REP.)

-DETAIL G-  
(DETAIL G)

DIFFERENT CODING (DETROMPAGES)	5 +0/-0.1	10 +0/-0.1	10 +0/-0.1	2.5 +0/-0.1	2.5 +0/-0.1	2.5 +0/-0.1
PART NUMBER AND HOUSING COLOR (P/N ET COULEUR BOITIER)	185167-1 GREEN (VERT)	185167-2 WHITE (BLANC)	185167-3 RED (ROUGE)	185167-4 YELLOW (JAUNE)	185167-5 BLUE (BLEU)	185167-6 BROWN (MARRON)

THIS DRAWING IS A CONTROLLED DOCUMENT. CE PLAN EST UN DOCUMENT CONTROLE.

DWG/DESSINE: 26-AUG-97  
CHK/VERIFIE: JP\_PICAUD  
APVD/APPROUVE: JJ BEVIL  
DATE: 01-SEP-97

AMP DE FRANCE  
95301 PONTOISE

PRODUCT SPEC: 108-15107  
APPLICATION SPEC: APPLICATION

SCALE: 2:1  
SHEET: 1 OF 1

WEIGHT: APPROX. 29 g.  
MATERIAL: SEE NOTICE (VOIR TABLEAU)