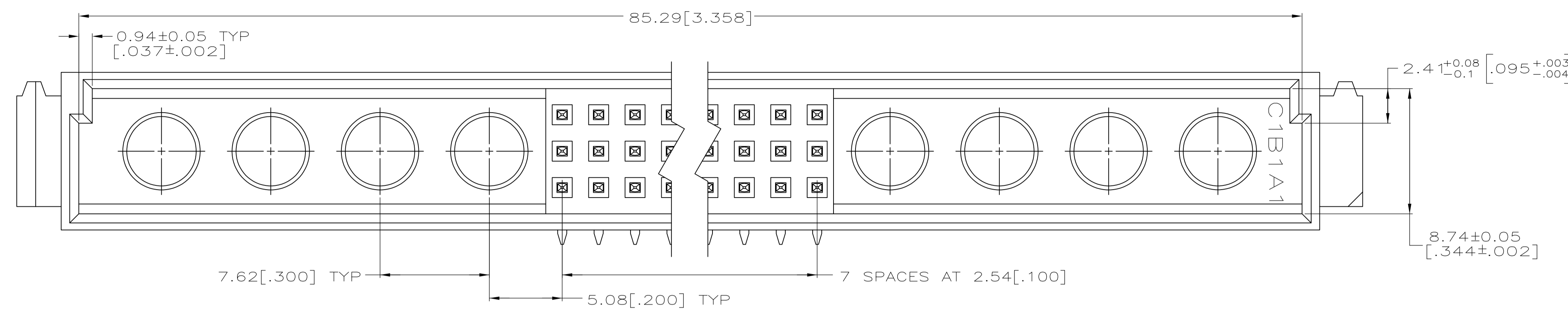
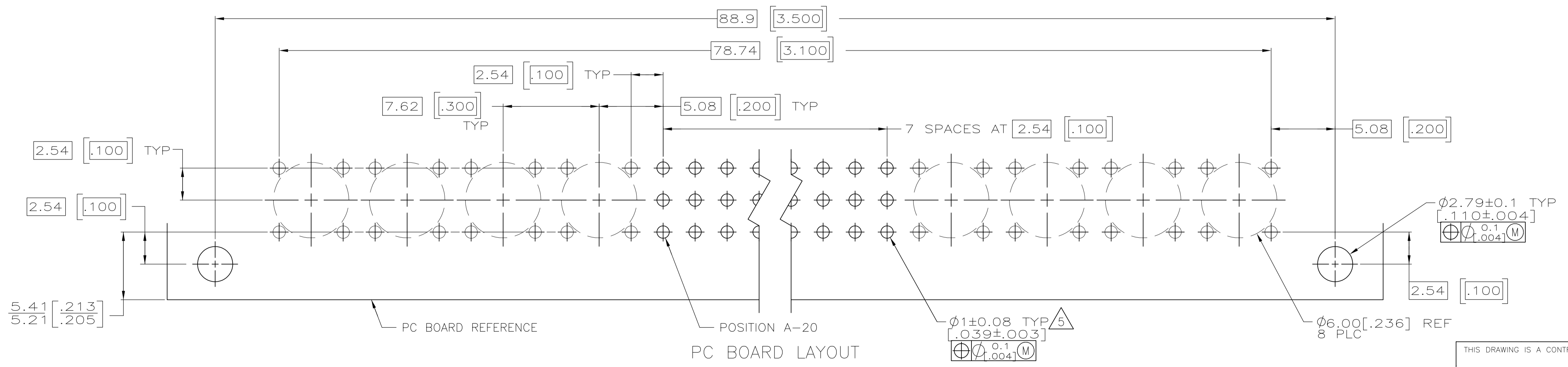
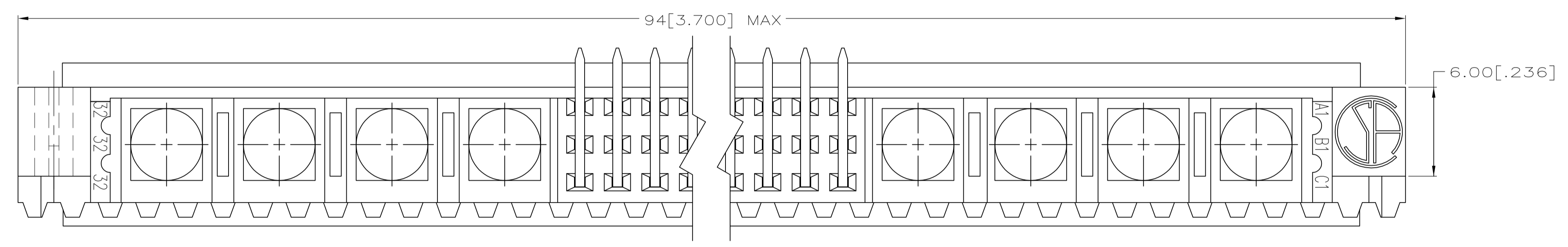
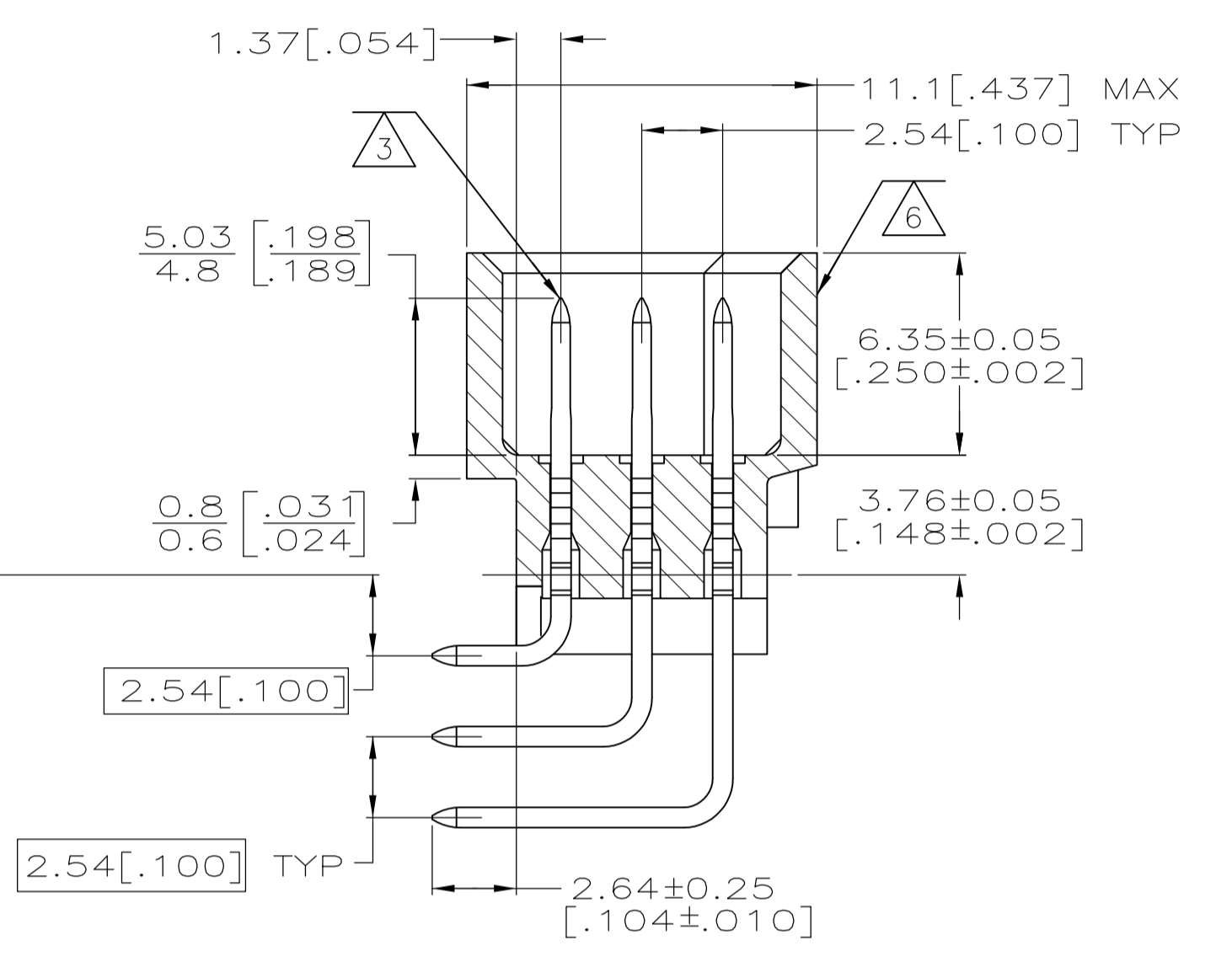
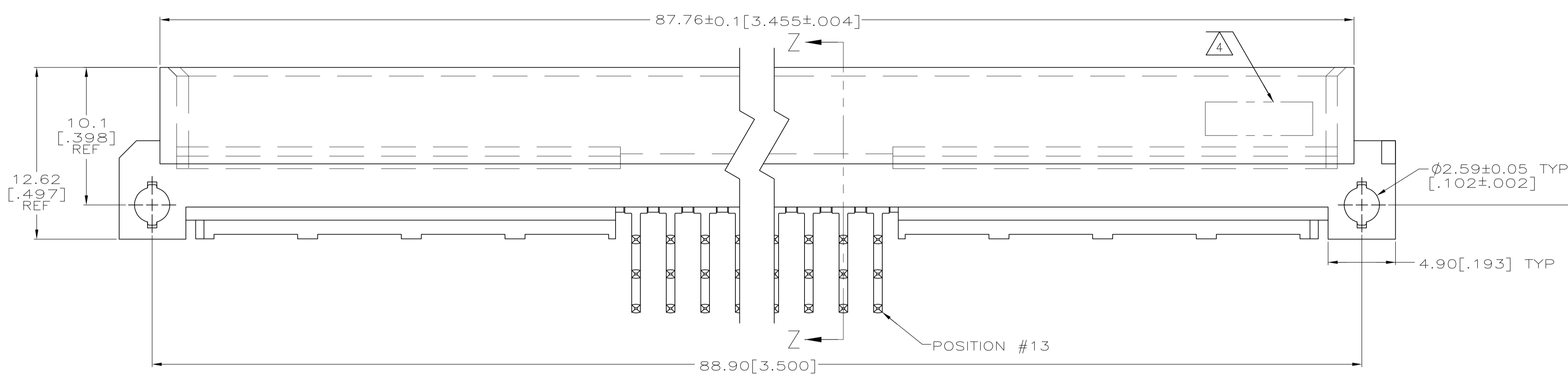


LOC		DIST		REVISIONS			
P	LTR	DESCRIPTION	DATE	DWN	APVD		
01		REVISED PER ECO-08-013375	09JUN08	DH	DB		



- 1 HOUSING MATERIAL: GLASS-FILLED POLYMER.
- 2 POST MATERIAL: COPPER ALLOY.
- 3 POST FINISH: DIN 41612 CLASS 2 IN CONTACT AREA. TIN PLATE ON POSTS.
- 4 PART NUMBER AND DATE CODE IN THIS APPROXIMATE AREA.
- 5 RECOMMENDED HOLE SIZE FOR MANUAL APPLICATION OF CONNECTOR ONTO PC BOARD.
- 6 MARKING ON THIS SIDE.



5148414-5
PART NUMBER

THIS DRAWING IS A CONTROLLED DOCUMENT.		DIN J. POLIGNONE 18APR08		Tyco Electronics Corporation	
DIMENSIONS: mm [INCHES]		CHK A. SHARPE 18APR08		Tyco Electronics Corporation Harrisburg, PA 17105-3608	
TOLERANCES UNLESS OTHERWISE SPECIFIED:		APVD A. SHARPE 18APR08		NAME ASSEMBLY, PIN, RIGHT ANGLE, TYPE M, EUROCARD, 24+8, SOLDER, 2.64 [.104]	
0 PLC ± -	1 PLC ± -	PRODUCT SPEC		APPLICATION SPEC	
2 PLC ± 0.13 [0.005]	3 PLC ± -	SIZE A1		CAGE CODE 00779	
4 PLC ± -	ANGLES ± -	DRAWING NO. 5148414		RESTRICTED TO	
MATERIAL 1 2	FINISH 3	WEIGHT		SCALE 5:1	
CUSTOMER DRAWING		SHEET 1 OF 1		REV 01	