

4

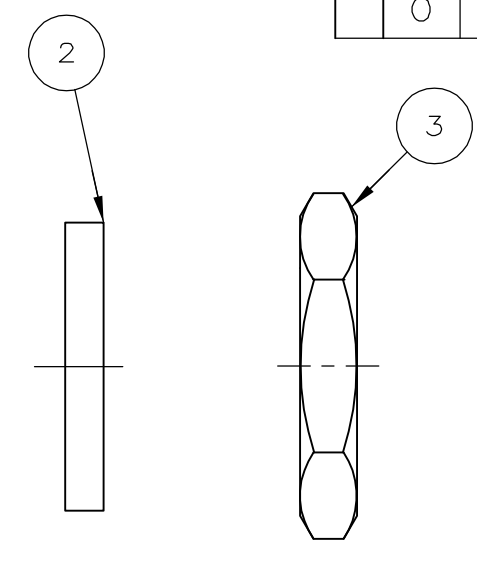
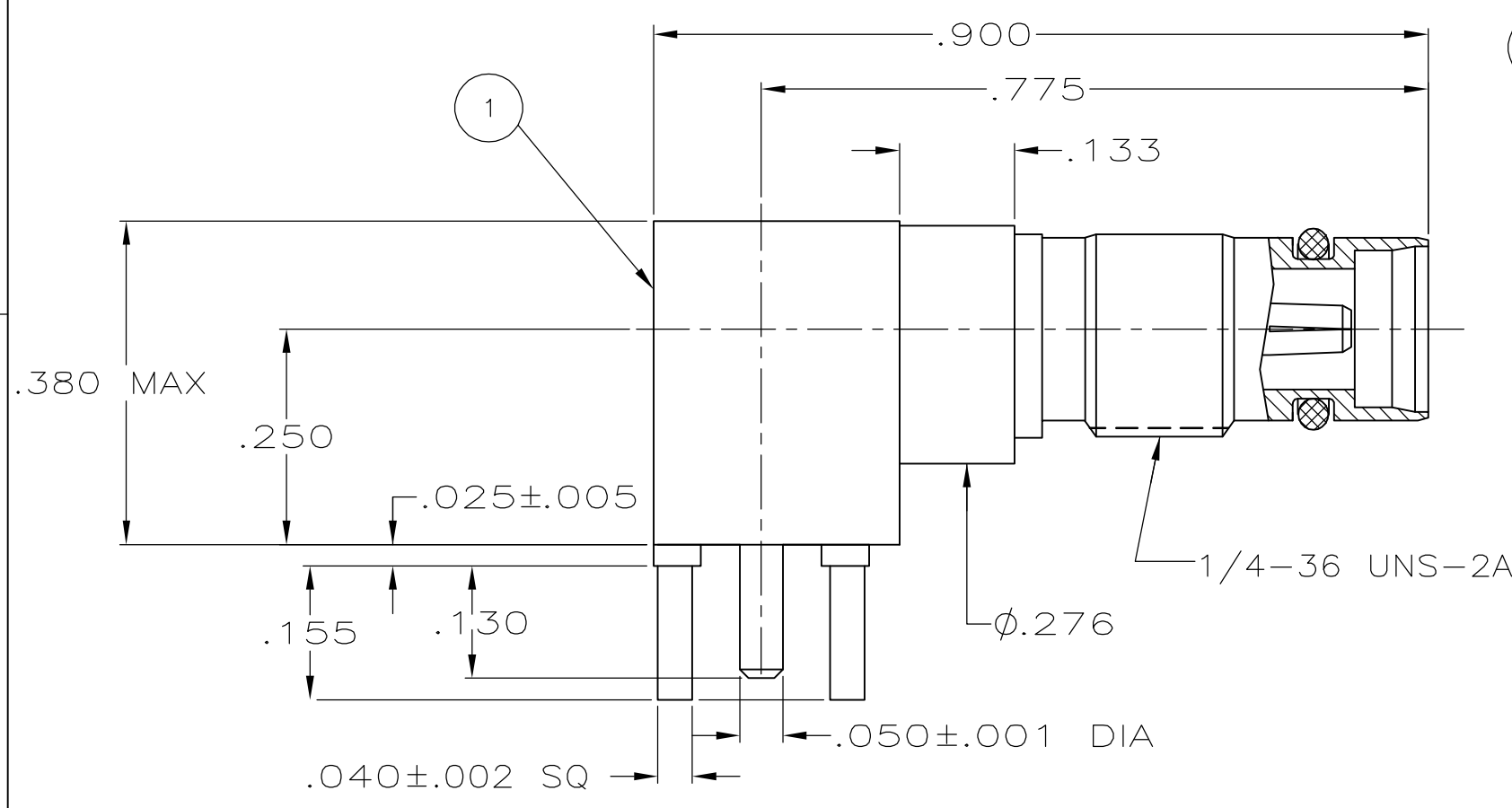
3

2

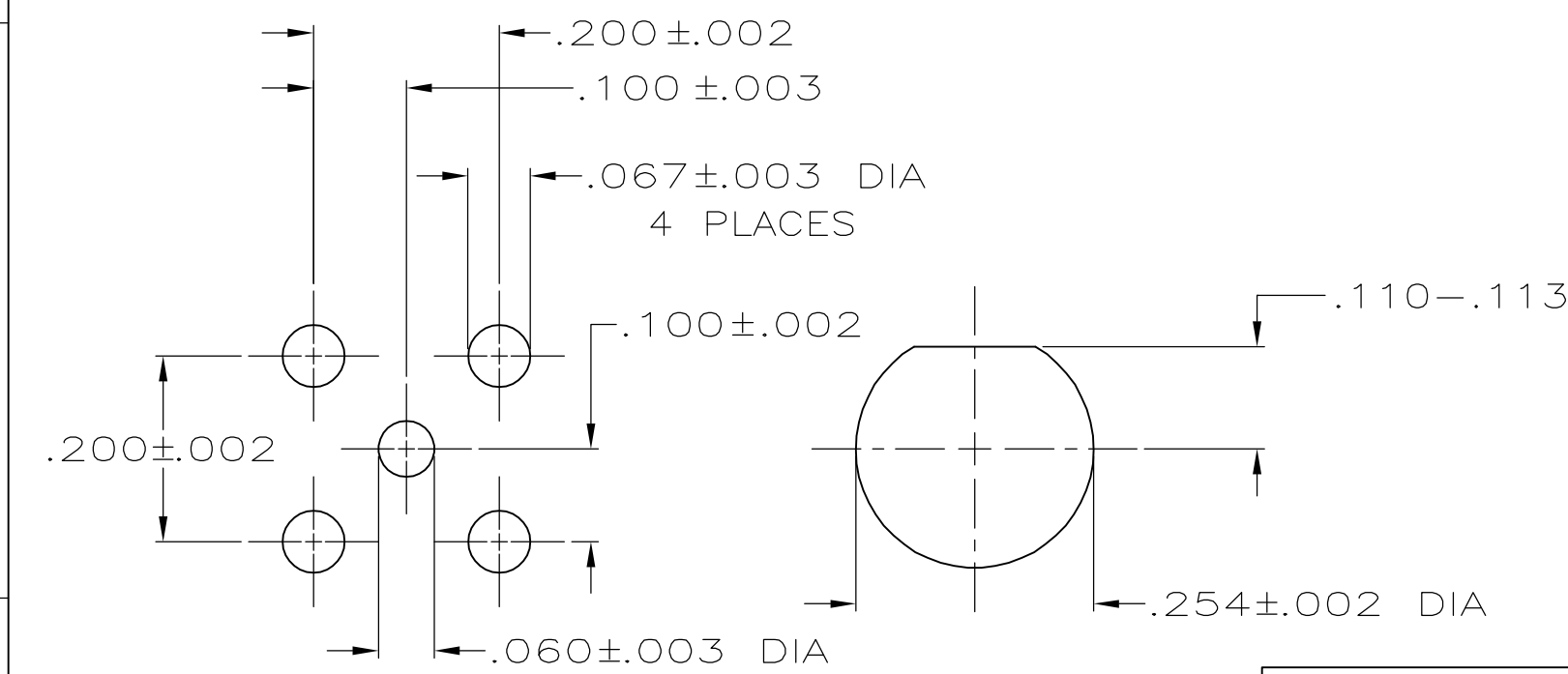
1

THIS DRAWING IS UNPUBLISHED. RELEASED FOR PUBLICATION
 © COPYRIGHT - BY TYCO ELECTRONICS CORPORATION. ALL RIGHTS RESERVED.

LOC	DIST	REVISIONS					
AJ	16	P	LTR	DESCRIPTION	DATE	DWN	APVD
		0		REV PER EC-0S14-0496-04	31JAN2005	LV	JGH



1. PANEL THICKNESS: .080-.125



RECOMMENDED PCB LAYOUT

RECOMMENDED PANEL CUTOUT

1	2-332004-0	JAMNUT	3
1	1-22145-3	LOCKWASHER	2
1	5448722-1	JACK ASSEMBLY	1
QTY	PART NO	DESCRIPTION	ITEM NO

THIS DRAWING IS A CONTROLLED DOCUMENT.		DWN L. VARELA - DOCK5 31JAN2005	Tyco Electronics Corporation Harrisburg, PA 17105-3608	
DIMENSIONS: INCHES		CHK J. HAVENER 31JAN2005		
TOLERANCES UNLESS OTHERWISE SPECIFIED:		APVD J. HAVENER 31JAN2005	JACK, PCB, RIGHT ANGLE, BULKHEAD MOUNTED, 3.5 MM BLIND MATE	
0 PLC ± - 1 PLC ± - 2 PLC ± - 3 PLC ± .010 4 PLC ± - ANGLES ± -		PRODUCT SPEC	RESTRICTED TO	
MATERIAL		APPLICATION SPEC	SIZE	CAGE CODE
FINISH		WEIGHT	DRAWING NO	
-		-	A3 00779 C-5448089	
CUSTOMER DRAWING			SCALE	SHEET
			5:1	1 OF 1
				REV
				0