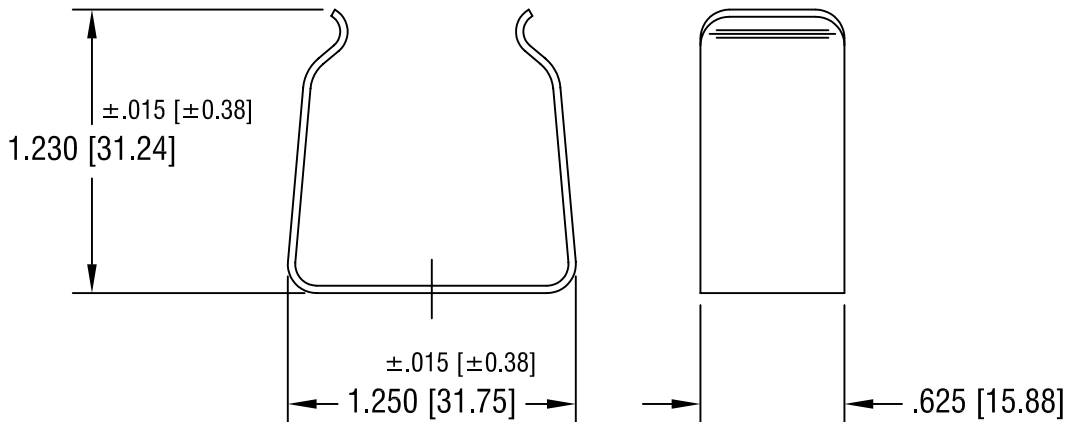
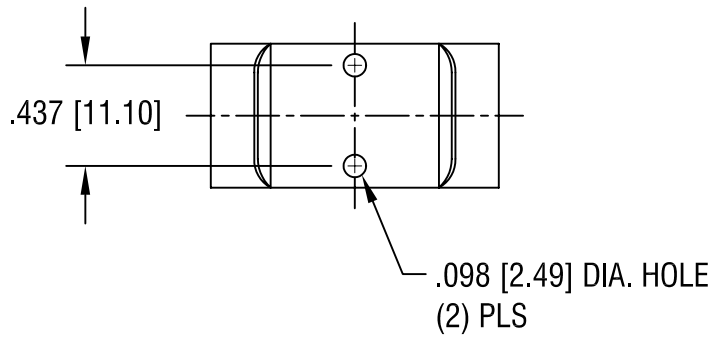


THIS DOCUMENT IS THE PROPERTY OF
KEYSTONE ELECTRONICS CORP. AND
SHALL NOT BE REPRODUCED, DISTRIBUTED
OR USED AS A BASIS FOR MANUFACTURE
WITHOUT PRIOR WRITTEN PERMISSION
FROM KEYSTONE ELECTRONICS CORP.



KEYSTONE ELECTRONICS CORP.

ASTORIA, N.Y. 11105-2017

PART NAME

COMPONENT CLIP, 'D' CELL

MATERIAL

.032 [0.81] TH'K ALUMINUM 2024-T3

FINISH

-

DRN BY

BOONE

DATE

11.3.81

APPD

LN

SCALE

1.2X

TOLERANCES

INCH [MM]

DECIMAL ± .005 [± 0.15]

ANGULAR ± 1°

UNLESS OTHERWISE SPECIFIED

CODE

C

DWG NO.

94

1.8.01 CHANGE AS PER ECN 01-004

A

DATE

DESCRIPTION

REV.