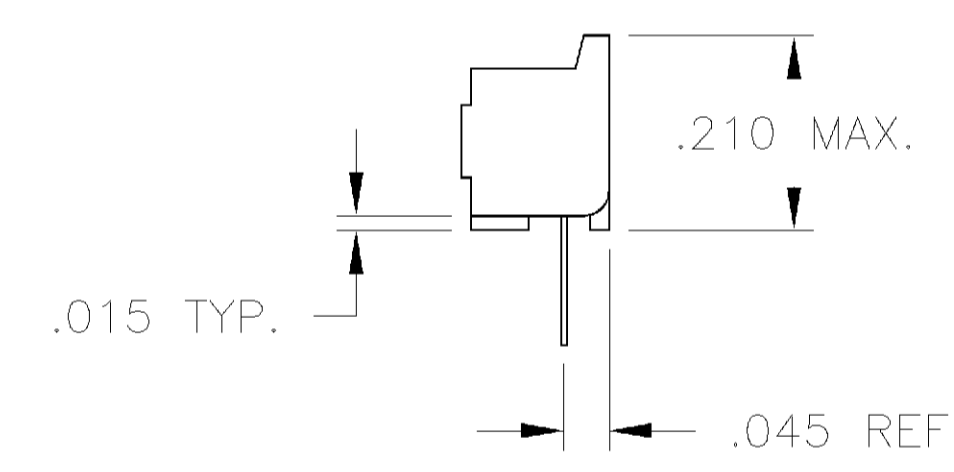
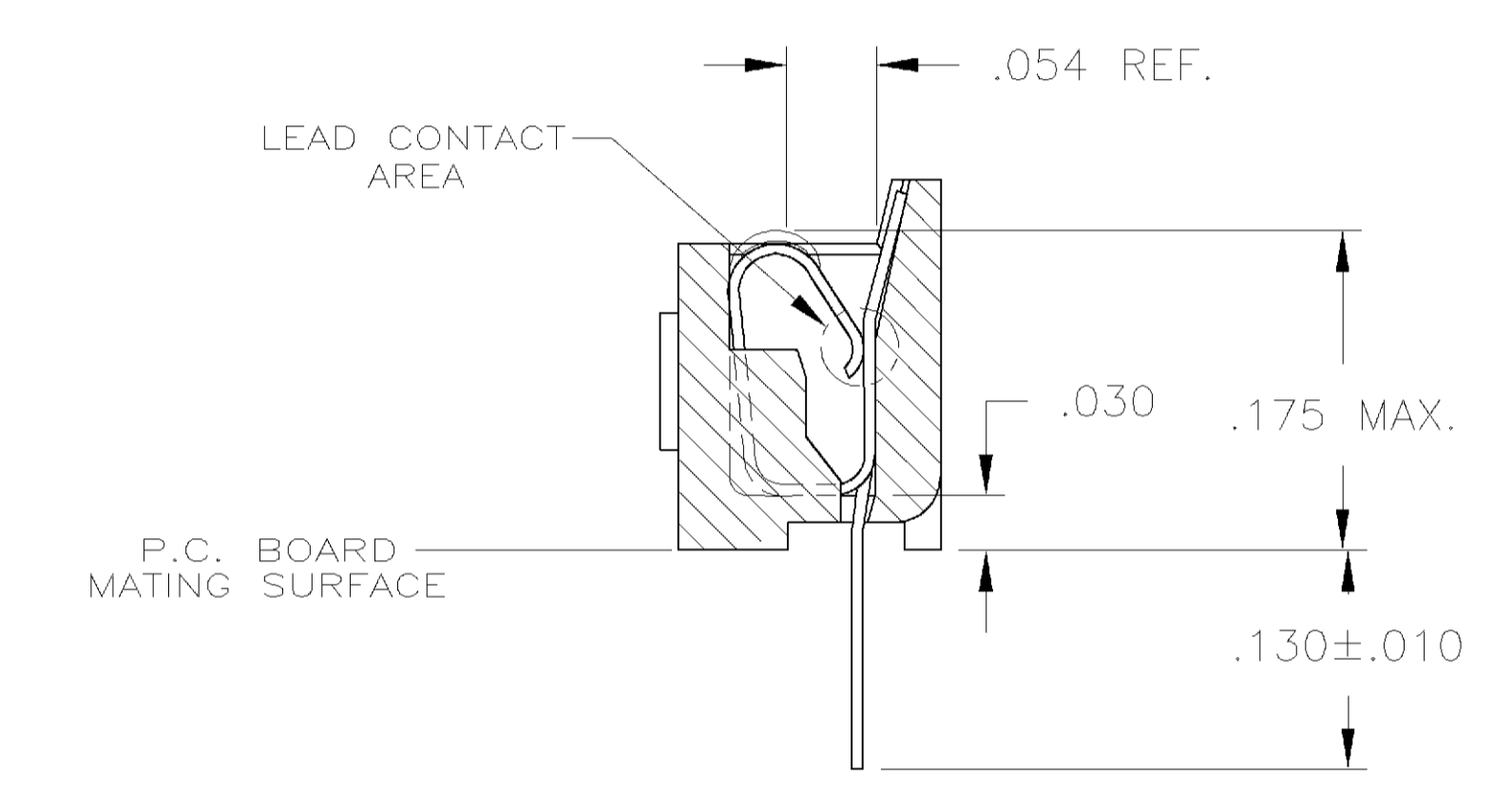


SECTION A-A
 ROTATED 90° CW
 SCALE 10:1
 FOR -6, -7 & -8 ONLY



1. RECEPTACLE ACCEPTS AN .008-.014 THK. I.C. LEAD.
- ② TWO .000030 MIN. THK. GOLD STRIPES IN CONTACT AREA, TIN-LEAD(93-7) ON CONTACT LEGS, BALANCE OF CONTACT NICKEL PLATED.
- ③ TWO .000015 MIN. THK. GOLD STRIPES IN CONTACT AREA, TIN-LEAD(93-7) ON CONTACT LEGS, BALANCE OF CONTACT NICKEL PLATED.



SECTION A-A
 ROTATED 90° CW
 SCALE 10:1
 FOR -1, -2 & -3 ONLY

OBSOLETE	TINNED	PHOS BRONZE	GLASS-FILLED THERMOPLASTIC UL94V-0, BLACK	643654-8
OBSOLETE	③	BE.CU.	GLASS-FILLED THERMOPLASTIC UL94V-0, BLACK	643654-7
OBSOLETE	TINNED	BE.CU.	GLASS-FILLED THERMOPLASTIC UL94V-0, BLACK	643654-6
SUPSD BY 643654-2	③	PHOS BRONZE	GLASS-FILLED THERMOPLASTIC UL94V-0, BLACK	643654-4
OBSOLETE	TINNED	PHOS BRONZE	GLASS-FILLED THERMOPLASTIC UL94V-0, BLACK	643654-3
OBSOLETE	③	BE CU	GLASS-FILLED THERMOPLASTIC UL94V-0, BLACK	643654-2
	TIN-LEAD PLATE	BE CU	GLASS-FILLED THERMOPLASTIC UL94V-0, BLACK	643654-1
	CONTACT FINISH	TINNED	HOUSING MATERIAL AND COLOR	PART NUMBER

THIS DRAWING IS A CONTROLLED DOCUMENT.

DIMENSIONS: INCHES	TOLERANCES UNLESS OTHERWISE SPECIFIED:	DWN: M. FISSEL 6-1-84	Tyco Electronics Corporation Harrisburg, PA 17105
0 PLC ± - 1 PLC ± - 2 PLC ± - 3 PLC ± .005 4 PLC ± ± ANGLES ± ±	0.001 0.002 0.005 0.010 0.015 0.030	CRK: N. JONES 5-18-84 APVD: J. GRAY 5-22-84 PRODUCT SPEC: 108-1066 APPLICATION SPEC: 114-1049	
MATERIAL: SEE TABLE	FINISH: SEE TABLE	WEIGHT: -	CUSTOMER DRAWING SCALE: 5:1 SHEET: 1 OF 1 REV: M