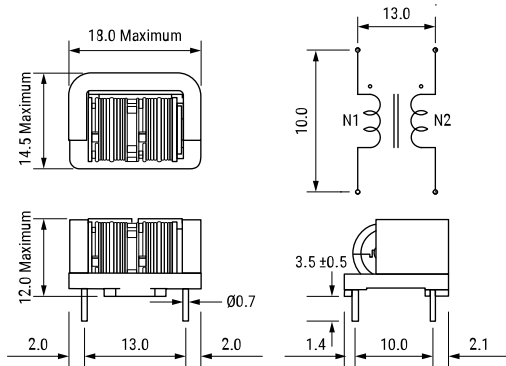


KEMET, SSRH7H-M, Commercial Grade, 0.0169 H



Dimensions

| | |
|-----------|----------------|
| L | 18mm MAX |
| T | 14.5mm MAX |
| H | 12mm MAX |
| S | 10mm NOM |
| S1 | 13mm NOM |
| LL | 3.5mm +/-0.5mm |
| F | 0.7mm NOM |

Packaging Specifications

| | |
|----------------------------|-------|
| Weight: | 5.2 g |
| Packaging: | Bulk |
| Packaging Quantity: | 600 |

General Information

| | |
|-----------------------|---|
| Series: | SSRH7H-M |
| Style: | Through-Hole Choke |
| Description: | Common Mode Filter, SSRH Coils, SSRH7H-M series High Impedance Type |
| RoHS: | Yes |
| Miscellaneous: | Temperature Rise Maximum: 55 K |
| Notes: | M08 Lot No. |

Specifications

| | |
|------------------------------|------------------|
| Inductance: | 16.9 mH (10 kHz) |
| Temperature Range: | -25/+120C |
| Rated Temperature: | 120C |
| Current: | 0.8 Amps |
| Voltage AC: | 250 VAC |
| Withstanding Voltage: | 2400 VDC |