

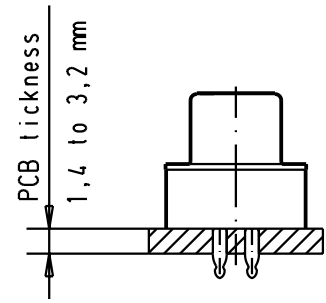
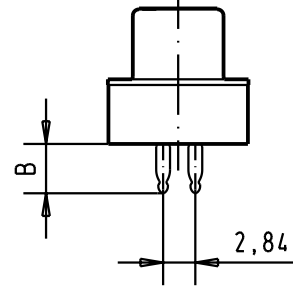
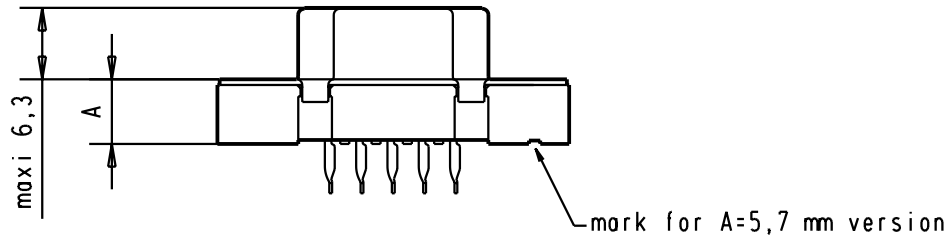
5

4

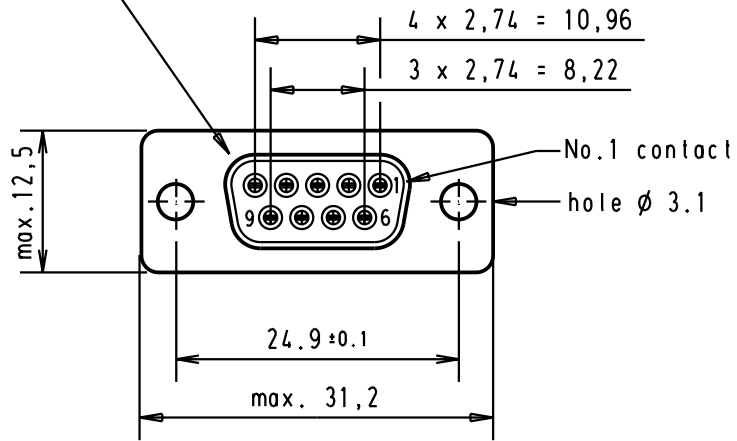
3

2

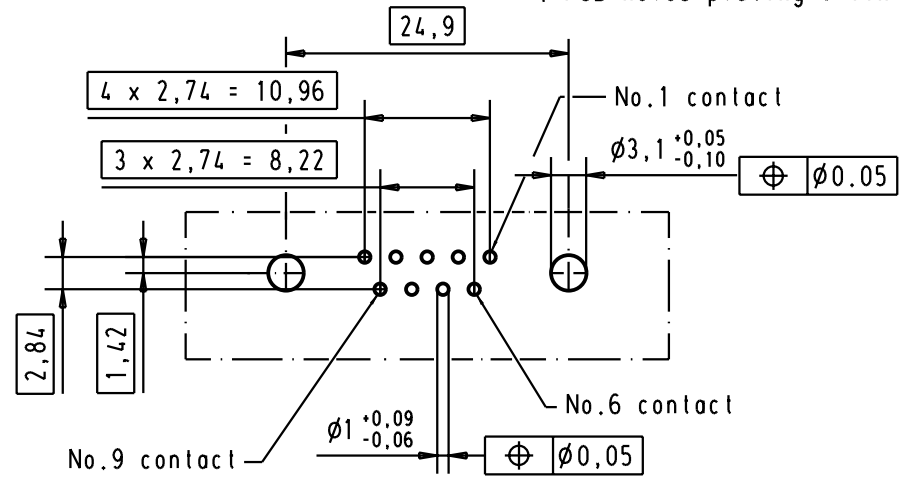
1



Mating face according to : MIL-C-24308 / DIN 41652 / CECC 75301-802

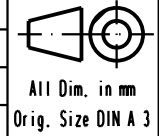


PCB layout hole component side ( PCB holes plating : Tin )



09661147500	3	6	4.20																
09661146500	2	6	4.20																
09661145500	0.76 $\mu$ m Au	6	4.20																
09661147504	3	5.7	4.35	31079	29-AUG-02	CV													
09661146504	2	5.7	4.35	27980	05/03/01	jfb													
09661145504	0.76 $\mu$ m Au	5.7	4.35	16236	30/06/95	jfb													
Part number	Performance level	A $\pm$ 0.2	B $\pm$ 0.2	Mod.	Dat.	Name													

	Dat.	Name
Detail.	08/12/94	jfb
Insp.		
Stand.		



D-Sub 09 poles straight female connector with press-in termination, version  $\phi$  3.1 hole.

Maßstab/  
Scale  
2,5:1

HARTING EURL  
F-95972 Paris



TB 0966114x50x

Blatt/ Page  
1

Sub.