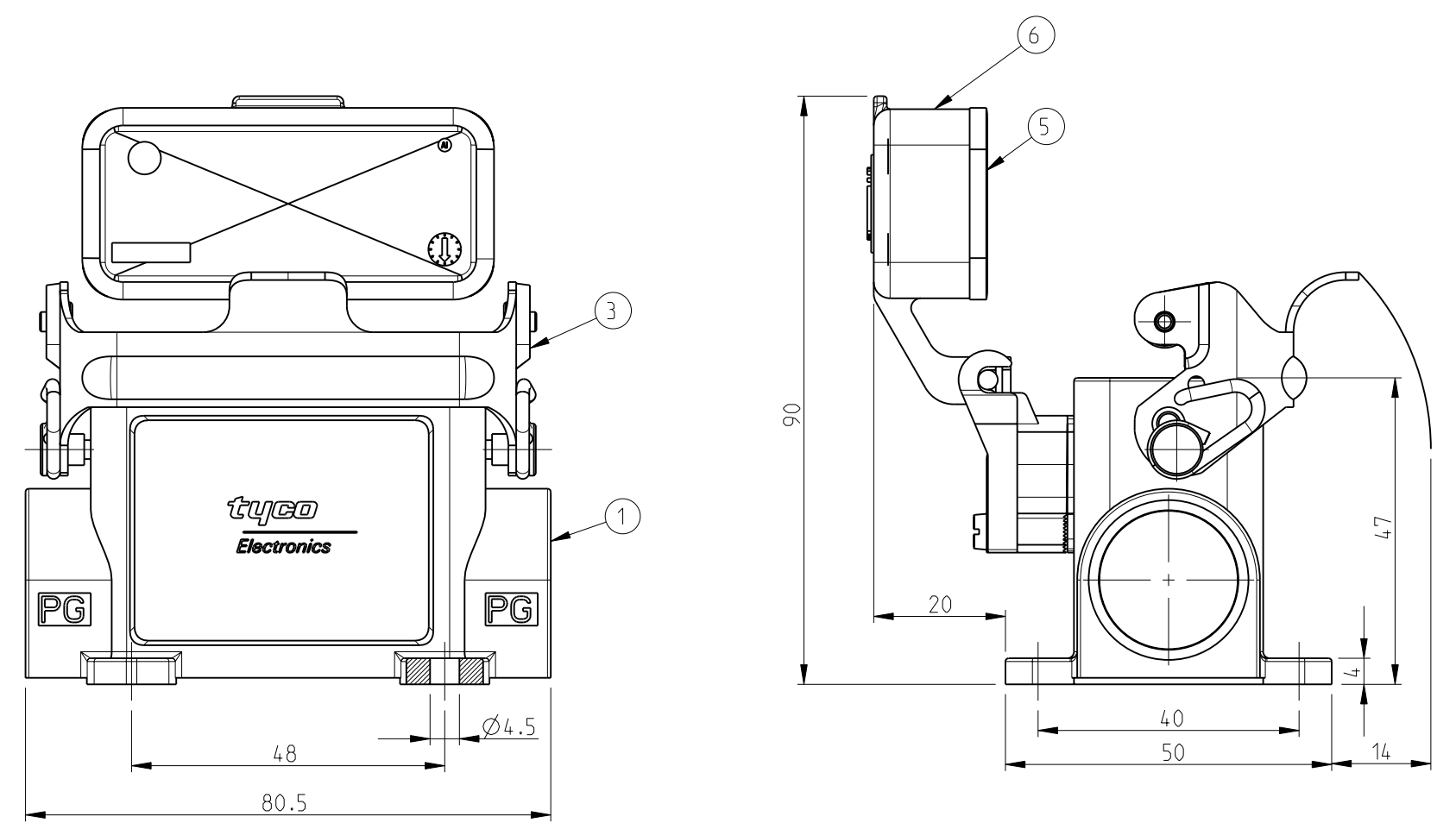


THIS DRAWING IS UNPUBLISHED. RELEASED FOR PUBLICATION 2000  
 © COPYRIGHT 2000 BY TYCO ELECTRONICS CORPORATION. ALL RIGHTS RESERVED.

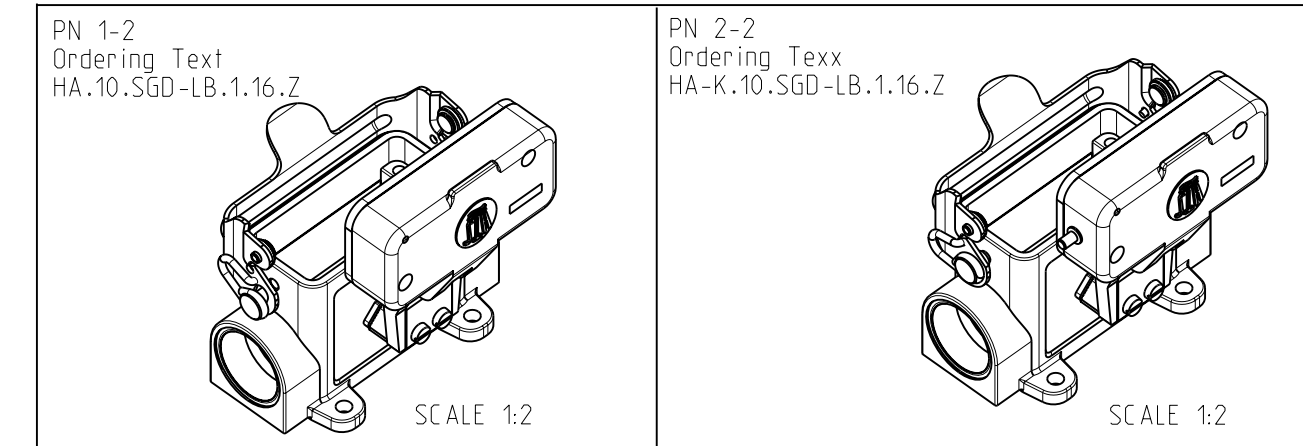
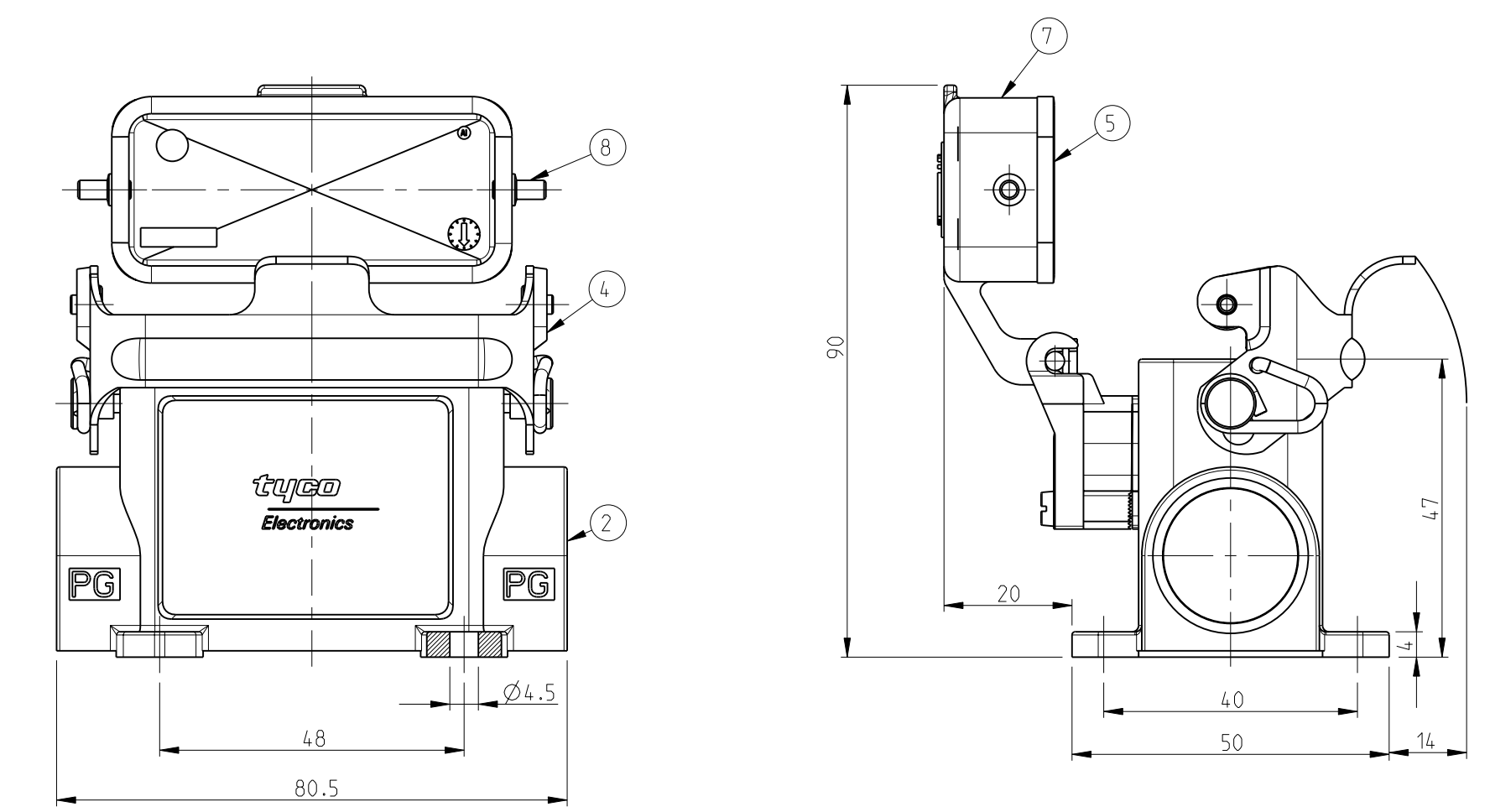
LOC		DIST		REVISIONS			
P	LTR	DESCRIPTION	DATE	DWN	APVD		
A1	-						
	B2	RELEASED AS PER ECR-09-005170	05.MAR.2009	GG	TS		

PN 1-2



- NOTES
- 1 MATERIAL:HOUSING:ALUMINIUM DIECASTING ALLOY  
SEALS:NEOPRENE
  - 2 SURFACE:VARNISH-GREY
  - 3 PACKAGING QUANTITY:5 PIECES PER BOX
  - 4 VARNISH ON THE INSIDE NOT NECESSARY

PN 2-2



QTY	DESCRIPTION	MATERIAL	SURFACE	COLOR	ITEM NO	REMARKS
2	CLIP BOLT	STAINLESS STEEL		BLANK	8	-
1	COVER HA 10	ALUMINIUM	ALUMINIUM OXIDE	BLACK	7	-
- 1	COVER HA 10	ALUMINIUM	-	GREY	6	-
1	PROFILE SEAL	NEOPRENE		BLACK	5	-
1	CLIP	STAINLESS STEEL		BLANK	4	-
- 1	CLIP	STEEL	ZINC PLATED	BLUE	3	-
1	SURFACE MOUNTED HOUSING	ALUMINIUM	ALUMINIUM OXIDE	BLACK	2	-
- 1	SURFACE MOUNTED HOUSING	ALUMINIUM	-	GREY	1	-

THIS DRAWING IS A CONTROLLED DOCUMENT FOR TYCO ELECTRONICS CORPORATION. IT IS SUBJECT TO CHANGE AND THE CONTROLLING ENGINEERING ORGANIZATION SHOULD BE CONTACTED FOR THE LATEST REVISION.

DWN: S.KUMAR 02.27.2006  
 CHK: R.SRINIVAS 02.27.2006  
 APVD: T.SCHNURPFEL 02.27.2006

Tyco Electronics Tyco Electronics, AMP.GmbH  
 53757 Sankt Augustin, Germany

NAME: SURFACE MOUNTED HOUSING-SIDE ENTRY  
 HA.10.SGD-LB.1.16.Z

SIZE: A2 CAGE CODE: 00779 DRAWING NO: 1102128 RESTRICTED TO: -

MATERIAL: 1 FINISH: 2

PRODUCT SPEC APPLICATION SPEC WEIGHT: -

CUSTOMER DRAWING SCALE: 1:1 SHEET: 1 OF 1 REV: B2