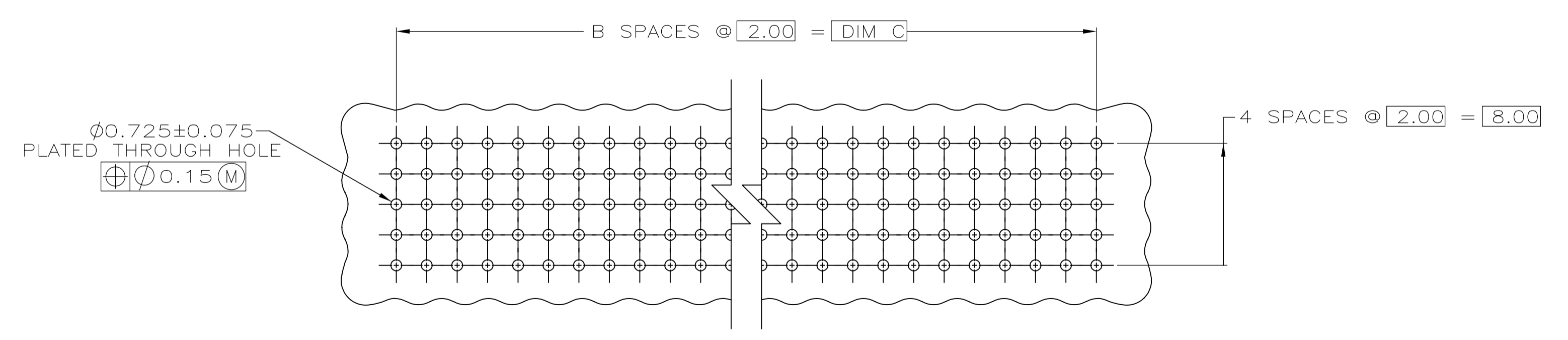
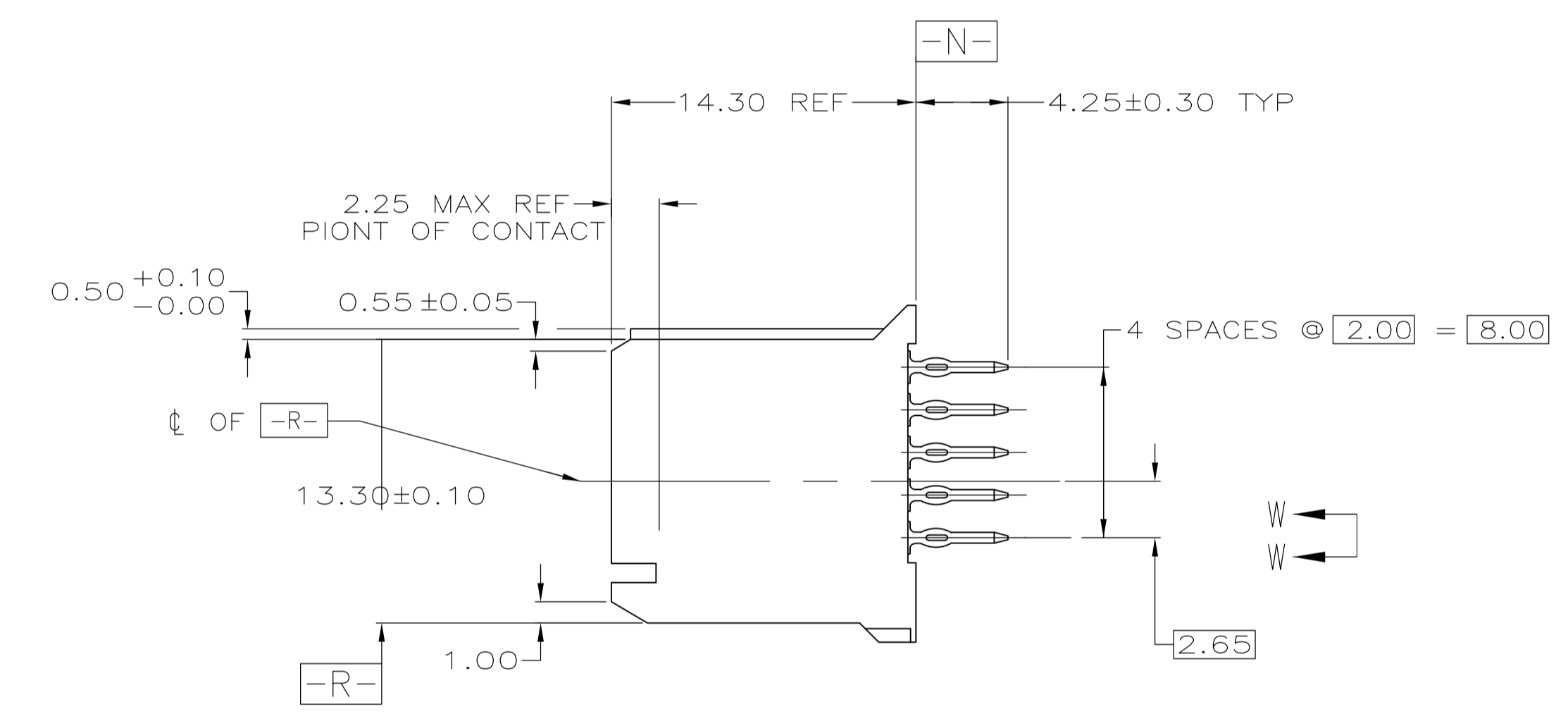
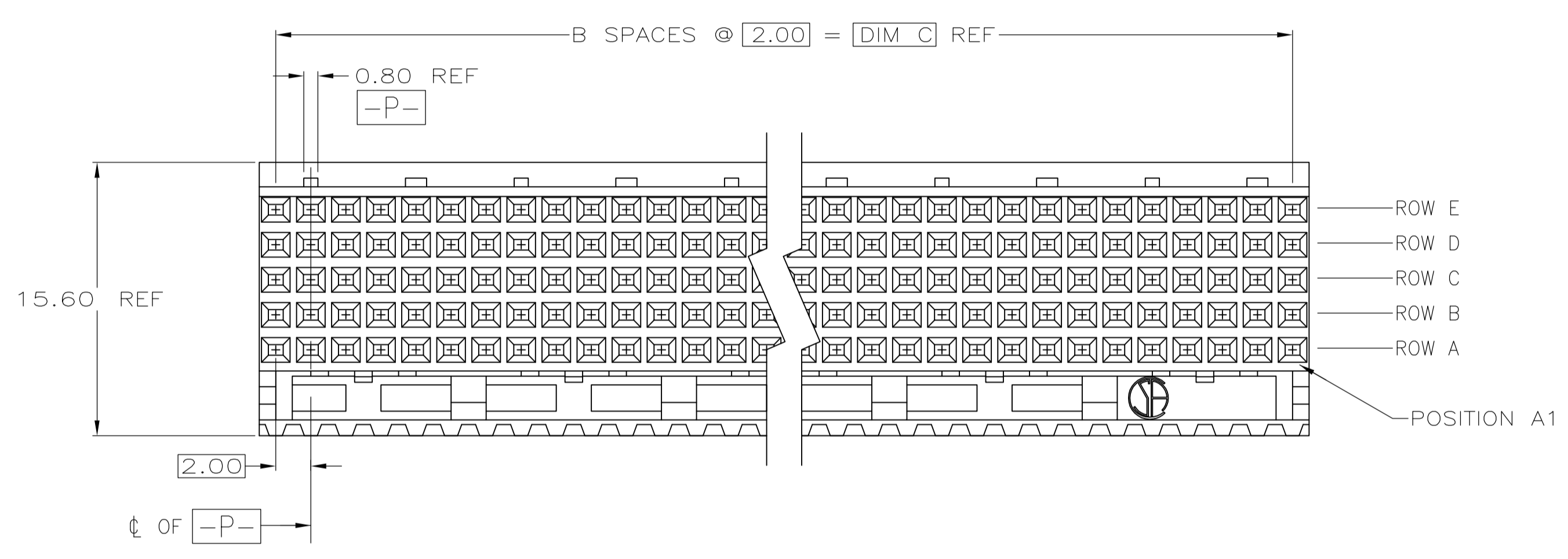
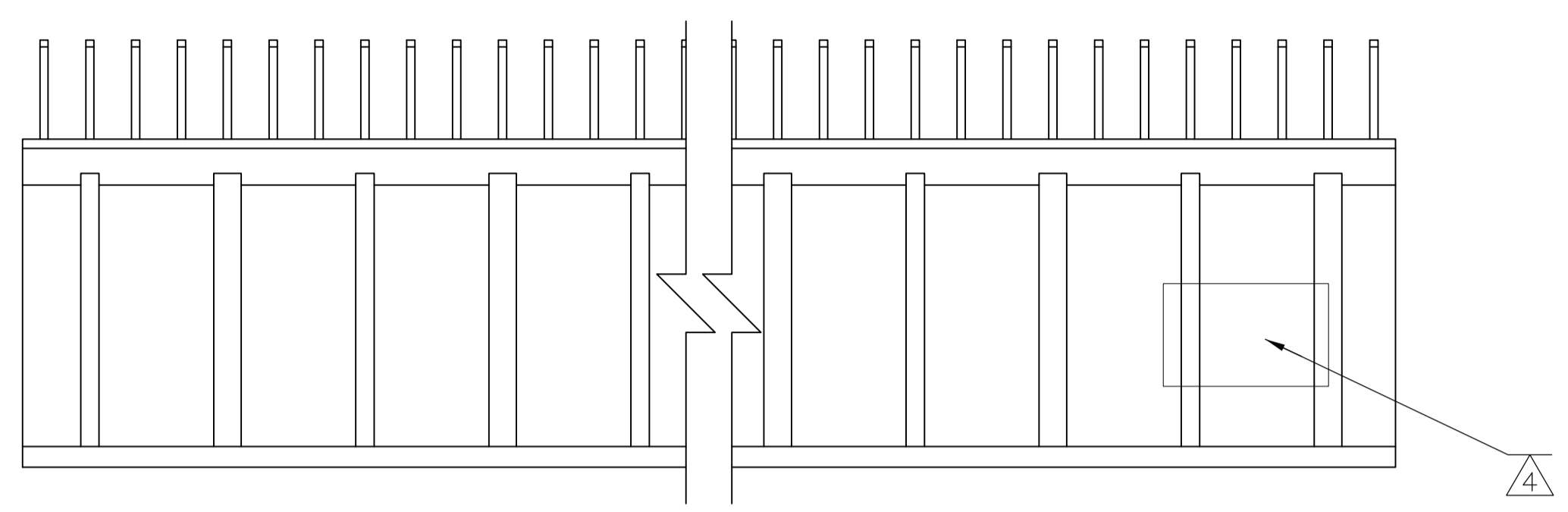


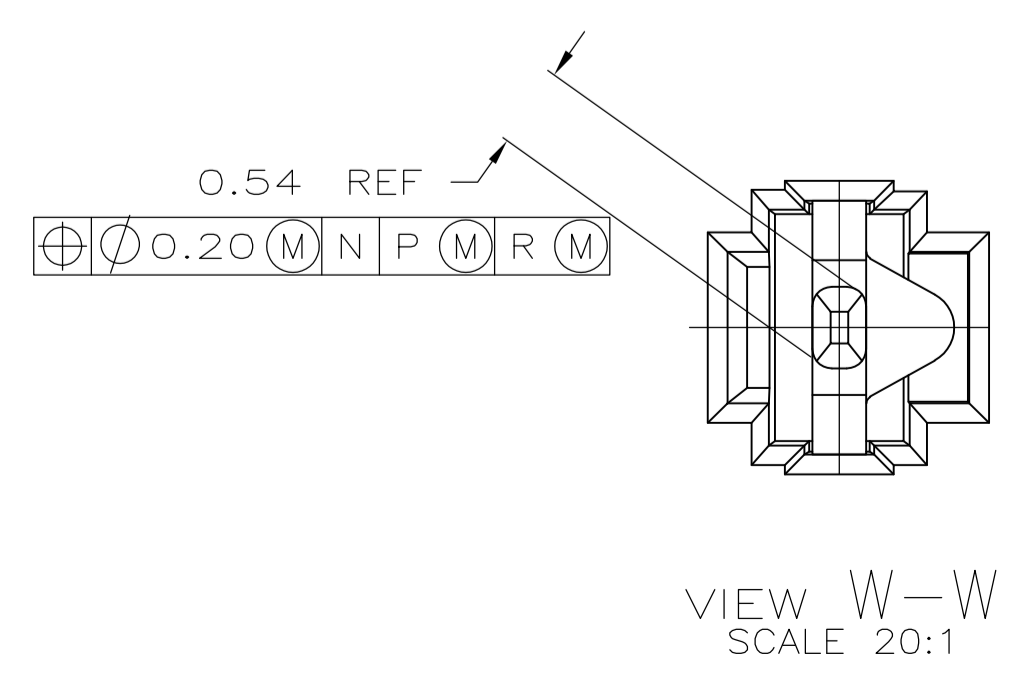
LOC		DIST		REVISIONS			
AD	00	REV	DATE	BY	CHKD	APPD	REV
A		REVISED PER EC 0512-0213-05	13JUL05	JDP			RW
A1		REVISED PER ECO-09-024606	31OCT09	KK			AEG

- 1 HOUSING MATERIAL: LIQUID CRYSTAL POLYMER. COLOR: NATURAL
- 2 CONTACT MATERIAL: PHOSPHOR-BRONZE
- 3 CONTACT FINISH:(B)
 UNDERPLATE (ENTIRE CONTACT):
 0.00127 MIN NICKEL PER SAE-AMS-QQ-N-290
 ON MATING SURFACES:
 CONFORMS TO ALL TESTING SPECIFIED FOR TELCORDIA UNCONTROLLED ENVIRONMENT.
 ON LEADS:
 0.0006 MIN MATTE TIN PER ASTM B 545 OVER UNDERPLATE.
 LUBRICATION (MIN MATING SURFACES):
 SURFACE CONDITIONER AFTER PLATING.

- 4 PART MARKING, LOCATED APPROXIMATELY AS SHOWN.
- 5 OBSOLETE PARTS: OBSOLETE CIS STREAMLINING PER D.RENAUD/D.SINISI



RECOMMENDED CIRCUIT PATTERN
(COMPONENT SIDE)



VIEW W-W
SCALE 20:1

	DIM C	B	DIM A	NUMBER OF SIGNAL POSITIONS	PART NUMBER
5 OBSOLETE	94.00	47	95.88	240	-5223652-8
	82.00	41	83.88	210	5223652-7
5 OBSOLETE	70.00	35	71.88	180	-5223652-6
	58.00	29	59.88	150	-5223652-5
5 OBSOLETE	46.00	23	47.88	120	5223652-4
	34.00	17	35.88	90	-5223652-3
5 OBSOLETE	22.00	11	23.88	60	5223652-2
	10.00	5	11.88	30	5223652-1

THIS DRAWING IS A CONTROLLED DOCUMENT.

DIMENSIONS: mm	TOLERANCES UNLESS OTHERWISE SPECIFIED:	DIN 150EC04	150EC04	Tyco Electronics Corporation Harrisburg, Pa 17105-3608
0 PLC ± -	1 PLC ± -	2 PLC ± 0.13	3 PLC ± -	4 ANGLES ± -
MATERIAL	FINISH	REVISED BY	DATE	NAME
		R. WERTZ	150EC04	R. WERTZ
				PRODUCT SPEC
				APPLICATION SPEC
				SIZE
				CAGE CODE
				DRAWING NO
				RESTRICTED TO
				WEIGHT
				A1 00779 C=5223652
				CUSTOMER DRAWING
				SCALE 4:1 SHEET 1 OF 1 REV A1