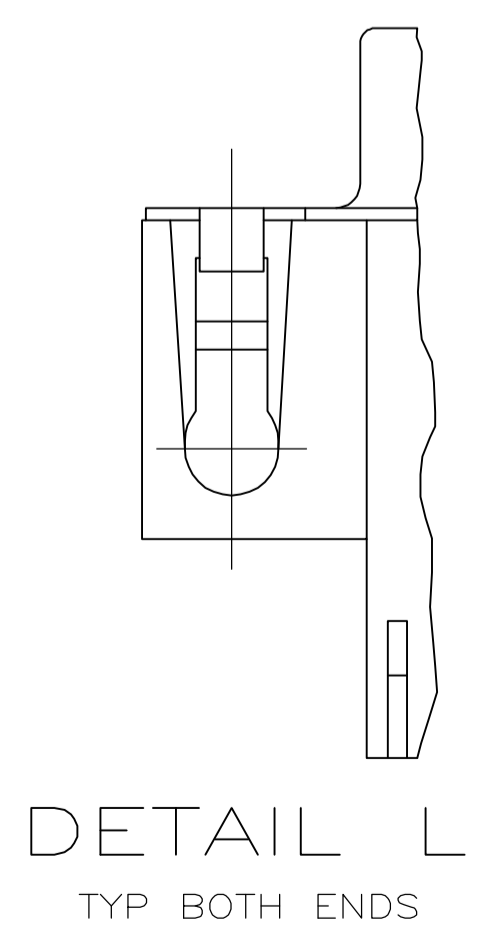
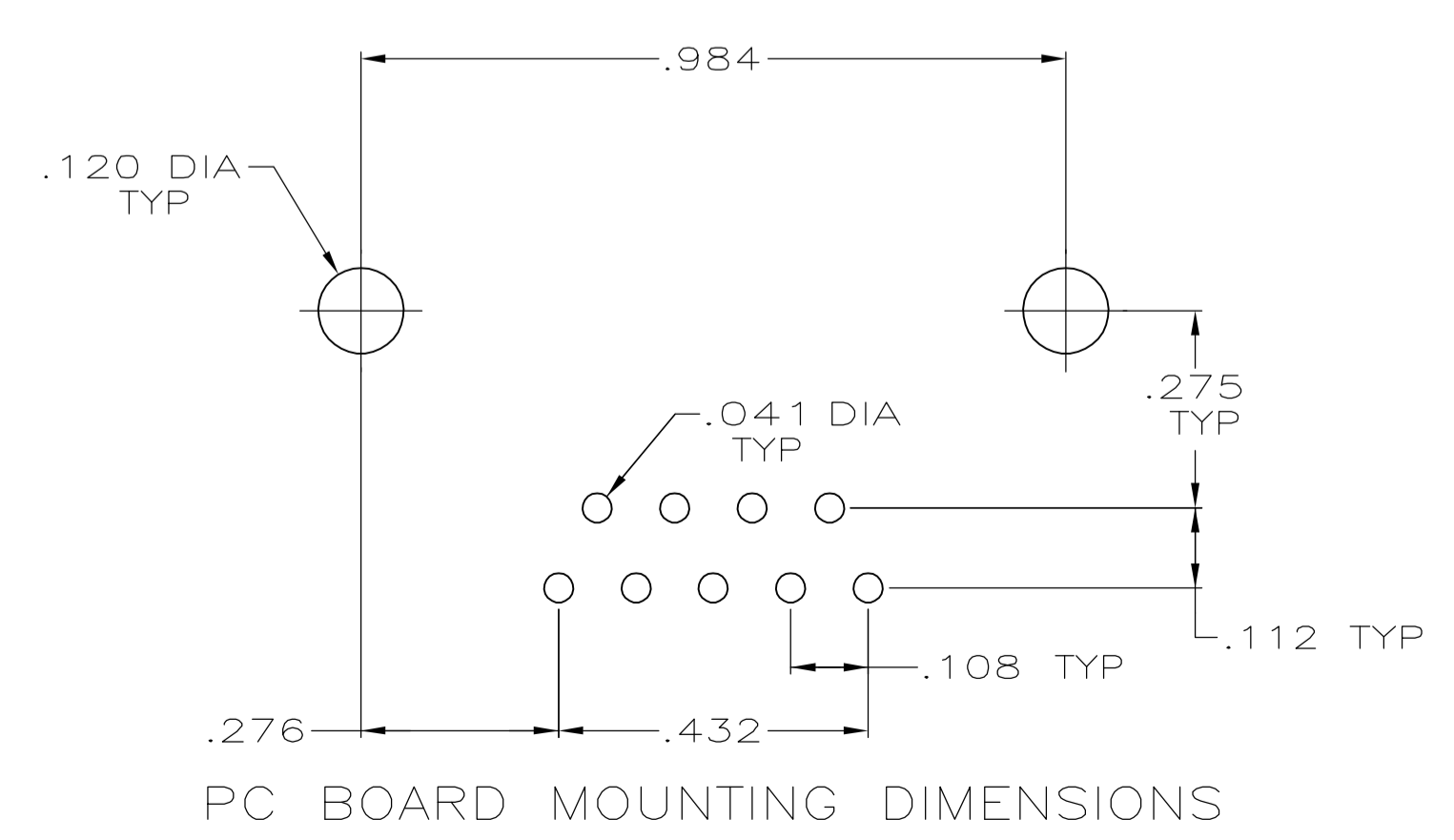
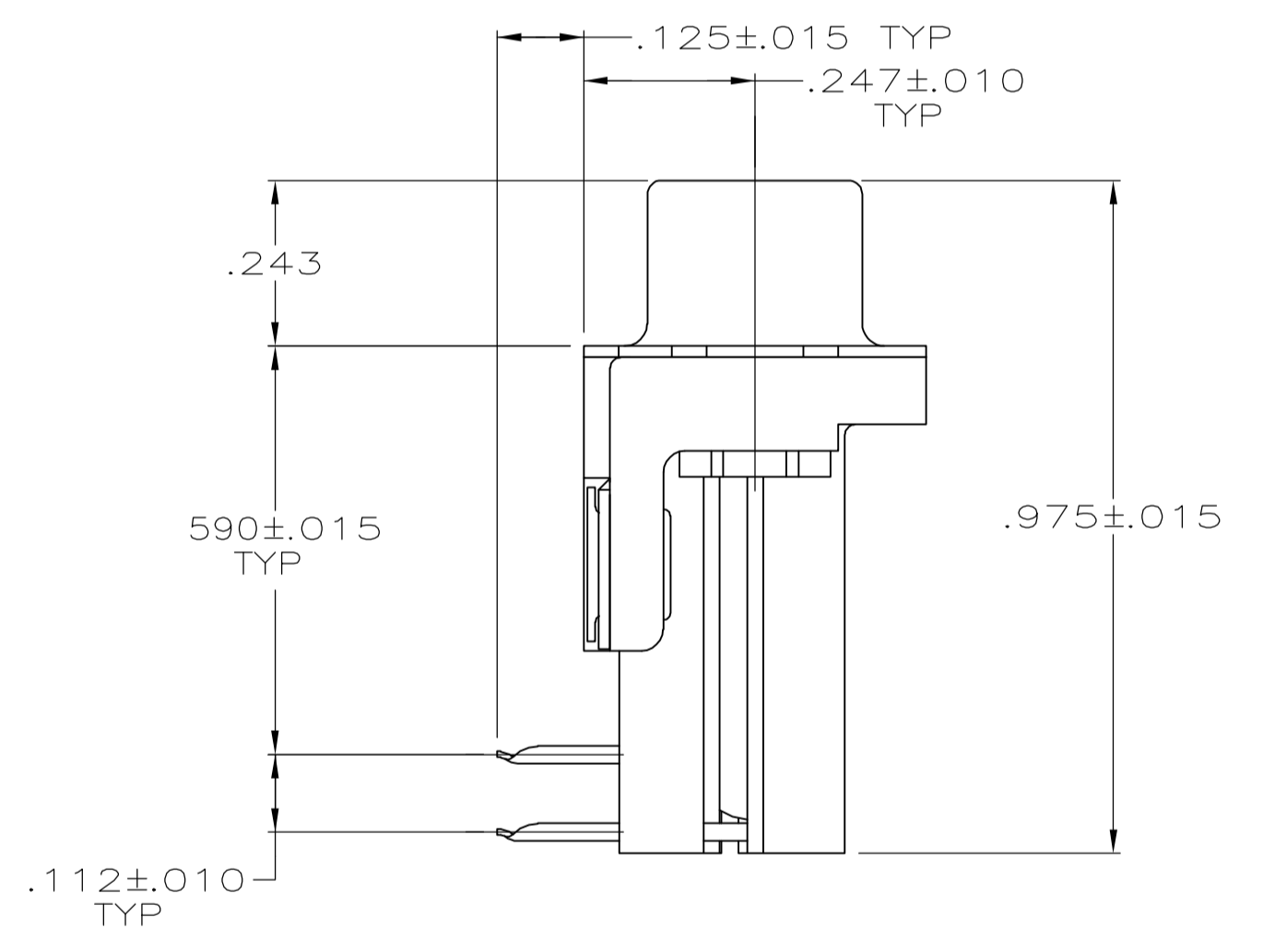
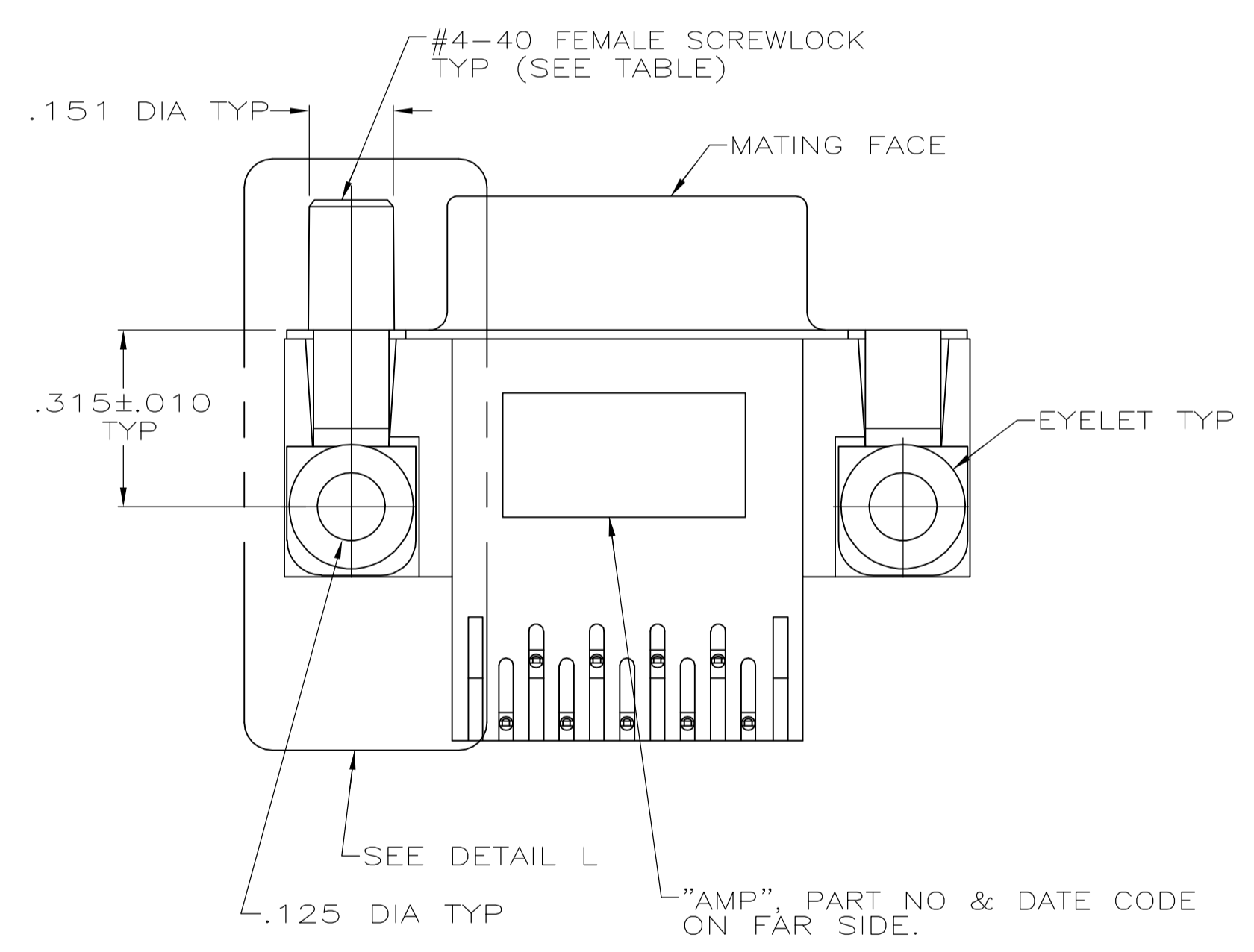
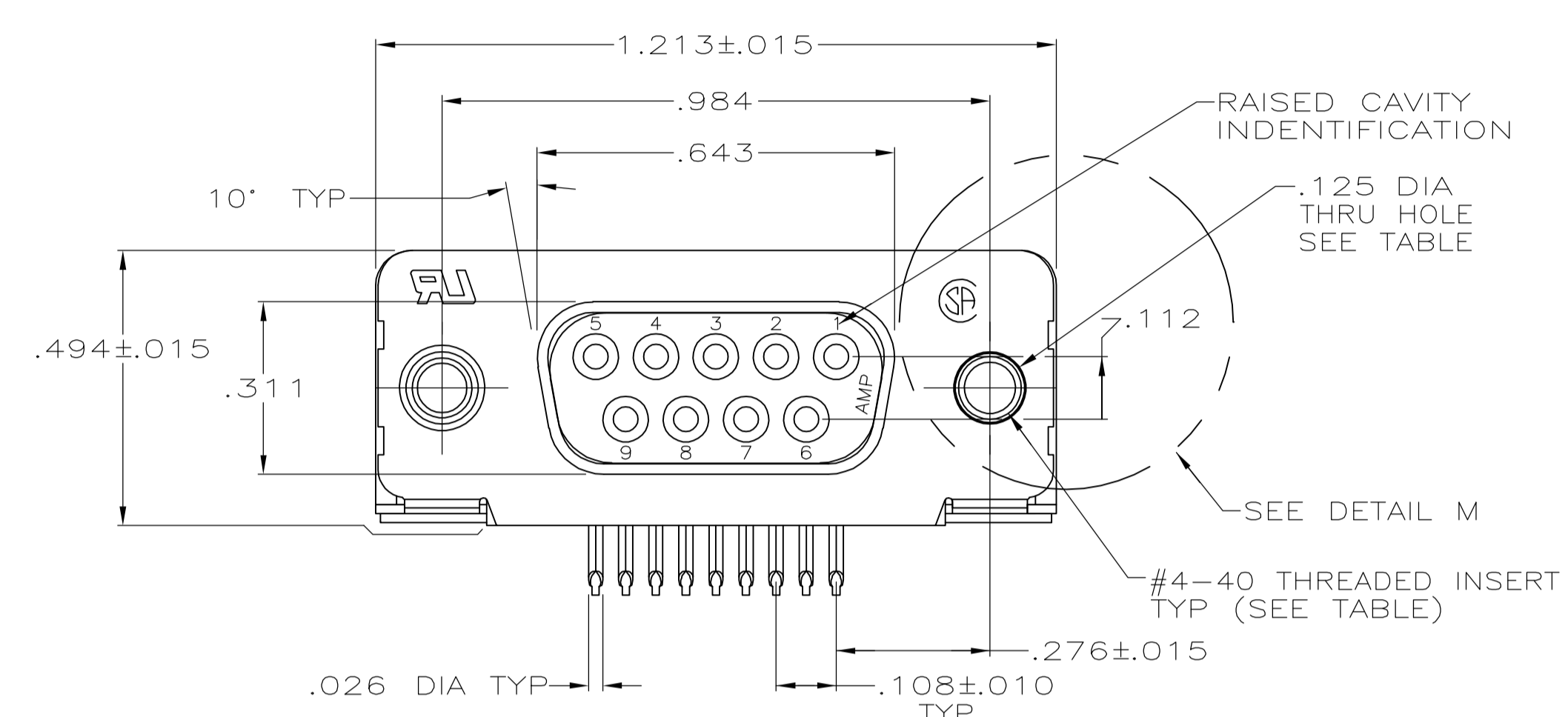


LOC		DIST		REVISIONS			
P	LTR	DESCRIPTION	DATE	DWN	APVD		
T		REV PER ECO-07-000077	2-9-07	CJV	SB		



1. CONNECTOR MATES WITH ANY 9 POSN PLUG IN AMPLIMITE™ SERIES & COMPLIES WITH AMP SPEC 108-40005 WHERE APPLICABLE.
2. MOLDED PARTS: FLAME RETARDANT 94V-0 RATED THERMOPLASTIC, BLACK.
 SHELL: STEEL PER ASTM A109
 CONTACTS: PHOSPHOR BRONZE PER QQ-B-750
 EYELETS: BRASS
 SCREWLOCKS: ZINC
 INSERTS: ZINC
3. SHELL: BRIGHT TIN PLATED
 CONTACTS: SEE TABLE
 EYELETS: TIN PLATED
 SCREWLOCKS: CLEAR CHROMATE
 INSERTS: CLEAR CHROMATE
4. GOLD PLATING PER MIL-G-45204, NICKEL PLATING PER OO-N-290, TIN PER MIL-T-10727.
5. GOLD FLASH FOR A DISTANCE OF .100 MIN FROM MATING END, TIN PLATED .000100-.000200 ON SOLDER POST, ALL OVER .000050 NICKEL.
6. .000030 GOLD FOR A DISTANCE OF .100 MIN FROM MATING END, TIN PLATED .000100-.000200 ON SOLDER POST, ALL OVER .000050 NICKEL.
7. .000015 MIN GOLD FOR A DISTANCE OF .100 MIN FROM MATING END, TIN PLATED .000100-.000200 ON SOLDER POST, ALL OVER .000050 NICKEL.

OBSOLETE	FEMALE SCREWLOCKS	CLINCH TABS (SEE DETAIL L)	7	1-745988-8
OBSOLETE	THREADED INSERTS	CLINCH TABS (SEE DETAIL L)	7	1-745988-7
OBSOLETE	.125 DIA HOLE	CLINCH TABS (SEE DETAIL L)	7	1-745988-6
OBSOLETE	FEMALE SCREWLOCKS	GROUNDING STRAPS	7	1-745988-5
SUPSD BY 745988-4	THREADED INSERTS	GROUNDING STRAPS	7	1-745988-4
OBSOLETE	.125 DIA HOLE	GROUNDING STRAPS	7	1-745988-3
OBSOLETE	FEMALE SCREWLOCKS	CLINCH TABS (SEE DETAIL L)	6	1-745988-2
OBSOLETE	FEMALE SCREWLOCKS	CLINCH TABS (SEE DETAIL L)	5	1-745988-1
SUPSD BY 745988-4	THREADED INSERTS	CLINCH TABS (SEE DETAIL L)	6	1-745988-0
OBSOLETE	THREADED INSERTS	CLINCH TABS (SEE DETAIL L)	5	745988-9
OBSOLETE	.125 DIA HOLE	CLINCH TABS (SEE DETAIL L)	6	745988-8
OBSOLETE	.125 DIA HOLE	CLINCH TABS (SEE DETAIL L)	5	745988-7
OBSOLETE	FEMALE SCREWLOCKS	GROUNDING STRAPS	6	745988-6
SUPSD BY 745988-6	FEMALE SCREWLOCKS	GROUNDING STRAPS	5	745988-5
SUPSD BY 745988-4	THREADED INSERTS	GROUNDING STRAPS	6	745988-4
SUPSD BY 745988-4	THREADED INSERTS	GROUNDING STRAPS	5	745988-3
OBSOLETE	.125 DIA HOLE	GROUNDING STRAPS	6	745988-2
OBSOLETE	.125 DIA HOLE	GROUNDING STRAPS	5	745988-1

MOUNTING HARDWARE	SHELL VERSION	CONTACT FINISH	PART NUMBER
		4	

THIS DRAWING IS A CONTROLLED DOCUMENT.		DWN J. GALLUCCI BG 1-23-91	Tyco Electronics Corporation Harrisburg, PA 17105-3608	
DIMENSIONS: INCHES		CHK R. STONE 04/26/91	APVD J.W. YOUNG 04/26/91	
TOLERANCES UNLESS OTHERWISE SPECIFIED:		NAME RCPT ASSY, SIZE 1, RTANG, W/FRONT		
0 PLC ± -	1 PLC ± -	PRODUCT SPEC 108-40025		
2 PLC ± -	3 PLC ± .005	APPLICATION SPEC 114-40010		
4 PLC ± -	ANGLES ± °	SIZE A1	DWG CODE 00779	DRAWING NO 745988
MATERIAL	FINISH	WEIGHT	SCALE 4:1	SHEET 1 OF 1
			CUSTOMER DRAWING	REV T