

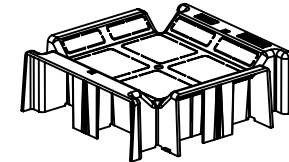
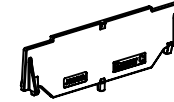
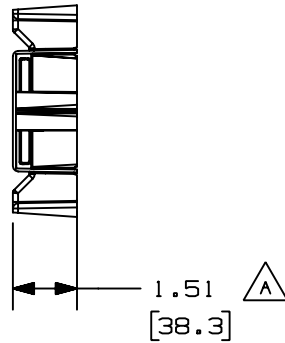
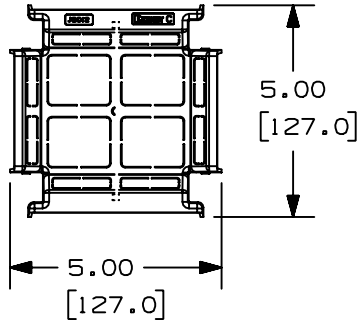
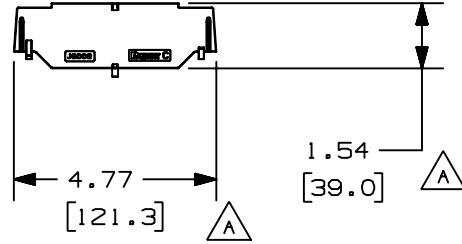
THIS COPY IS PROVIDED ON A RESTRICTED BASIS AND IS NOT TO BE USED IN ANY WAY DETRIMENTAL TO THE INTERESTS OF PANDUIT CORP.

PANDUIT P/N	WEIGHT
JBD2	1.83 LB/10 PCS (830 g/10 PCS)



NOTES:

1. SEE CURRENT CATALOG FOR ADDITIONAL PART SUFFIXES TO INDICATE COLOR AND OR PACKAGE QUANTITY.
2. BREAKOUTS FOR MAINTAINING POWER AND DATA ENTRY SEPARATION AND ROUTING.
3. DIVIDER PROVIDES POWER AND DATA SEPARATION IMMEDIATELY FROM RACEWAY.
4. DIMENSIONS IN PARENTHESES ARE IN METRIC.



CAD FILENAME/LAYERS D35713BD\_DC\_JBP2D\_02

PANDUIT CORP. TINLEY PARK, ILLINOIS

PAN-WAY 2 GANG DIVIDED INSERT  
FOR DEEP JUNCTION BOX (JBD2)  
CUSTOMER DRAWING

UNLESS OTHERWISE SPECIFIED,  
DIMENSIONAL TOLERANCES ARE:  
(.X) ± (.XXX) ±  
(.XX) ± .03(.8) ANGLES ±

UNLESS OTHERWISE SPECIFIED,  
ALL DIMENSIONS ARE GIVEN  
IN INCHES, THIRD ANGLE PROJECTION.

REV	DATE	BY	CHK	DESCRIPTION	ECN	CHK	CUST	SUP
2	1-19-00	JHNU	LD	B. PART WEIGHT WAS 1.3 LB./10 PCS.	35713-04	HIW	HIW	
1	1-14-00	JHNU	HIW	A. REV'D INSERT AND DIVIDER TO ACCOMODATE T45 RACEWAY	35713-04	HIW	HIW	
R	10-27-97	DW	HIW	RELEASED TO PRODUCTION.	35713-04	HIW	HIW	

DRAWN BY  
DW  
DATE  
10-27-97  
CHECKED BY  
HIW

MAT'L:  
POLYSTYRENE

SCALE  
NONE  
DRAWING NO.  
35713-04  
DWG  
A  
SIZE