

Ratings

Temperature: 0 ~ 70 °C
Voltage: 150 V

Conductor

Gauge: 32 AWG, 0.039 mm²
Material: tinned copper strands
Stranding: $\phi 0.05 \times 19$
Resistance at 20 °C: 590 Ω /km

Insulator

Material: HDPE
Color: black, white
Outer diameter: $\phi 0.55 \pm 0.05$ mm
Nominal thickness: 0.15 mm
Resistance at 20 °C: 1000 M Ω /km

Shield

Type: spiral
Material: tinned copper strands
Strand size: $\phi 0.08$ mm
Coverage: 90 % minimum

Outer jacket

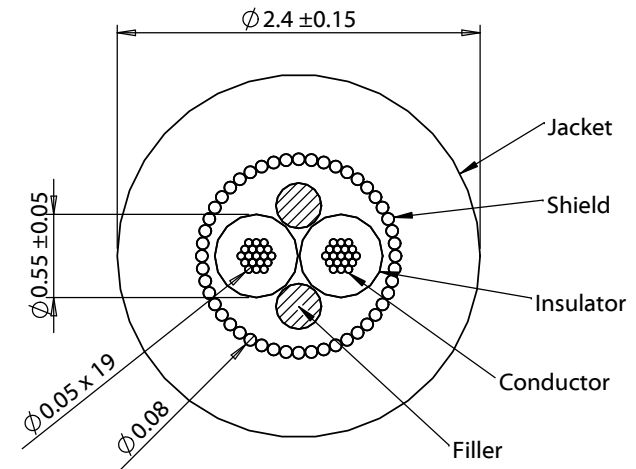
Material: TPU, 70 °C
Color: black
Nominal thickness: 0.50 mm
Diameter: $\phi 2.4 \pm 0.15$ mm

Filler

Material: kevlar

Tests

Tensile strength: 25.5 kgf
Dielectric test: 1500 V dc for 1 minute without breakdown
Bend test at 200 g, $\pm 90^\circ$, 30 cycles /min: 10,000 cycle minimum



| REVISION | DATE | DESCRIPTION | PREPARED: | NOTES | TENSILITY 20802 Sockeye Place #130 Bend, OR 97701 USA tel 541.323.3228 fax 541.323.4202 800 877.670.7118 www.tensility.com | | |
|----------|-----------|-------------------------------------|--|--|---|----------|--|
| A | 9/29/2015 | Initial release | | RoHS and REACH compliant | | | |
| A1 | 1/13/2016 | Updated notes, corrected tolerances | VERIFIED: | Jacket meets ISO 10993 Biological Compatibility | A | 30-00650 | |
| | | | | Phthalate and halogen free | SCALE: 1:1 | | |
| | | | DIMENSIONS ARE IN MILLIMETERS | Function test: no open, no short, no intermittent | SHEET 1 OF 1 | | |
| | | | TOLERANCES: X: ± 0.5 mm X.X: ± 0.3 mm X.XX: ± 0.05 mm | DESCRIPTION: Wire, 2C TS, 32 AWG, 150V, 70C, 2.4 mm, spiral shield, TPU | | | |