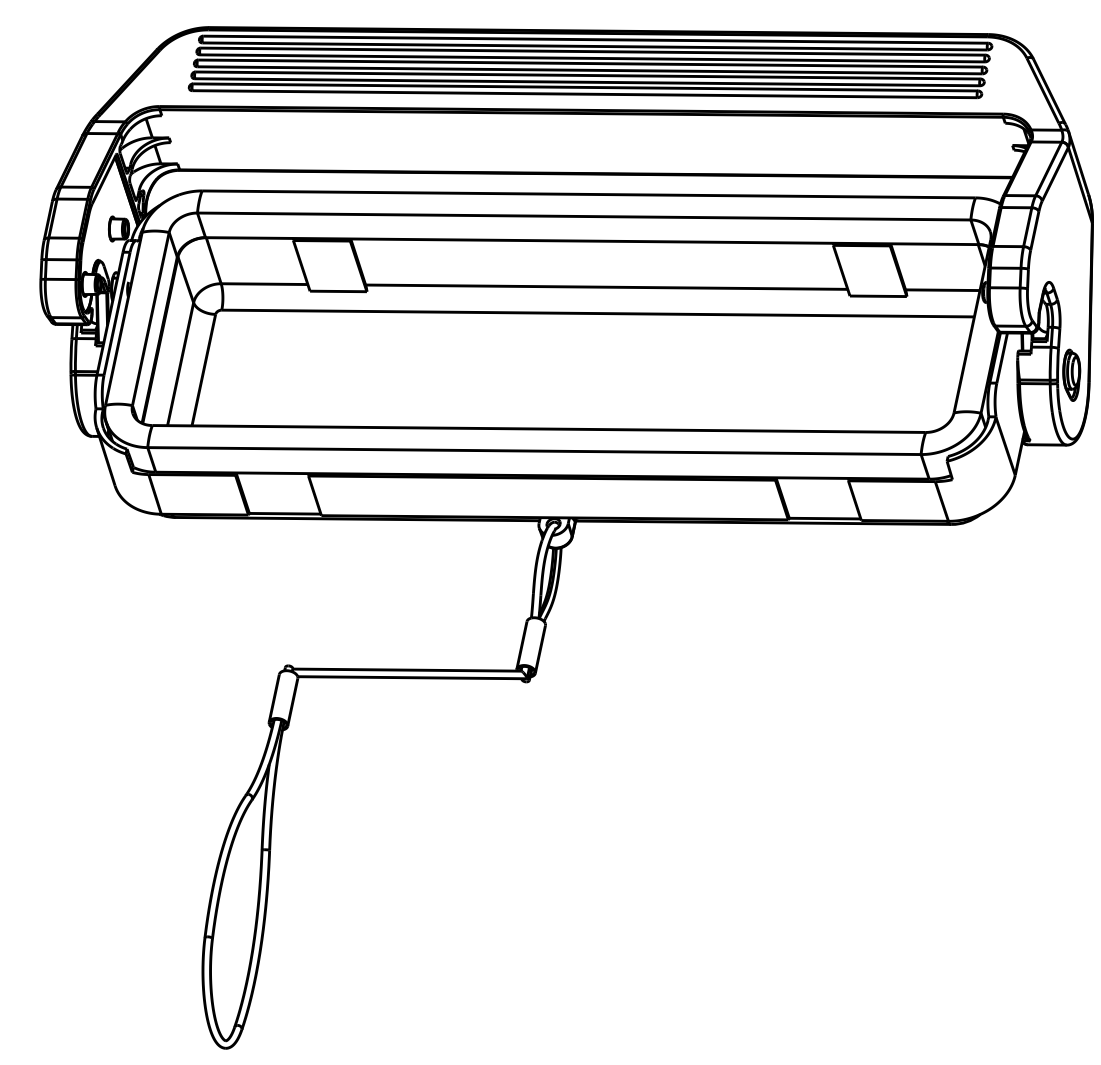
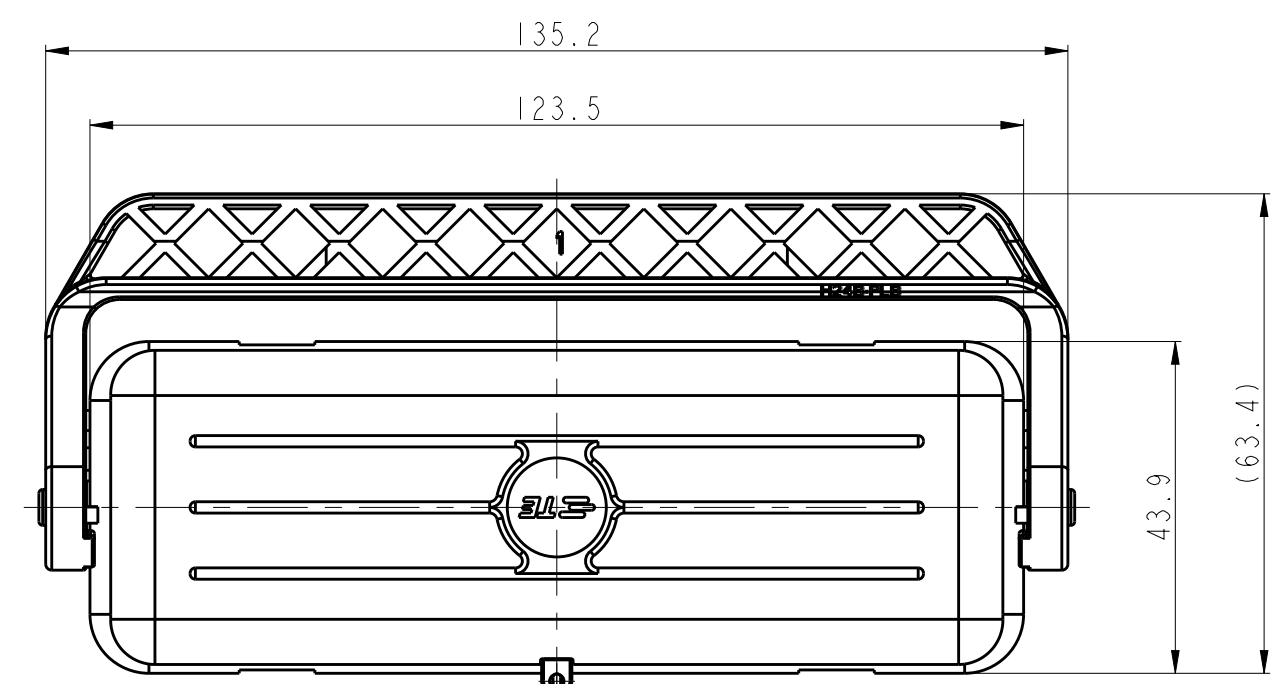


THIS DRAWING IS UNPUBLISHED. RELEASED FOR PUBLICATION  
 © COPYRIGHT copyright.d8Te ALL RIGHTS RESERVED.

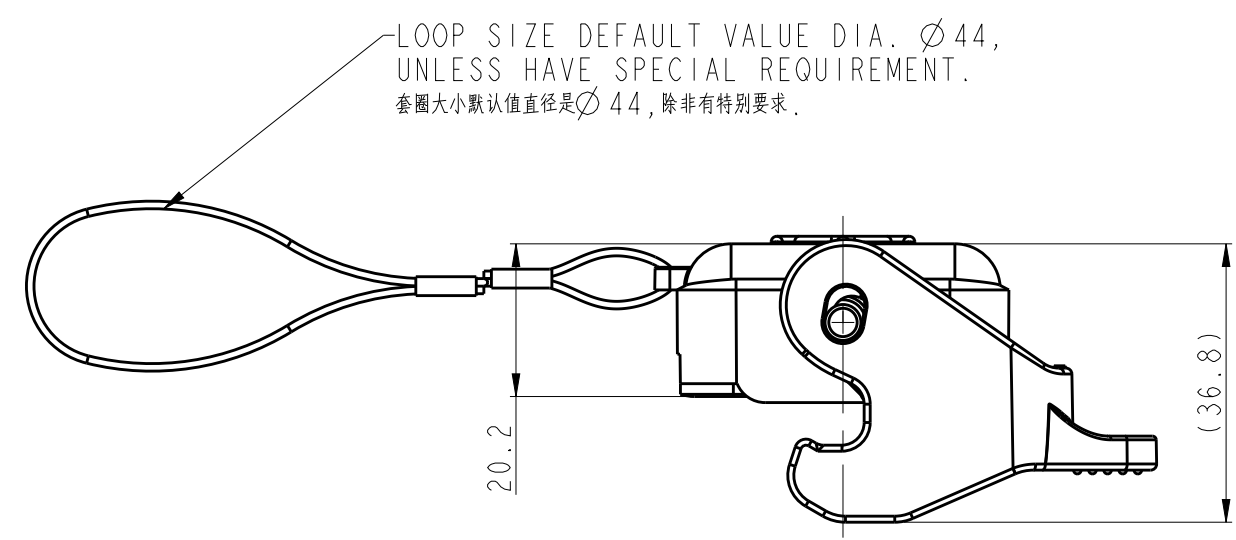
REVISIONS				
P	LTR	DESCRIPTION	DATE	APVD
	A	INITIAL	22JUN2017	CH CW



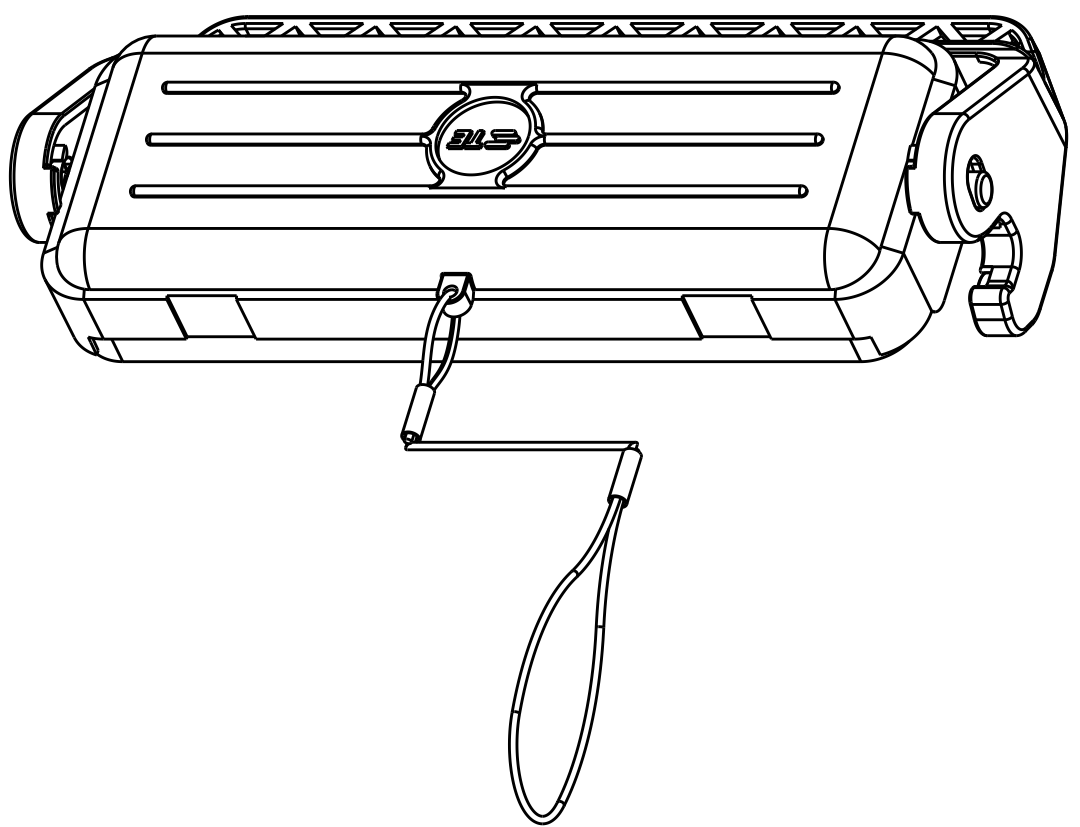
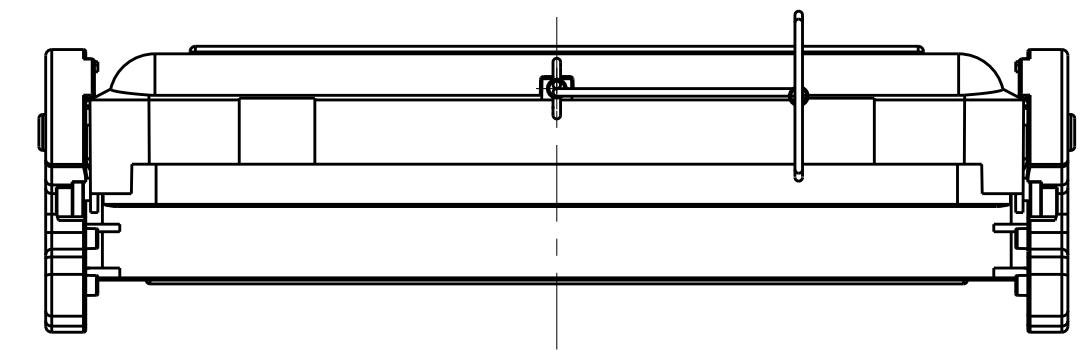
NOTES:  
 1. TECHNICAL CHARACTERISTICS:  
 COVER MATERIAL: PC, GREY  
 PLASTIC SINGLE LOCKING MATERIAL: NYLON, GREY  
 SEALING MATERIAL: NBR, BLACK

注释:  
 1. 技术参数:  
 保护盖材质: PC, 灰色  
 塑料单扣材质: 尼龙, 灰色  
 密封材质: NBR, 黑色

TRANSPARENT NYLON ROPE:  
 TOTAL LENGTH 380mm,  
 DIA. Ø1.0mm  
 透明尼龙绳: 总长380mm, 直径Ø1.0mm



LOOP SIZE DEFAULT VALUE DIA. Ø44,  
 UNLESS HAVE SPECIAL REQUIREMENT.  
 套圈大小默认值直径是Ø44, 除非有特别要求.



T1010241500-000	H24B-KDTP-LB	H24B HOOD PLASTIC PROTECTION COVER, PLASTIC SINGLE LOCKING, SEALING, NYLON ROPE, GREY H24B上壳塑料保护盖, 塑料单扣, 带密封, 尼龙绳, 灰色
PART NUMBER 料号	PART DESCRIPTION 描述	

THIS DRAWING IS A CONTROLLED DOCUMENT.		DWN CHARLIE.HU 22JUN2017	TE Connectivity															
		CHK GINO.YAO 22JUN2017																
		APVD CHRIS.WANG 22JUN2017	NAME H24B-KDTP-LB															
DIMENSIONS: mm		PRODUCT SPEC	SIZE A2	CAGE CODE -														
TOLERANCES UNLESS OTHERWISE SPECIFIED:		APPLICATION SPEC	DRAWING NO. C-T1010241500000	RESTRICTED TO -														
<table border="1"> <tr><td>0 PLC</td><td>±</td></tr> <tr><td>1 PLC</td><td>±</td></tr> <tr><td>2 PLC</td><td>±</td></tr> <tr><td>3 PLC</td><td>±</td></tr> <tr><td>4 PLC</td><td>±</td></tr> <tr><td>ANGLES</td><td>±</td></tr> <tr><td>FINISH</td><td>-</td></tr> </table>		0 PLC	±	1 PLC	±	2 PLC	±	3 PLC	±	4 PLC	±	ANGLES	±	FINISH	-	WEIGHT -	SCALE 1:1	SHEET 1 OF 1
0 PLC	±																	
1 PLC	±																	
2 PLC	±																	
3 PLC	±																	
4 PLC	±																	
ANGLES	±																	
FINISH	-																	
MATERIAL -		CUSTOMER DRAWING	REV A															