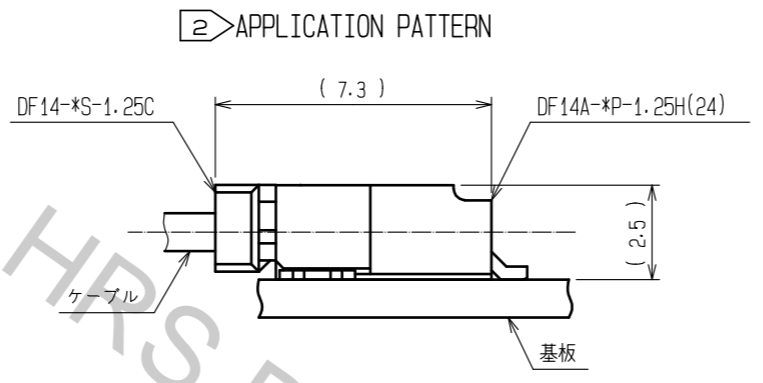
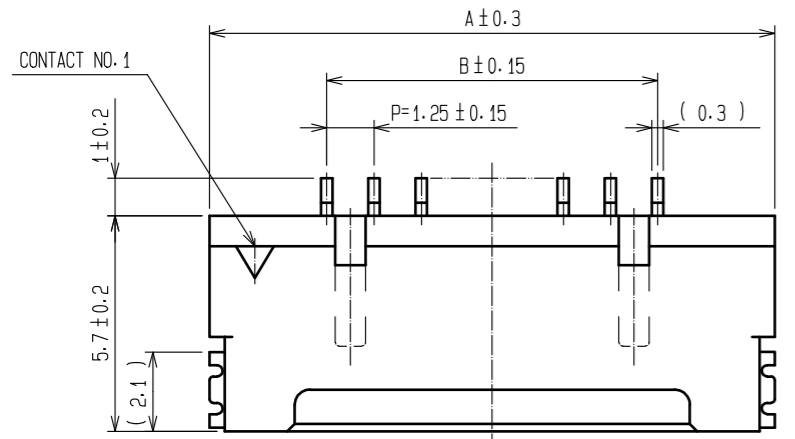
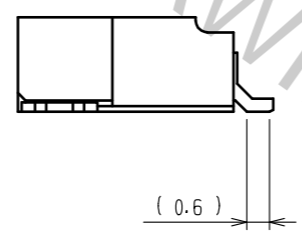
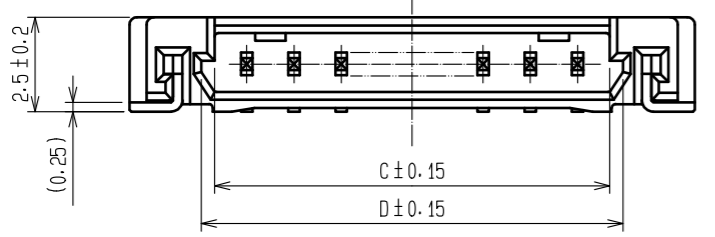


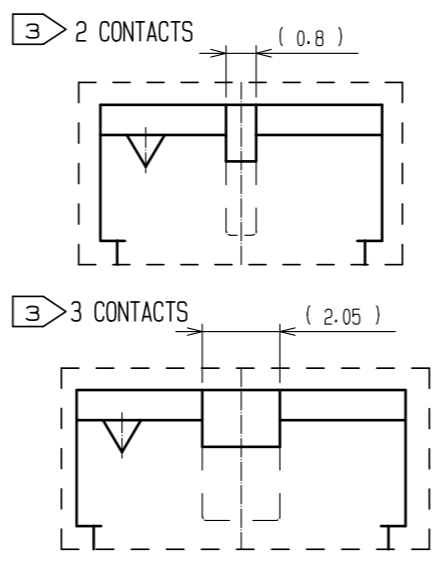
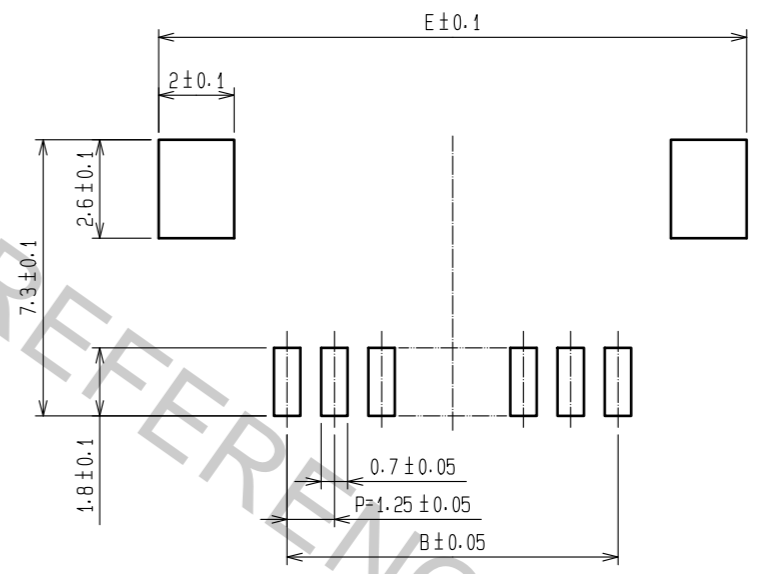
Aug.1.2018 Copyright 2018 HIROSE ELECTRIC CO., LTD. All Rights Reserved.  
 In case that the application demands a high level of reliability, such as automotive,  
 please contact a company representative for further information.



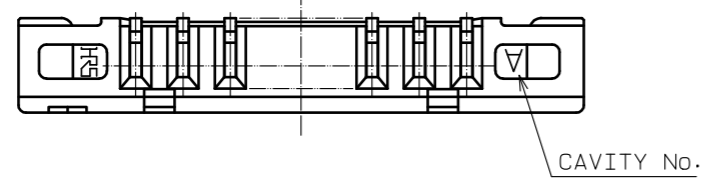
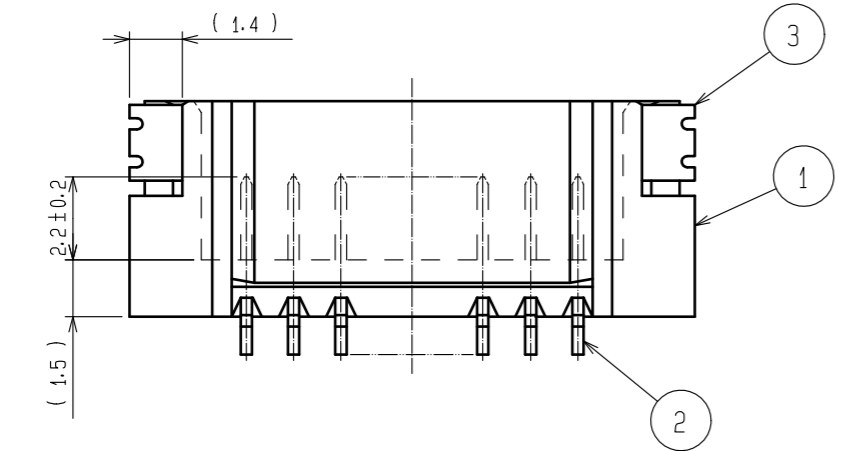
PART NO.	HRS NO.	CONTACTS	A	B	C	D	E
DF14A- 2P-1.25H(24)	CL538-0033-3-24	2	7.45	1.25	2.95	3.65	8.05
DF14A- 3P-1.25H(24)	CL538-0034-6-24	3	8.70	2.50	4.20	4.90	9.30
DF14A- 4P-1.25H(24)	CL538-0035-9-24	4	9.95	3.75	5.45	6.15	10.55
DF14A- 5P-1.25H(24)	CL538-0036-1-24	5	11.20	5.00	6.70	7.40	11.80
DF14A- 6P-1.25H(24)	CL538-0037-4-24	6	12.45	6.25	7.95	8.65	13.05
DF14A- 7P-1.25H(24)	CL538-0038-7-24	7	13.70	7.50	9.20	9.90	14.30
DF14A- 8P-1.25H(24)	CL538-0039-0-24	8	14.95	8.75	10.45	11.15	15.55
DF14A- 9P-1.25H(24)	CL538-0040-9-24	9	16.20	10.00	11.70	12.40	16.80
DF14A-10P-1.25H(24)	CL538-0041-1-24	10	17.45	11.25	12.95	13.65	18.05
DF14A-15P-1.25H(24)	CL538-0114-3-24	15	23.70	17.50	19.20	19.90	24.30
DF14A-20P-1.25H(24)	CL538-0119-7-24	20	29.95	23.75	25.45	26.15	30.55
DF14A-25P-1.25H(24)	CL538-0124-7-24	25	36.20	30.00	31.70	32.40	36.80
DF14A-30P-1.25H(24)	CL538-0045-2-24	30	42.45	36.25	37.95	38.65	43.05



RECOMMENDED PATTERN



NOTE 1. LEAD CO-PLANALITY INCLUDE REINFORCED METAL FITTINGS SHALL BE 0.1 MAX.  
 2 WHEN THIS CONNECTOR MATES WITH DF14-\*S-1.25C , THE MATTING LENGTH IS 7.3mm.  
 3 FOR CONNECTORS , 2 OR 3 CONTACTS , SIMPLIFIED LOCK HOLE SHALL BE SET AT THE CENTER OF HOUSING.



NO.	MATERIAL	FINISH . REMARKS	NO.	MATERIAL	FINISH . REMARKS
3	PHOSPHOR BRONZE	TIN-COPPER PLATED 1#m min UNDER PLATING:NICKEL PLATED 0.5#m min	5	ELASTOMER	GREEN
2	BRASS	TIN-COPPER PLATED 1#m min UNDER PLATING:NICKEL PLATED 0.5#m min	4	R. PVC	ELECTROSTATIC PROTECTION: CLEAR
1	POLYAMIDE	BEIGE, UL94V-0			

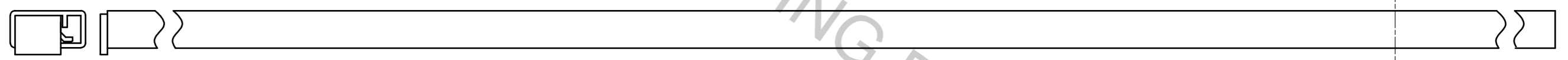
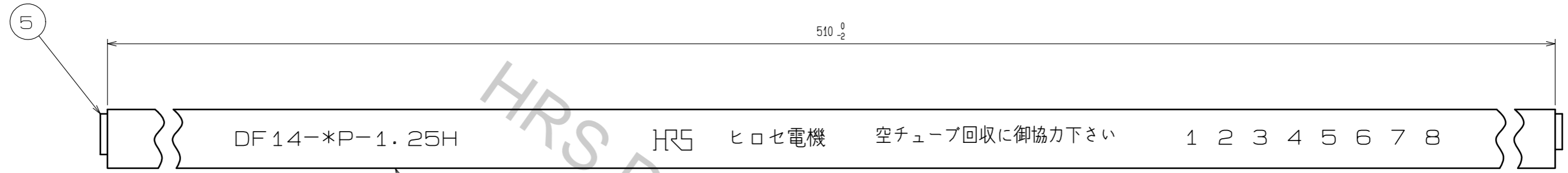
  

UNITS	SCALE	COUNT	DESCRIPTION OF REVISIONS	DESIGNED	CHECKED	DATE
mm	5 : 1	△	APPROVED : HS. OKAWA 18.03.16			
			CHECKED : TS. FUKUSHIMA 18.03.16			
			DESIGNED : TS. KUMAZAWA 18.03.08			
			DRAWN : MK. INOUE 18.03.07			

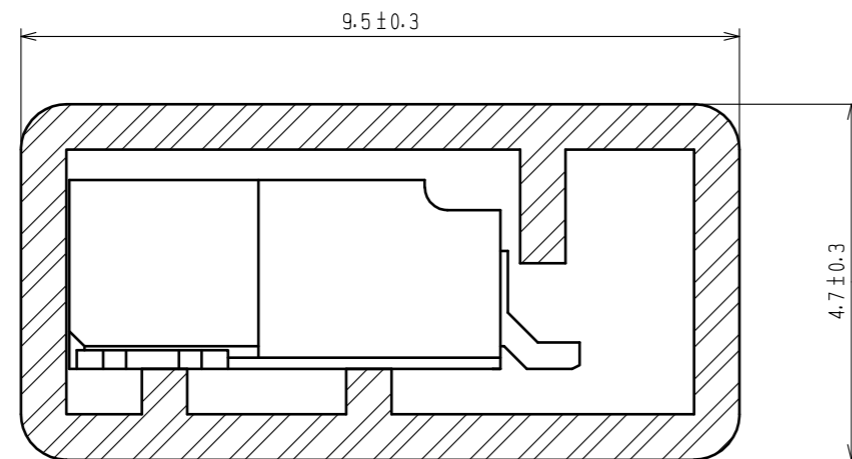
  

DRAWING NO.	PART NO.	CODE NO.
EDC-160309-24-00	DF14A-*P-1.25H(24)	CL538-

Aug.1.2018 Copyright 2018 HIROSE ELECTRIC CO., LTD. All Rights Reserved.  
 In case that the application demands a high level of reliability, such as automotive,  
 please contact a company representative for further information.



A-A (10:1)



NOTE 4 THE TUBE HAS ONE STOPPER AT EACH END.  
 5 WARPAGE OF THE TUBE SHALL BE ALLOWED ±2mm PER 510mm.  
 6 MINIMUM UNIT OF PURCHASE SHALL BE THE QUANTITY OF CONNECTORS IN TUBE.

PART NO.	CONTACTS	QUANTITY OF CONNECTOR
DF14A-2P-1.25H(24)	2	66
DF14A-3P-1.25H(24)	3	56
DF14A-4P-1.25H(24)	4	49
DF14A-5P-1.25H(24)	5	44
DF14A-6P-1.25H(24)	6	39
DF14A-7P-1.25H(24)	7	36
DF14A-8P-1.25H(24)	8	32
DF14A-9P-1.25H(24)	9	30
DF14A-10P-1.25H(24)	10	28
DF14A-15P-1.25H(24)	15	20
DF14A-20P-1.25H(24)	20	16
DF14A-25P-1.25H(24)	25	13
DF14A-30P-1.25H(24)	30	11

<b>HRS</b>	DRAWING NO.	EDC-160309-24-00
	PART NO.	DF14A-*P-1.25H(24)
	CODE NO.	CL538-
		△ 2/2