

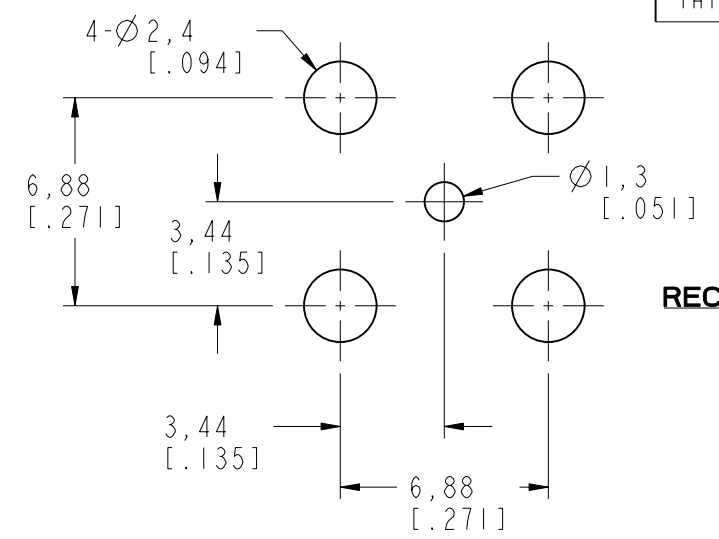
NOTES:

1. MATERIALS AND FINISHES:
 BODY, RETAINING RING - BRASS, NICKEL PLATING
 CONTACT - PHOSPHOR BRONZE, SILVER PLATING
 INSULATORS - PBT, WHITE
2. MECHANICAL:
 A. DURABILITY: 500 CYCLES MIN.
 B. TEMPERATURE RANGE: -20° C TO +165° C
3. PACKAGING:
 A. QUANTITY: SINGLE PACK
 B. MARKING: BAG TO BE MARKED
 "AMPHENOL RF, 31-5329-51RFX, AND DATE CODE"

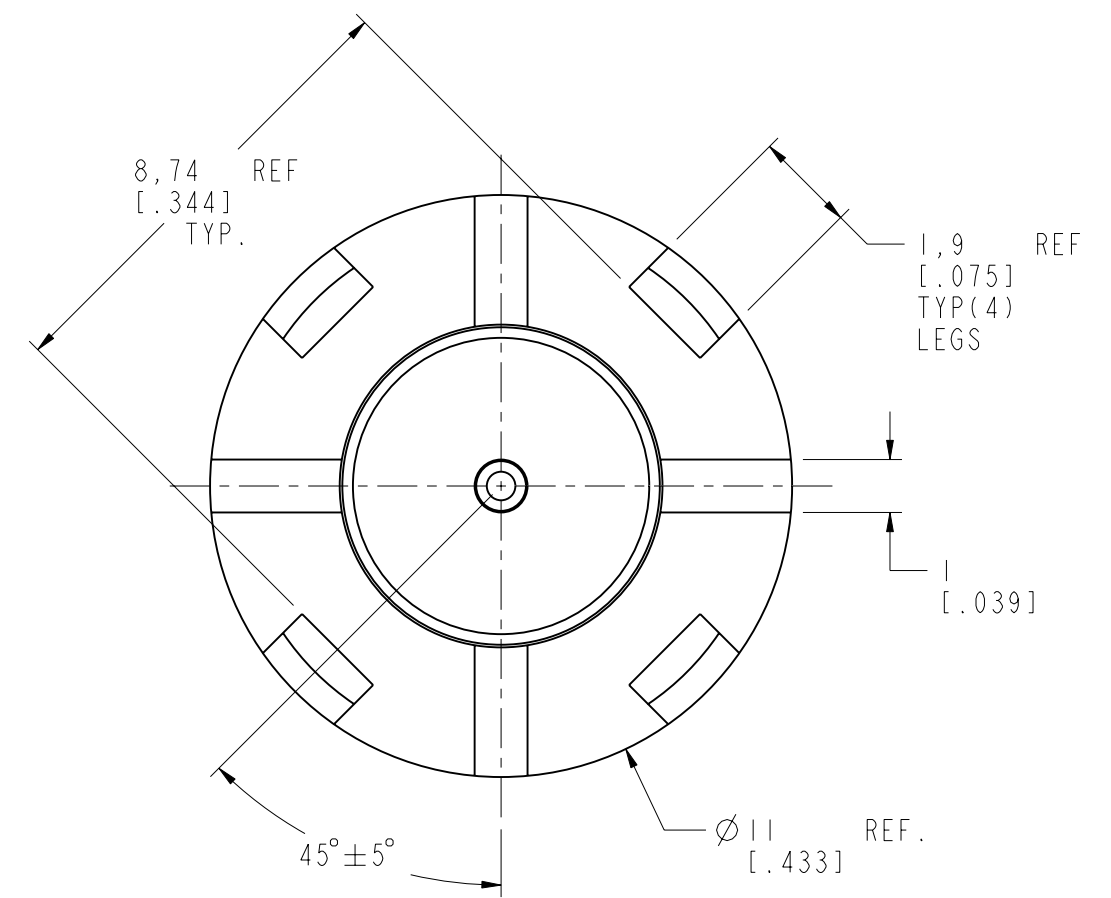
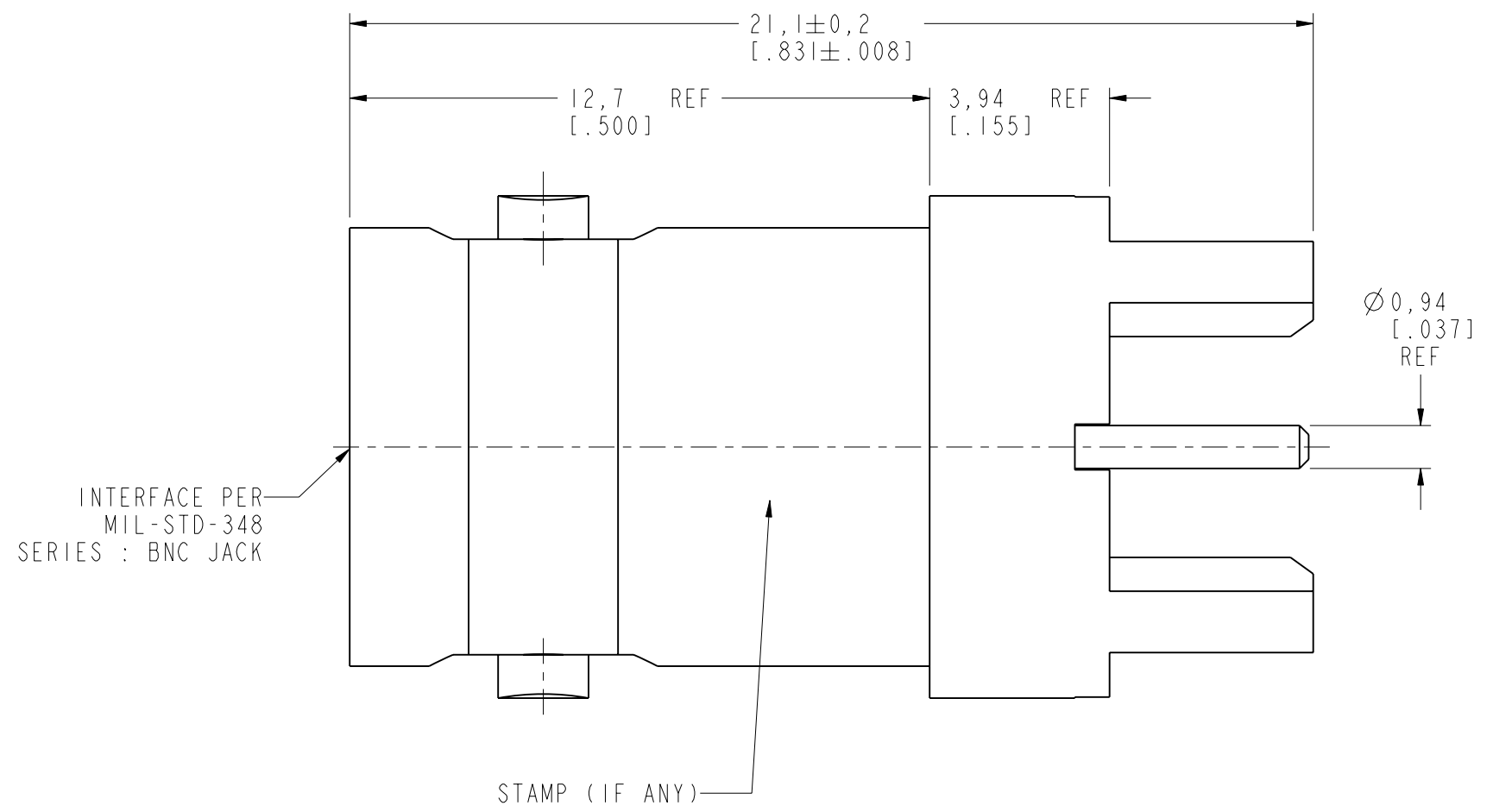
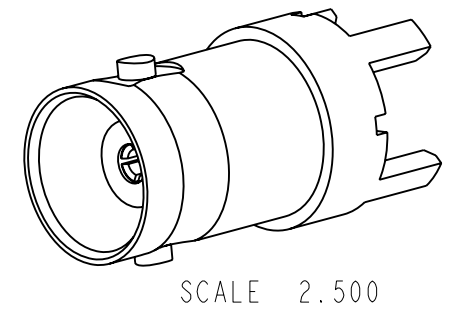
THIRD ANGLE PROJ.

REVISIONS

REV	DESCRIPTION	DATE	ECO	APPR
--	RELEASE TO MFG.	--	--	--
B	SEE SHEET 1	15-Jan-99	42788	CPM
C	REDRAWN IN PRO-E	28-Jul-14	49949	RM



RECOMMENDED MOUNTING HOLE DIMENSIONS
 SCALE 4.000



CUSTOMER OUTLINE DRAWING
 ALL OTHER SHEETS ARE FOR INTERNAL USE ONLY

UNLESS OTHERWISE SPECIFIED, DIMENSIONS ARE IN INCHES AND TOLERANCES ARE: 2 PLACE DECIMAL 3 PLACE DECIMAL ANGLES ±.015 (0,381 mm) ±.005 (0,127 mm) ± 1°	MATERIAL	DRAWN	DATE	TITLE 50 OHM BNC STR JACK RECEPTACLE PCB MOUNT		Amphenol RF www.amphenolrf.com	
	SEE NOTES	R. MAO	23-Jul-14				
NOTICE - These drawings, specifications, or other data (1) are, and remain the property of Amphenol corp. (2) must be returned upon request; and (3) are confidential and not to be disclosed to any person other than those to whom they are given by Amphenol Corp. the furnishing of these drawings, specifications, or other data by Amphenol Corp., or to any other person to anyone for any purpose is not to be regarded by implication or otherwise in any manner licensing, granting rights to permitting such holder or any other person to manufacture, use or sell any product, process or design, patented or otherwise, that may in any way be related to or disclosed by said drawings, specifications, or other data.	REFERENCE	ENGINEER	DATE	SCALE: 7.0:1.0 SHEET 2 OF 2		DRAWING NO. B6251DI-NPBS-50 ITEM NO. 016251AAA14NM5F	
	EAR # 112-963626	T. AUBIN	17-Dec-98				
	CONFIGURATION LEVEL: □□□□	APPROVED	DATE		DWG SIZE B REV C		PART NO. 31-5329-51RFX
FINISH	S. HSIEH	28-Jul-14	CAD FILE				