

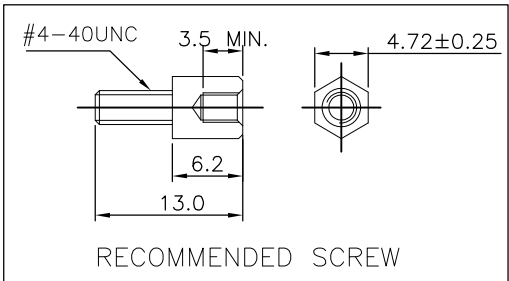
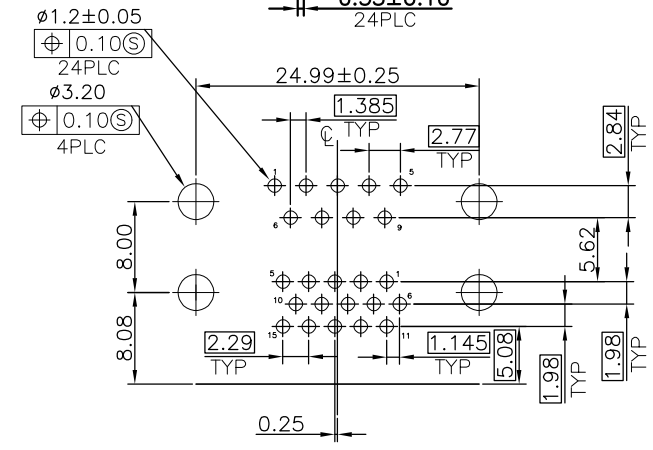
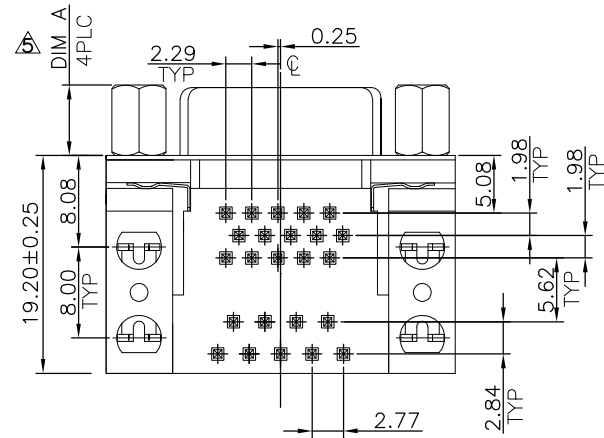
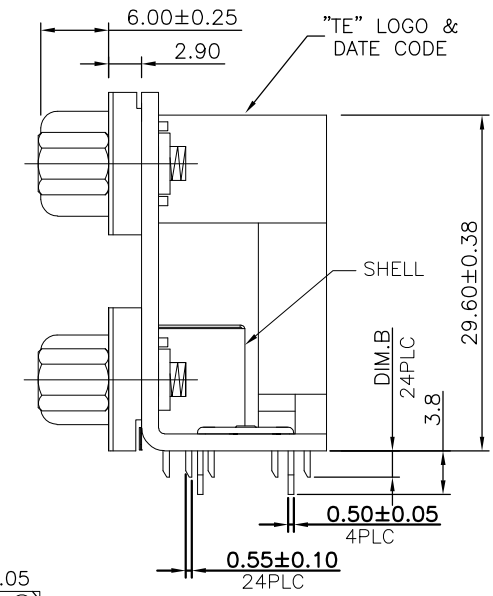
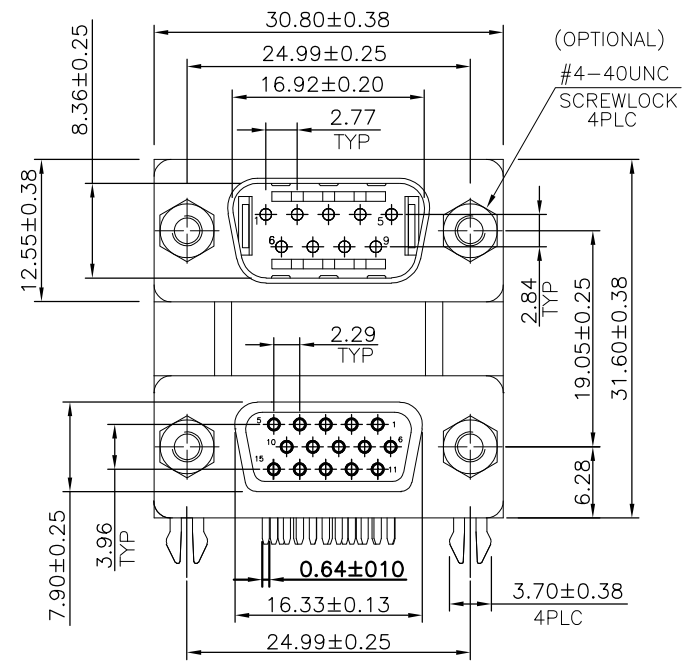
THIS DRAWING IS UNPUBLISHED. RELEASED FOR PUBLICATION
 © COPYRIGHT - By - ALL RIGHTS RESERVED.

LOC	DIST	REVISIONS					
GP	00	P	LTR	DESCRIPTION	DATE	DWN	APVD
			C	REVISED PER ECO-13-013667	20MAR2015	EL	WK

NOTES:

- MATERIAL:
 - HOUSING: THERMOPLASTIC(NYLON 6T), UL94V-0
 D-SUB 9M COLOR: TURQUOISE (322C)
 D-SUB 15F COLOR: BLUE (661C)
 - CONTACTS: BRASS
 - SHELL: STEEL
 - BOARDLOCK: BRASS
- FINISH:
 - CONTACTS: GOLD PLATED(SEE TABLE) ON CONTACT AREA 100u" MIN. BRIGHT TIN PLATED ON SOLDER TAILS 50u" MIN. NICKEL UNDERPLATED ALL OVER (FOR PN 2-1775210-1 & 2-1775210-2)
 GOLD PLATED(SEE TABLE) ON CONTACT AREA 100u" MIN. MATTE TIN PLATED ON SOLDER TAILS 50u" MIN. NICKEL UNDERPLATED ALL OVER
 - SHELL: 50u" MIN NICKEL PLATED
 - BOARDLOCK: 100u" MIN BRIGHT TIN PLATED 50u" MIN. NICKEL UNDERPLATED ALL OVER (FOR PN 2-1775210-1 & 2-1775210-2)
 100u" MIN MATTE TIN PLATED 50u" MIN. NICKEL UNDERPLATED ALL OVER
- RECOMMENDED PCB THICKNESS 1.6mm
- WAVE SOLDER CAPABLE TO 265°C PER TE SPEC. 109-202, CONDITION B

△ DIM A IS SCREW HEAD LENGTH



	W/	W/O	30u" MIN	2.3±0.2	6.2	2-1775210-2
	W/	W/	30u" MIN	2.3±0.2	6.2	2-1775210-1
	W/O	W/O	G/F	3.18±0.38	6.2	1-1775210-4
EOL	W/O	W/	G/F	3.18±0.38	6.2	1-1775210-3
	W/	W/O	G/F	3.18±0.38	6.2	1-1775210-2
	W/	W/	G/F	3.18±0.38	6.2	1-1775210-1
EOL	W/O	W/O	G/F	3.18±0.38	4.8	1775210-4
	W/O	W/	G/F	3.18±0.38	4.8	1775210-3
EOL	W/	W/O	G/F	3.18±0.38	4.8	1775210-2
EOL	W/	W/	G/F	3.18±0.38	4.8	1775210-1
	SCREWLOCK	SHELL	GOLD THK.	DIM B	△ DIM A	PART NUMBER

THIS DRAWING IS A CONTROLLED DOCUMENT.

DIMENSIONS:	TOLERANCES UNLESS OTHERWISE SPECIFIED:	DWN	20MAR2015	TE Connectivity D-SUB 5.08mm, 9 POS PLUG OVER 15 POS RCPT			
mm	0 PLC ± -	S. CHIEN	CHK				
	1 PLC ± 0.3	S. CHIEN	20MAR2015				
	2 PLC ± 0.2	W. KODAMA	20MAR2015				
	3 PLC ± -	APVD	NAME				
	4 PLC ± -	PRODUCT SPEC	108-57203				
	ANGLES ± 3'	APPLICATION SPEC	501-57200				
MATERIAL	FINISH	WEIGHT	26.0 GRAMS	SIZE	CAGE CODE	DRAWING NO	RESTRICTED TO
-	-			A3	00779	C-1775210	-
CUSTOMER DRAWING				SCALE	1:1	SHEET	1 OF 2
				REV	C		

THIS DRAWING IS UNPUBLISHED.

RELEASED FOR PUBLICATION

-. -. .

© COPYRIGHT - By -

ALL RIGHTS RESERVED.

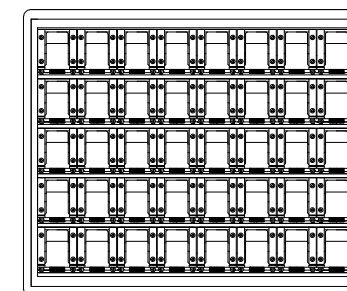
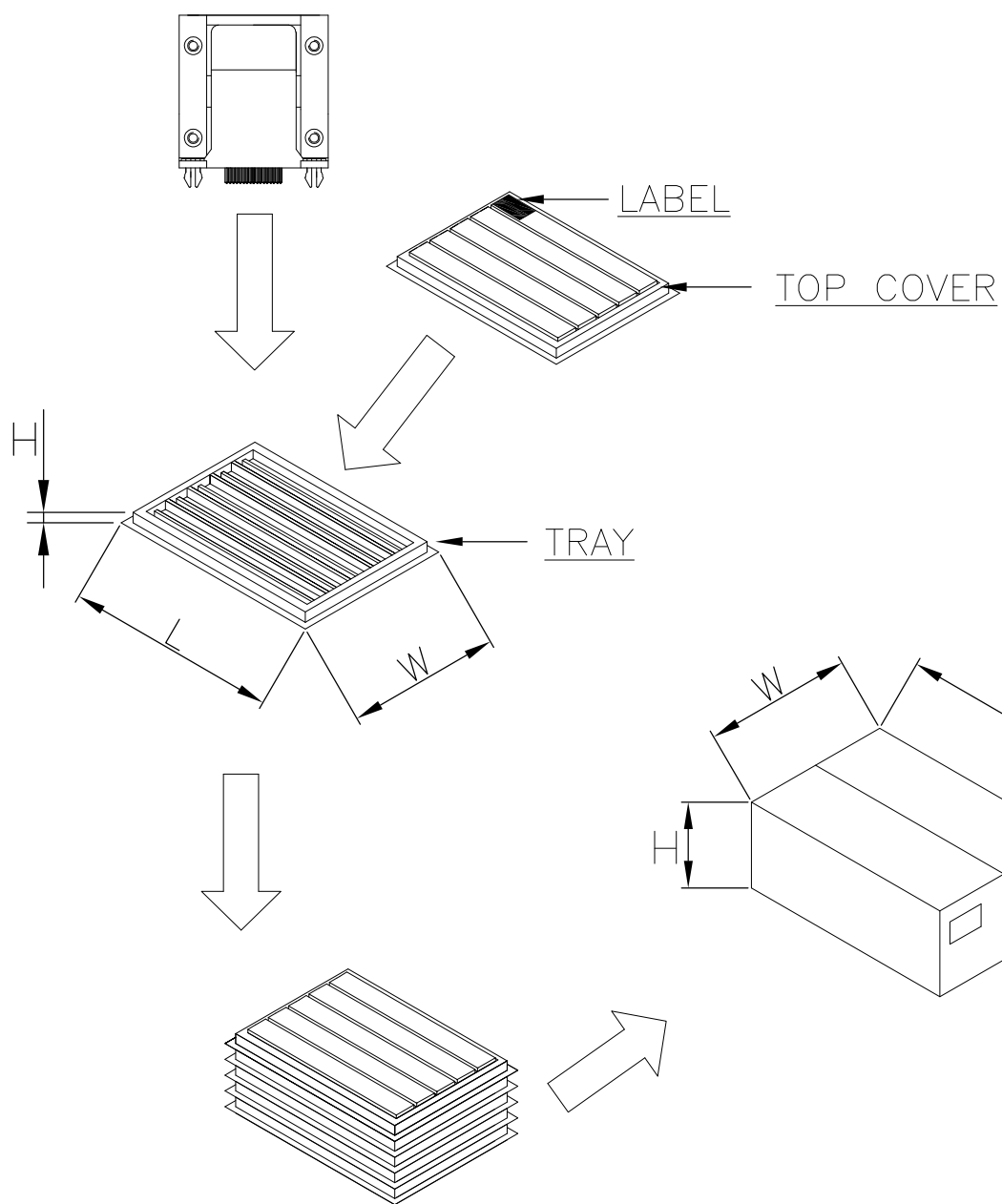
LOC GP DIST 00

REVISIONS

P	LTR	DESCRIPTION	DATE	DWN	APVD
-	-	SEE SHEET 1	-	-	-

NOTES:

- 1. MATERIAL:
 - 1.1 TRAY: PVC
 - 1.2 SHIPPING CARTON: CORRUGATED FIBERBOARD
- 2. DIMENSION:
 - 2.1 TRAY: L=285, W=270, H=30
 - 2.2 CARTON: L=298, W=283, H=170
- 3. QUANTITY:
 - 3.1 40 PCS/TRAY
 - 3.2 5 TRAYS/CARTON (200 PCS)
- 4. WEIGHT:
 - 4.1 NET WEIGHT: 5KG/CARTON
 - 4.2 GROSS WEIGHT: 6KG/CARTON



TRAY LAYOUT

THIS DRAWING IS A CONTROLLED DOCUMENT.		DWN S. CHIEN 20MAR2015	TE Connectivity														
DIMENSIONS: mm		CHK S. CHIEN 20MAR2015															
TOLERANCES UNLESS OTHERWISE SPECIFIED:		APVD W. KODAMA 20MAR2015	NAME														
<table border="0"> <tr><td>0 PLC</td><td>± -</td></tr> <tr><td>1 PLC</td><td>± 0.3</td></tr> <tr><td>2 PLC</td><td>± 0.2</td></tr> <tr><td>3 PLC</td><td>± -</td></tr> <tr><td>4 PLC</td><td>± -</td></tr> <tr><td>ANGLES</td><td>± 3'</td></tr> </table>		0 PLC	± -	1 PLC	± 0.3	2 PLC	± 0.2	3 PLC	± -	4 PLC	± -	ANGLES	± 3'	PRODUCT SPEC	D-SUB 5.08mm, 9 POS PLUG OVER 15 POS RCPT		
0 PLC	± -																
1 PLC	± 0.3																
2 PLC	± 0.2																
3 PLC	± -																
4 PLC	± -																
ANGLES	± 3'																
MATERIAL		APPLICATION SPEC	-														
FINISH		501-57200	SIZE	CAGE CODE	DRAWING NO												
		WEIGHT 26.0 GRAMS	A3	00779	C-1775210												
		CUSTOMER DRAWING	RESTRICTED TO	-													
		SCALE 1:1	SHEET 2 OF 2	REV C													