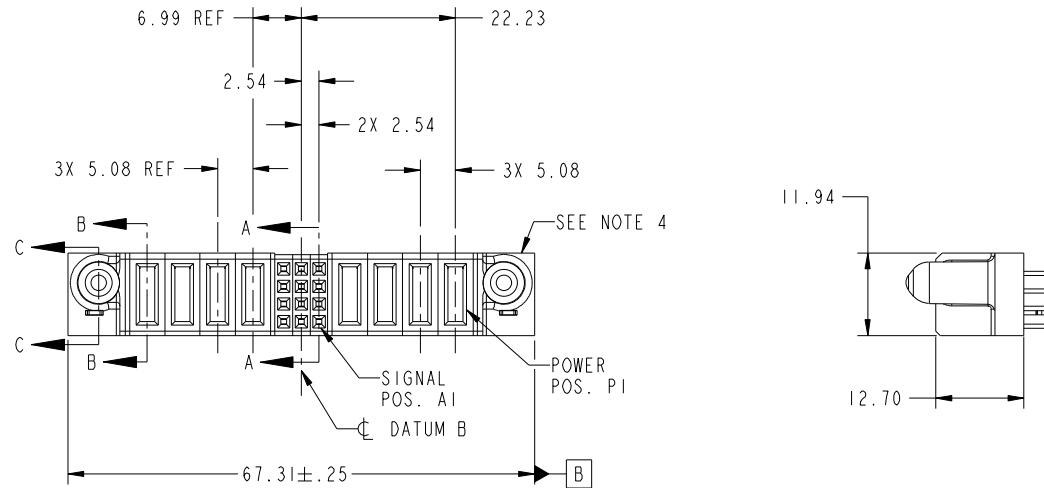


Tous droits strictement réservés. Reproduction ou communication a des tiers interdite sous quelque forme que ce soit sans autorisation écrite du propriétaire. Propriété de c FCI. Droits de reproduction FCI.



All rights strictly reserved. Reproduction or issue to third parties in any form whatever is not permitted without written authority from the proprietor. Property of FCI. Copyright FCI.

PRODUCT NO.	ROWS	POWER				SIGNAL				POWER					
		E2	P8	P7	P6	P5	3	2	1	P4	P3	P2	P1	E1	
51940-160-- NOTE: 3	D C B A														



CODE	DIM "M" MATING LENGTH	CONTACT TYPE
E	[N/A]	SIGNAL
PA	[1.07]	POWER
HA	[N/A]	HOLD-DOWN

mat'l code				SEE NOTE		tolerances unless otherwise specified		CUSTOMER		FCI	
ltr	ecn no.	dr	date	linear		0.X ± 0.5	COPY		www.fciconnect.com		
A	DG05-0281	SW	08/16/05			0.XX ± 0.25	projection		title		
B	DG08-0273	JW	11/20/08	angles		0.XXX ± 0.13	MIM		4P+ 12S+ 4P VERTICAL STB RECEPT		
				dr	STEVEN WANG	08/16/05	scale		product family		PwrBlade
				enrg	M. MOSTOLLER	mm/dd/yy	1:1		size		213
				chr	VICTOR LIN	08/16/05			dwg no		sheet
				appd	JOSEPH HSIA	08/16/05			A		1 of 4
sheet index	revision sheet	B	B	B	B	B					
		1	2	3	4						

cage code 22526

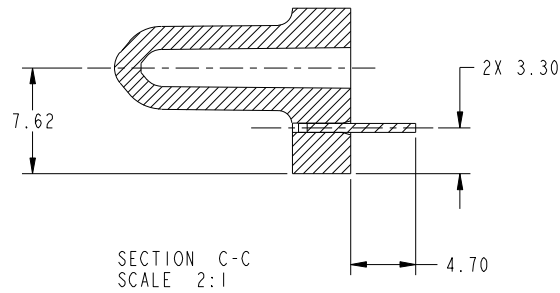
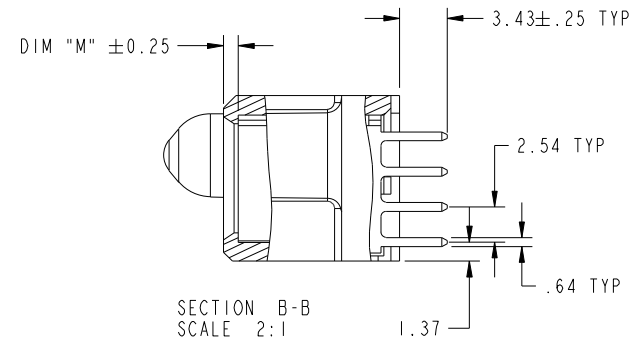
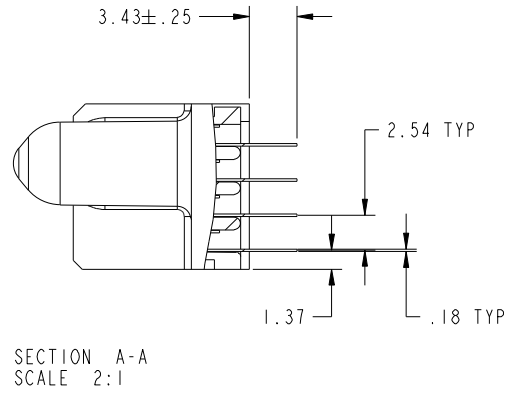
Pro/E

Tous droits strictement reserves. Reproduction ou communication a des tiers interdite sous quelque forme que ce soit sans autorisation ecrite du proprietaire. Propriete de c FCI. Droits de reproduction FCI.



All rights strictly reserved. Reproduction or issue to third parties in any form whatever is not permitted without written authority from the proprietor. Property of FCI. Copyright FCI.

PRODUCT NUMBER  
51940-160\_-  
NOTE: 3



mat'l code		SEE NOTE		tolerances unless otherwise specified		CUSTOMER		www.fciconnect.com	
ltr	ecr no.	dr	date	linear	0.X ± 0.5	COPY		title	
B					0.XX ± 0.25	projection		4P+ 12S+ 4P VERTICAL STB RECEIPT	
				angles	0.XXX ± 0.13			product family	
				dr	0° ± 2°			PwrBlade	
				enr	STEVEN WANG 08/16/05	scale		code	
				chr	M. MOSTOLLER mm/dd/yy	1:1		213	
				appd	VICTOR LIN 08/16/05	A		sheet	
					JOSEPH HSIA 08/16/05			2	
sheet index	revision sheet								

cage code 22526

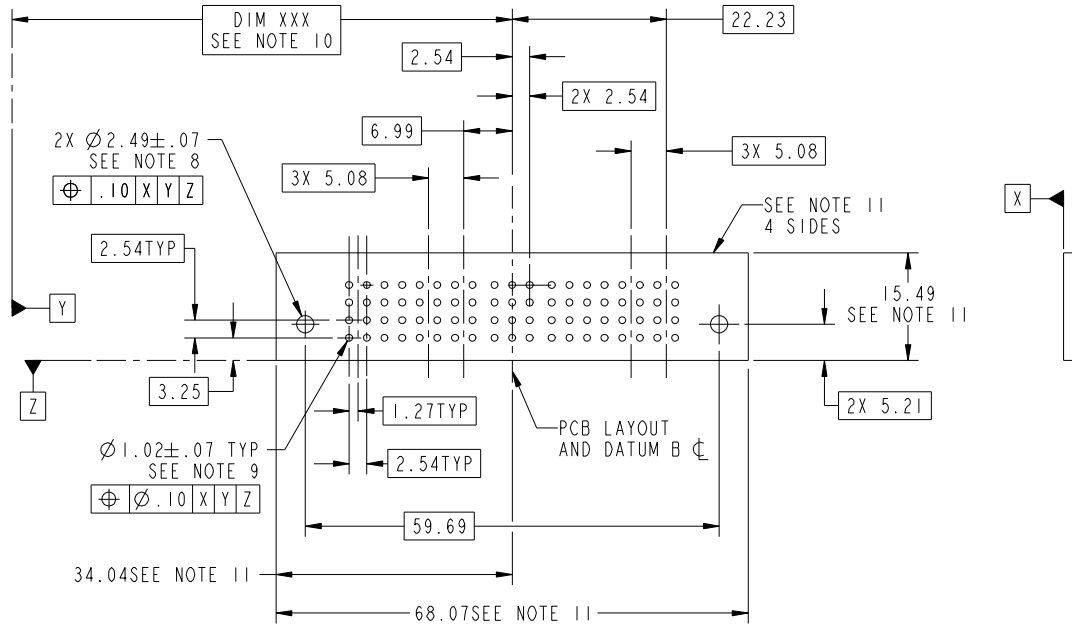
Pro/E

Tous droits strictement reserves. Reproduction ou communication a des tiers interdite sous quelque forme que ce soit sans autorisation écrite du propriétaire. Propriete de c FCI. Droits de reproduction FCI.



All rights strictly reserved. Reproduction or issue to third parties in any form whatever is not permitted without written authority from the proprietor. Property of FCI. Copyright FCI.

PRODUCT NUMBER  
51940-160--  
NOTE: 3



mat'l code		SEE NOTE		tolerances unless otherwise specified		CUSTOMER		FCI		www.fciconnect.com	
ltr	ecn no.	dr	date	linear	0.X ±0.5	COPY		projection		title	
B					0.XX ±0.25					4P+ 12S+ 4P VERTICAL STB RECEPT	
				angles	0.XXX ±0.13					product family PwrBlade code	
		dr	STEVEN WANG	08/16/05	0° ±2°			size		213	
		enr	M. MOSTOLLER	mm/dd/yy				dwg no		sheet	
		chr	VICTOR LIN	08/16/05		scale		A		3	
		appd	JOSEPH HSIA	08/16/05		1:1		51940-160		3	
sheet index	revision sheet										

cage code 22526

Pro/E

Tous droits strictement réservés. Reproduction ou communication a des tiers interdite sous quelque forme que ce soit sans autorisation écrite du propriétaire. Propriete de c FCI. Droits de reproduction FCI.



All rights strictly reserved. Reproduction or issue to third parties in any form whatever is not permitted without written authority from the proprietor. Property of FCI. Copyright FCI.

PRODUCT NUMBER  
51940-160\_-  
NOTE: 3

NOTES:

1. DIMENSIONS AND TOLERANCES ARE IN ACCORDANCE WITH ASME Y14.5M, 1994 UNLESS OTHERWISE SPECIFIED.

CONNECTOR NOTES:

2 HOUSING MATERIAL: UL 94 V-0 GLASS FILLED  
HIGH-TEMP THERMOPLASTIC  
POWER CONTACT MATERIAL: COPPER ALLOY  
SIGNAL PIN MATERIAL: COPPER ALLOY

3 PLATING:  
SEE ITEM 5 & 6 IN PRINT 10064183 FOR PLATING SPEC OF 51940-160; 51940-160LF PRESPECTIVELY

4 MANUFACTURER'S NAME, P/N, AND DATE CODE TO APPEAR ON THIS SURFACE.

5. PRODUCT SPECIFICATION GS-12-149.  
APPLICATION SPECIFICATION BUS-20-067.

6. PACKAGED IN TRAYS.

PCB NOTES:

7. ALL HOLE DIAMETERS ARE FINISHED HOLE SIZE.

8 MOUNTING HOLES, WHERE APPLICABLE, ARE UNPLATED.

9  $\varnothing 1.151 \pm 0.025$  DRILLED HOLES PLATED WITH  
0.008 MIN SnPb OVER 0.03  
TO 0.08 Cu PLATING TO ACHIEVE  
 $\varnothing 1.02 \pm 0.07$  HOLE.

10 "DIM XXX" TO BE DETERMINED BY THE CUSTOMER.

11 CONNECTOR KEEP-OUT ZONE.

12. A  $\Delta$  SYMBOL WILL BE NEXT TO ANY DIMENSION, VIEW, OR NOTE WHICH HAS BEEN MODIFIED WITH THE CURRENT DRAWING REVISION.

mat'l code				SEE NOTE	tolerances unless otherwise specified	CUSTOMER	www.fciconnect.com	
ltr	ecn no.	dr	date	linear	0.X ± 0.5	COPY	title	
B					0.XX ± 0.25	projection	4P+ 12S+ 4P VERTICAL STB RECEPT	
				angles	0.XXX ± 0.13		product family PwrBlade code	
				dr	0° + 2°	MIM	size	213
				enr	STEVEN WANG 08/16/05	← MIM →	dwg no	sheet
				chr	M. MOSTOLLER mm/dd/yy	scale	51940-160	4
				appd	VICTOR LIN 08/16/05	1:1		
					JOSEPH HSIA 08/16/05			
sheet index	revision sheet							

cage code 22526

Pro/E