

4

3

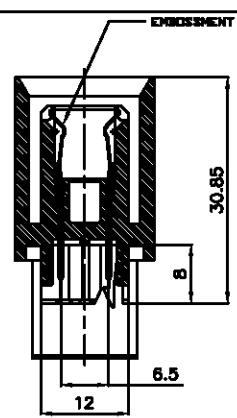
2

1

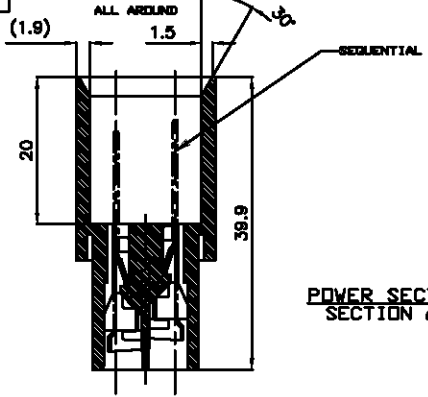
THIS DRAWING IS UNCLASSIFIED
EXCEPT FOR PORTION(S)
BY THE EXECUTIVE COMPONENT, ALL RIGHTS RESERVED.

LOG	DATE	REVISIONS					
ES	00	P	DN	DESCRIPTION	DATE	BY	APPD
		A		REVISED FB00-0217-04	18DEC04	H.H	I.E

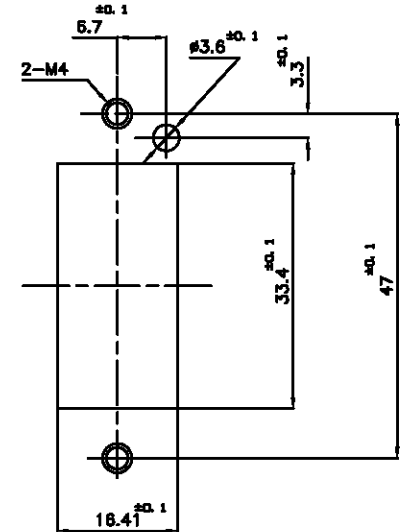
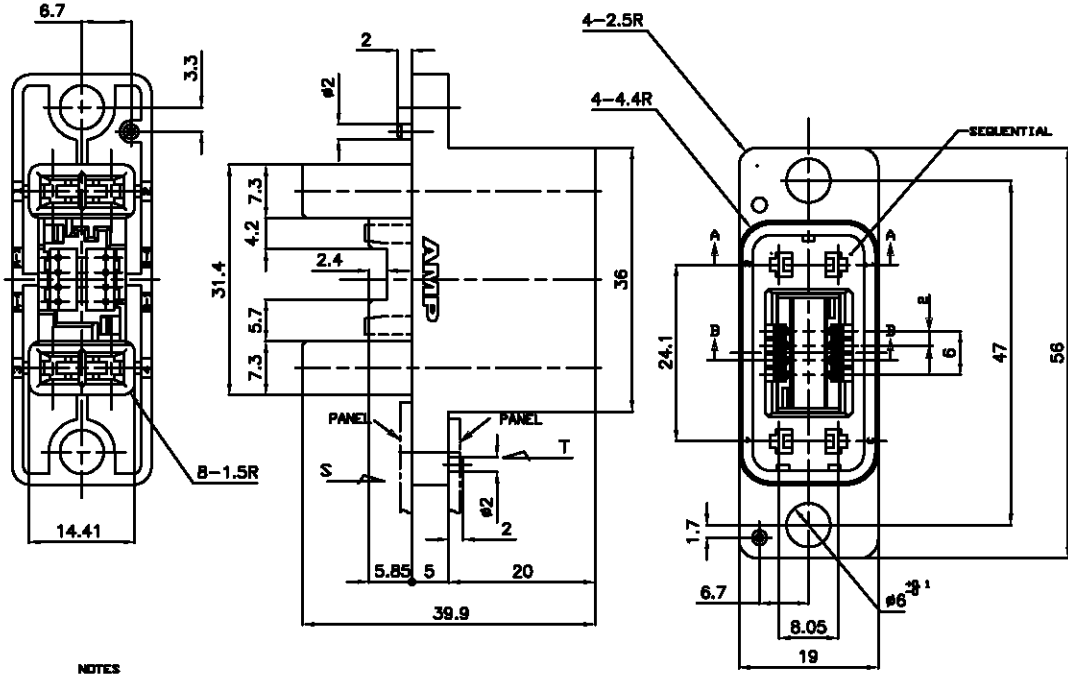
SIGNAL SECTION
SECTION B-B



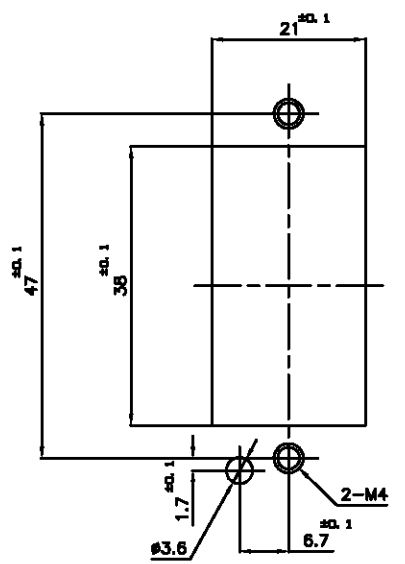
POWER SECTION
SECTION A-A



PANEL CUT DIMENSIONS



VIEW S



VIEW T

NOTES

- MATERIAL
HOUSING: THERMO PLASTIC
CONTACT: COPPER ALLOY
- CONTACT FINISH
MATING SIDE: NICKEL PL. ALL OVER GOLD PL.
CT MATING SIDE: NICKEL PL. ALL OVER MATTE TIN PL.
- APPLIED POWER CONTACT P/N

FINISH	AWG	STRIP	LOOSE PIECE
GOLD PL.	#16-20	1793E1-3	
TIN PL.	#16-20	1-1793E1-E	
	#20-24	1793E2-3	
	#20-24	1-1793E2-E	

- P: NUMBER OF POWER CONTACT (UNLOADED)
- S: NUMBER OF SIGNAL CONTACT (PRELOADED)

THIS DRAWING IS A CONTROLLED DOCUMENT.

<p>TOLENANCE UNLESS OTHERWISE SPECIFIED</p> <p>100μ ±0.2</p> <p>300μ>10 ±0.25</p> <p>1000μ>30 ±0.3</p> <p>ANGLE ±3°</p>	<p>DIMENSIONS: MM</p> <p>SEE NOTE</p>	<p>TOLERANCE UNLESS OTHERWISE SPECIFIED</p> <p>0 P/LC ±</p> <p>1 P/LC ±</p> <p>2 P/LC ±</p> <p>3 P/LC ±</p> <p>4 P/LC ±</p> <p>5 P/LC ±</p> <p>6 P/LC ±</p> <p>7 P/LC ±</p> <p>8 P/LC ±</p> <p>9 P/LC ±</p> <p>10 P/LC ±</p> <p>11 P/LC ±</p> <p>12 P/LC ±</p> <p>13 P/LC ±</p> <p>14 P/LC ±</p> <p>15 P/LC ±</p> <p>16 P/LC ±</p> <p>17 P/LC ±</p> <p>18 P/LC ±</p> <p>19 P/LC ±</p> <p>20 P/LC ±</p> <p>21 P/LC ±</p> <p>22 P/LC ±</p> <p>23 P/LC ±</p> <p>24 P/LC ±</p> <p>25 P/LC ±</p> <p>26 P/LC ±</p> <p>27 P/LC ±</p> <p>28 P/LC ±</p> <p>29 P/LC ±</p> <p>30 P/LC ±</p> <p>31 P/LC ±</p> <p>32 P/LC ±</p> <p>33 P/LC ±</p> <p>34 P/LC ±</p> <p>35 P/LC ±</p> <p>36 P/LC ±</p> <p>37 P/LC ±</p> <p>38 P/LC ±</p> <p>39 P/LC ±</p> <p>40 P/LC ±</p> <p>41 P/LC ±</p> <p>42 P/LC ±</p> <p>43 P/LC ±</p> <p>44 P/LC ±</p> <p>45 P/LC ±</p> <p>46 P/LC ±</p> <p>47 P/LC ±</p> <p>48 P/LC ±</p> <p>49 P/LC ±</p> <p>50 P/LC ±</p> <p>51 P/LC ±</p> <p>52 P/LC ±</p> <p>53 P/LC ±</p> <p>54 P/LC ±</p> <p>55 P/LC ±</p> <p>56 P/LC ±</p> <p>57 P/LC ±</p> <p>58 P/LC ±</p> <p>59 P/LC ±</p> <p>60 P/LC ±</p> <p>61 P/LC ±</p> <p>62 P/LC ±</p> <p>63 P/LC ±</p> <p>64 P/LC ±</p> <p>65 P/LC ±</p> <p>66 P/LC ±</p> <p>67 P/LC ±</p> <p>68 P/LC ±</p> <p>69 P/LC ±</p> <p>70 P/LC ±</p> <p>71 P/LC ±</p> <p>72 P/LC ±</p> <p>73 P/LC ±</p> <p>74 P/LC ±</p> <p>75 P/LC ±</p> <p>76 P/LC ±</p> <p>77 P/LC ±</p> <p>78 P/LC ±</p> <p>79 P/LC ±</p> <p>80 P/LC ±</p> <p>81 P/LC ±</p> <p>82 P/LC ±</p> <p>83 P/LC ±</p> <p>84 P/LC ±</p> <p>85 P/LC ±</p> <p>86 P/LC ±</p> <p>87 P/LC ±</p> <p>88 P/LC ±</p> <p>89 P/LC ±</p> <p>90 P/LC ±</p> <p>91 P/LC ±</p> <p>92 P/LC ±</p> <p>93 P/LC ±</p> <p>94 P/LC ±</p> <p>95 P/LC ±</p> <p>96 P/LC ±</p> <p>97 P/LC ±</p> <p>98 P/LC ±</p> <p>99 P/LC ±</p> <p>100 P/LC ±</p>	<p>DATE: 18 DEC 2004</p> <p>BY: H.H</p> <p>CHECKED: I.E</p> <p>APPROVED: I.E</p> <p>DESIGNED: I.E</p> <p>DRAWN: I.E</p> <p>SCALE: NTS</p> <p>SHEET: 1 OF 1</p> <p>REV: A</p>
---	---------------------------------------	---	--

175133-B	173977-4	292185-B	4-B	292182-B
APPLIED CT. HOLDER P/N	APPLIED CT. CONN. P/N	MATING COUNTER P/N	POS (P-S)	P/N
<p>DATE: 18 DEC 2004</p> <p>BY: H.H</p> <p>CHECKED: I.E</p> <p>APPROVED: I.E</p> <p>DESIGNED: I.E</p> <p>DRAWN: I.E</p>		<p>175133-B</p> <p>173977-4</p> <p>292185-B</p> <p>4-B</p> <p>292182-B</p>		
<p>175133-B 173977-4 292185-B 4-B 292182-B</p> <p>APPLIED CT. HOLDER P/N APPLIED CT. CONN. P/N MATING COUNTER P/N POS (P-S) P/N</p> <p>DATE: 18 DEC 2004 BY: H.H CHECKED: I.E APPROVED: I.E DESIGNED: I.E DRAWN: I.E</p> <p>SCALE: NTS SHEET: 1 OF 1 REV: A</p>				

292182

A