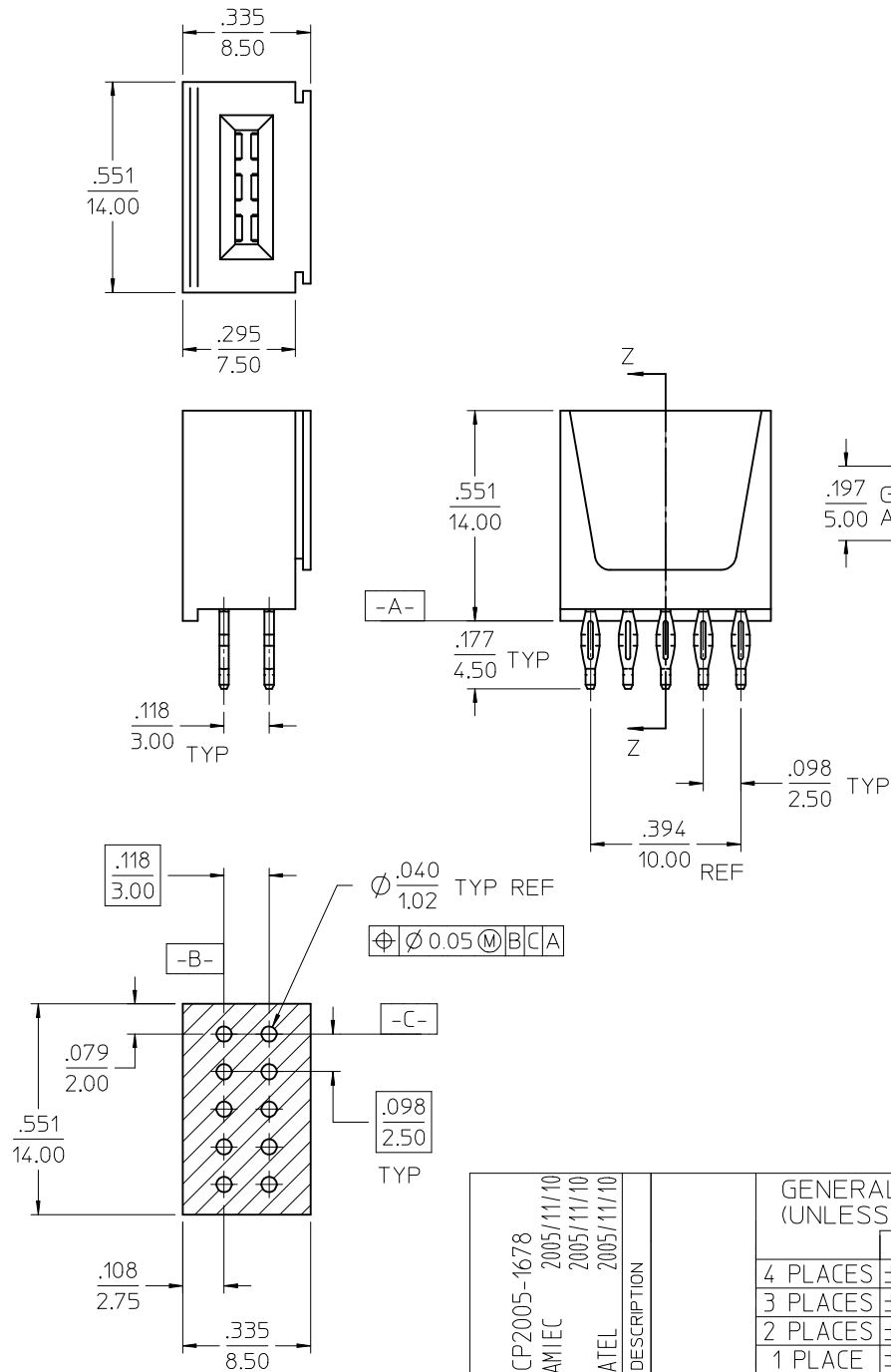
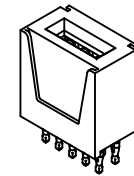


NOTES:

- HOUSING MAT'L: LCP, GLASS FILLED, UL 94V-0, COLOR: BLACK
CONTACT MAT'L: COPPER ALLOY
- FINISH: SELECT GOLD - 30 MI MIN
SELECT TIN - 150 MI MIN
BOTH OVER NICKEL - 50 MI MIN
GOLD TO BE SPECIFIED THK IN THIS AREA
- PRODUCT SPECIFICATION: PS-45424-001
- PACKAGING SPECIFICATION: PK-45484-001
- THIS MODULE INTERLOCKS WITH ALL STANDARD MOLEX POWER DOCK MODULES.
- DATUM -A- IS THE CONNECTOR MOUNTING SURFACE.
- THE PRIMARY SHIPPING CARTON WILL BE LABELED "COMPLIANT TO RoHS DIRECTIVE 2000/95/EC AND ELV ANNEX II OF DIRECTIVE 2000/53/EC". CARTONS WITHOUT THIS LABEL MAY CONTAIN PRODUCT WITH TIN/LEAD PLATING.
- PCB HOLE SIZE: SEE PS-45424-001.



PCB LAYOUT: COMPONENT SIDE
PCB THICKNESS: 2.36 MIN

EC NO: UCP2005-1678	DRWN: KSAMIEC	CHKD: KSAMIEC	APPR: APATEL	DESCRIPTION
2005/11/10	2005/11/10	2005/11/10	2005/11/10	
B	REV			

GENERAL TOLERANCES (UNLESS SPECIFIED)		
	mm	INCH
4 PLACES	$\pm .005$	$\pm .005$
3 PLACES	$\pm .005$	$\pm .005$
2 PLACES	± 0.15	$\pm .005$
1 PLACE	± 0.25	$\pm .005$
ANGULAR $\pm 1/2^\circ$		
DRAFT WHERE APPLICABLE MUST REMAIN WITHIN DIMENSIONS		

DIMENSION STYLE	
IN/MM	
DRAWN BY	DATE
SCHAFFER	2005/2/8
CHECKED BY	DATE
SAMIEC	2005/2/9
APPROVED BY	DATE
MARGULIS	2005/2/10
MATERIAL NO.	
45520-0001	
SIZE	
A	

SCALE	DESIGN UNITS	THIRD ANGLE PROJECTION
2:1	METRIC	
TITLE		
POWER DOCK MODULE POWER PLUG 250V VERT STD CPI		
MOLEX INCORPORATED		
DOCUMENT NO.		SHEET NO.
SD-45520-001		1 OF 1
THIS DRAWING CONTAINS INFORMATION THAT IS PROPRIETARY TO MOLEX INCORPORATED AND SHOULD NOT BE USED WITHOUT WRITTEN PERMISSION		