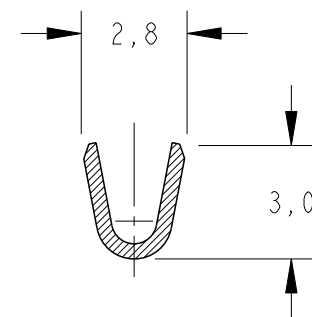
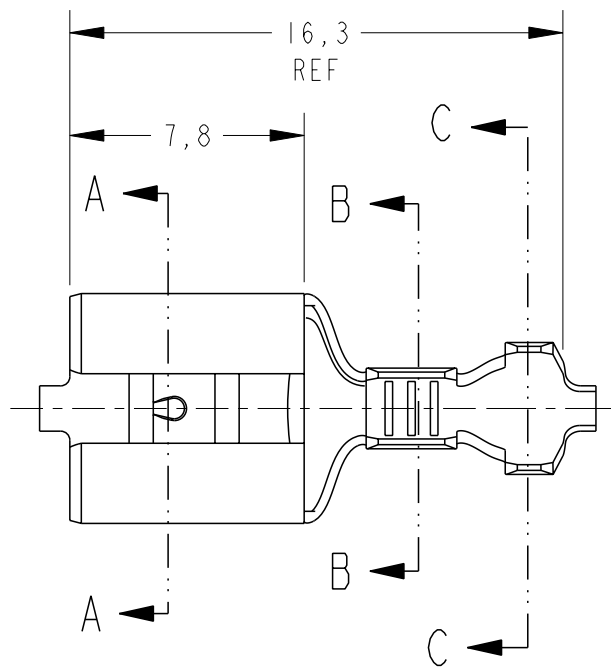


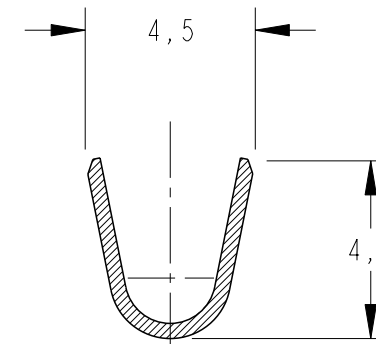
LOC AP DIST -

REVISIONS

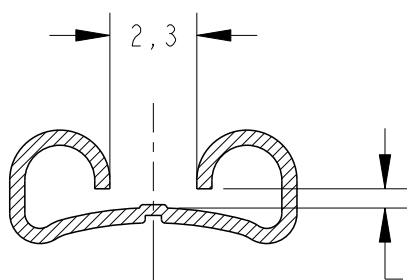
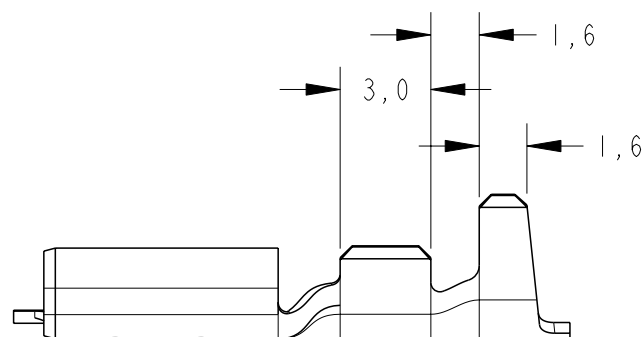
P	LTR	DESCRIPTION	DATE	DWN	APVD
	A3	REDRAW BY CAD ECO-12-014621	27AUG2012	NCL	DAO



SECTION B-B SCALE 5:1



SECTION C-C SCALE 5:1



SECTION A-A SCALE 5:1

PARA LINGUETA DE 0,8mm. FOR TAB 0,8mm THK.

OBSOLETE
OBSOLETE

FINISH	MATERIAL	PART NUMBER
PRATEADO/SILVER PLATED	BRONZE FOSF./PHOSP BRONZE	880683 -6
PRATEADO/SILVER PLATED	LATÃO / BRASS	880683 -5
ESTANHADO/TIN PLATED	BRONZE FOSF./PHOSP BRONZE	880683 -4
—	BRONZE FOSF./PHOSP BRONZE	880683 -3
ESTANHADO/TIN PLATED	LATÃO / BRASS	880683 -2
—	LATÃO / BRASS	880683 -1

INS. RANGE	WIRE RANGE
∅ 2,0-3,3mm	0,5-1,0mm ²

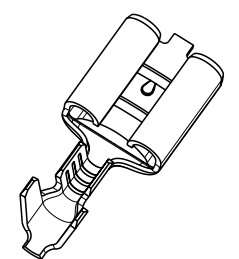
THIS DRAWING IS A CONTROLLED DOCUMENT.

DIMENSIONS:	TOLERANCES UNLESS OTHERWISE SPECIFIED:
mm	
	0 PLC ±0,3
	1 PLC ±0,3
	2 PLC ±0,3
	3 PLC ±0,3
	4 PLC ±0,3
	ANGLES ±1°
MATERIAL SEE TABLE	FINISH SEE TABLE

DWN NCLAPRESA 17JUL2012	NAME -
CHK JRGOLDSCHMIDT 17JUL2012	
APVD DAOLIVEIRA 17JUL2012	
PRODUCT SPEC -	
APPLICATION SPEC -	RESTRICTED TO -
WEIGHT -	SIZE A3
CUSTOMER DRAWING	CAGE CODE 00779
	DRAWING NO C-880683
	SCALE -
	SHEET 1 OF 1
	REV A3



TERMINAL FASTON .250 RECEPT



PERSPECTIVE VIEW SCALE 2:1

