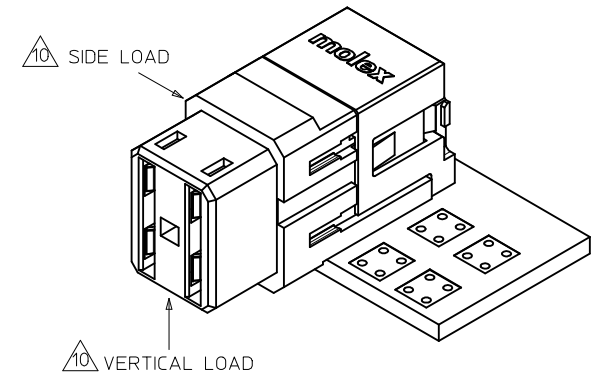
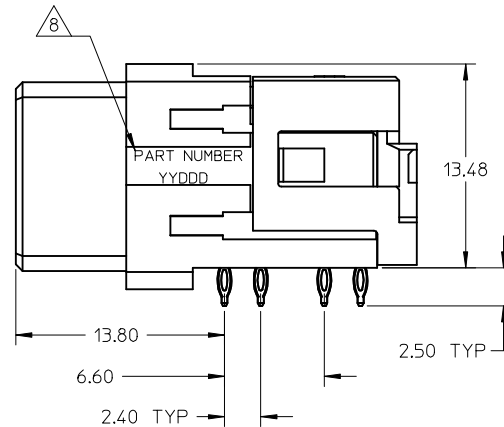
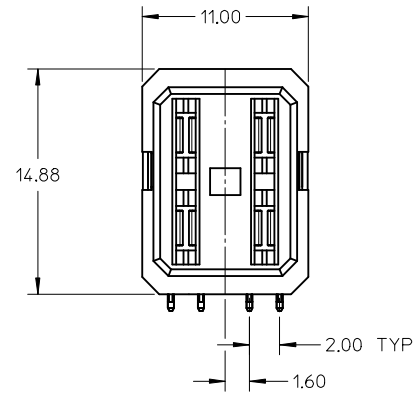
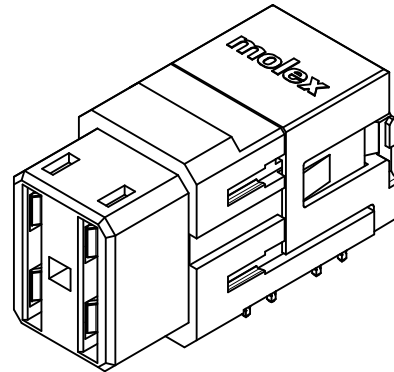
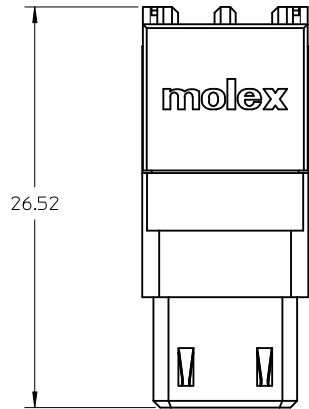


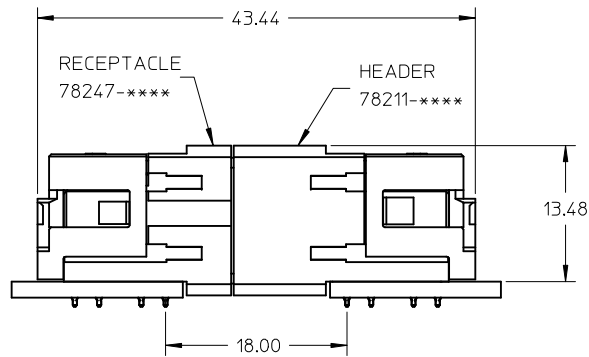
10	9	8	7	6	5	4	3	2	1
PART NUMBER	PLATING OPTIONS	PACKAGING							
78247-1001	TIN PLATING	TRAY							

NOTES:

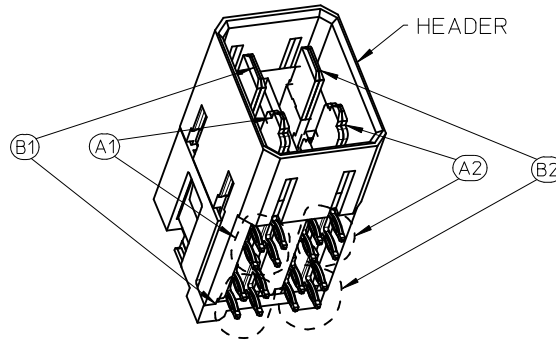
- MATERIAL:
HOUSING - LCP, GLASS FILLED, UL94-V0, COLOR: BLACK
POWER PIN - COPPER ALLOY
- FINISHES:
TIN - 0.764μm MINIMUM GOLD AT CONTACT AND
2.54μm MINIMUM TIN AT SOLDER TAIL AREA OVER
1.27μm MINIMUM NICKEL UNDERPLATE OVERALL.
- PRODUCT SPECIFICATION: PS-78213-001.
- PACKAGING SPECIFICATION: PK-78247-001.
- MATES WITH 78211-**** & 78399-****.
- REFER TO SHEET 3 FOR RECOMMENDED PCB LAYOUT.
- REFER TO MOLEX PRODUCT SPECIFICATION PS-78213-001 FOR PLATED THROUGH-HOLE SPECIFICATIONS.
- PART NUMBER AND DATE CODE (YYDDD) APPROXIMATELY SHOWN.
- KEEP OUT ZONE FROM OTHER COMPONENTS.
- CONNECTOR-TO-PCB RETENTION FORCE SHALL WITHSTAND VERTICAL AND SIDE LOAD OF 1.5KGF AND 3.0KGF MAXIMUM RESPECTIVELY. FOR APPLICATION THAT REQUIRES MORE CONNECTOR-TO-PCB RETENTION FORCE, PLEASE CONTACT MOLEX SALES TECHNICAL PERSONNEL FOR RECOMMENDATION.



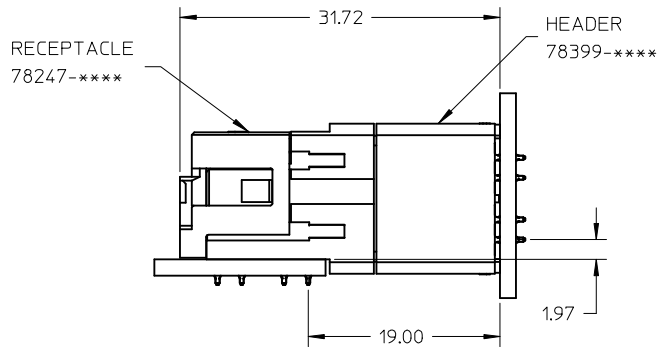
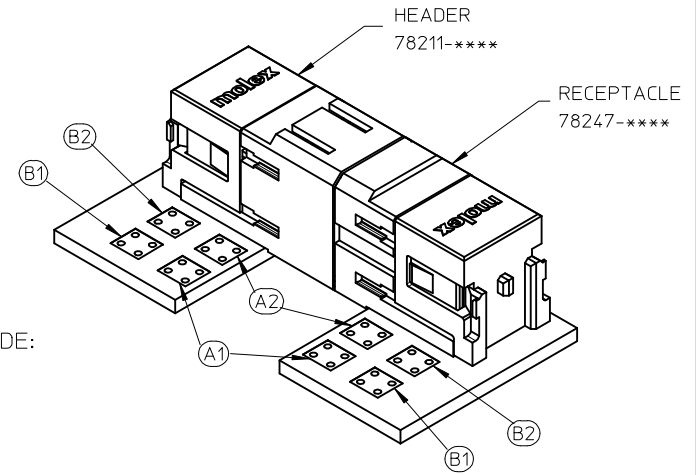
SEE SHEET 2 EC NO: S2014-0872 DRWN: SHONG CHKD: HICGOH APPR: SHILENI 2014/12/16 2015/04/07 2015/04/07	QUALITY SYMBOLS ▽=0 ◻=0	GENERAL TOLERANCES (UNLESS SPECIFIED) mm INCH 4 PLACES ± --- ± --- 3 PLACES ± --- ± --- 2 PLACES ± 0.25 ± --- 1 PLACE ± --- ± --- ANGULAR ± 3 °	DIMENSION STYLE MM ONLY DRAWN BY: KJKOH CHECKED BY: LNG APPROVED BY: SHONG MATERIAL NO.: SEE TABLE	SCALE: NTS DESIGN UNITS: METRIC THIRD ANGLE PROJECTION	DATE: 2008/09/25 DATE: 2008/10/29 DATE: 2008/10/29	TITLE: IMPACT POWER, 3 PAIR RIGHT ANGLE RECEPTACLE PRESS-FIT MOLEX INCORPORATED DOCUMENT NO.: SD-78247-001	SHEET NO.: 1 OF 3	
	DRAFT WHERE APPLICABLE MUST REMAIN WITHIN DIMENSIONS	SIZE: A3 THIS DRAWING CONTAINS INFORMATION THAT IS PROPRIETARY TO MOLEX INCORPORATED AND SHOULD NOT BE USED WITHOUT WRITTEN PERMISSION						
	REV: A4							



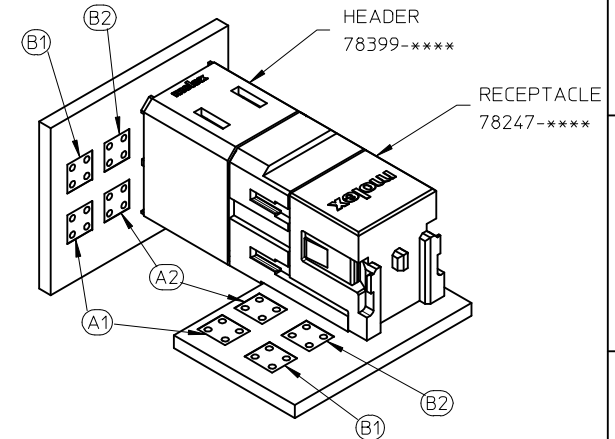
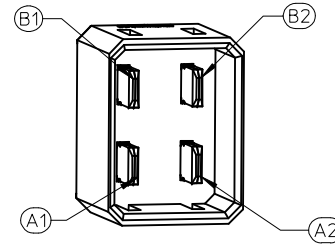
RIGHT ANGLE RECEPTACLE (78247) & RIGHT ANGLE HEADER (78211)



PIN NUMBER ASSIGNMENT BASED ON HEADER SIDE:
A1, B1 ON THE LEFT,
A2, B2 ON THE RIGHT.



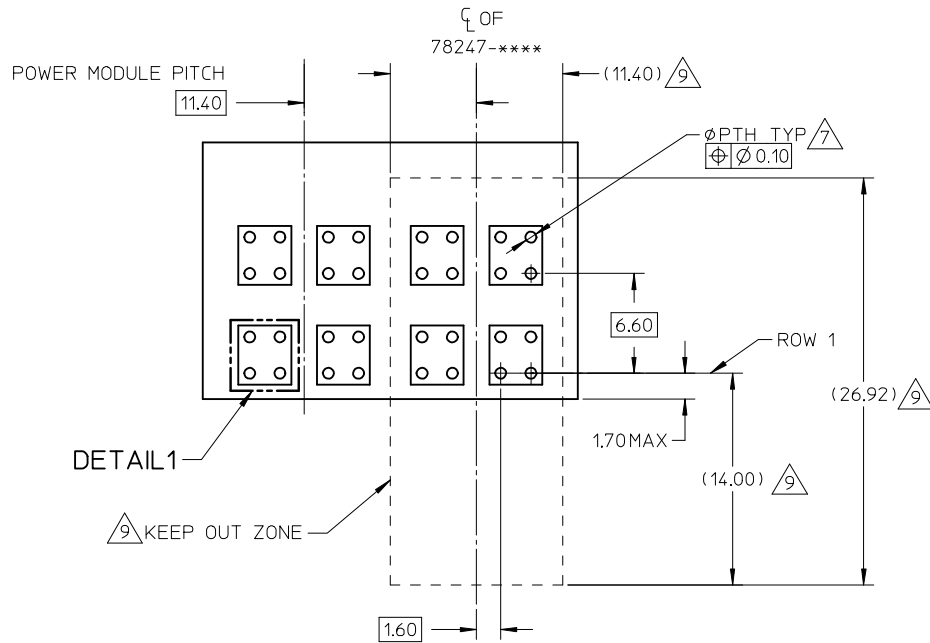
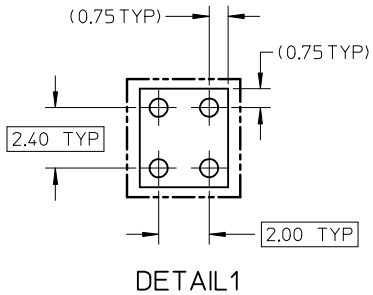
RIGHT ANGLE RECEPTACLE (78247) & VERTICAL HEADER (78399)



5 MATED SYSTEM OPTIONS WITH 78247

CIRCUIT PATH OF MATED SYSTEM

ADD VIEWS EC NO: S2014-0872 DRWN: SHONG 2014/12/16 CHKD: HICGOH 2015/04/07 APPR: SHLENI 2015/04/07	QUALITY SYMBOLS ▽=0 ◻=0	GENERAL TOLERANCES (UNLESS SPECIFIED)		DIMENSION STYLE MM ONLY		SCALE NTS	DESIGN UNITS METRIC	THIRD ANGLE PROJECTION		
				mm	INCH	DRAWN BY	DATE	TITLE		
			4 PLACES	± ---	± ---	KJKOH	2008/09/25	IMPACT POWER, 3 PAIR		
			3 PLACES	± ---	± ---	CHECKED BY	DATE	RIGHT ANGLE RECEPTACLE		
		2 PLACES	± 0.25	± ---	LNG	2008/10/29	PRESS-FIT			
		1 PLACE	± ---	± ---	APPROVED BY	DATE	MOLEX INCORPORATED			
		ANGULAR ± 3 °		MATERIAL NO.		DOCUMENT NO.		SHEET NO.		
		DRAFT WHERE APPLICABLE MUST REMAIN WITHIN DIMENSIONS		SEE TABLE		SD-78247-001		2 OF 3		
				SIZE		THIS DRAWING CONTAINS INFORMATION THAT IS PROPRIETARY TO MOLEX INCORPORATED AND SHOULD NOT BE USED WITHOUT WRITTEN PERMISSION				
A4	REV			A3						



RECOMMENDED PCB LAYOUT

(COMPONENT SIDE SHOWN)

MINIMUM BOARD THICKNESS: 1.60mm

SEE SHEET 2 EC NO: S2014-0872 DRWN: SHONG 2014/12/16 CHKD: HICGOH 2015/04/07 APPR: SILENI 2015/04/07	QUALITY SYMBOLS	GENERAL TOLERANCES (UNLESS SPECIFIED)	DIMENSION STYLE	SCALE	DESIGN UNITS	THIRD ANGLE PROJECTION
	▽=0 ⊕=0	mm INCH	MM ONLY	NTS	METRIC	
		4 PLACES ± --- ± ---	DRAWN BY DATE			TITLE
		3 PLACES ± --- ± ---	KJKOH 2008/09/25			IMPACT POWER, 3 PAIR RIGHT ANGLE RECEPTACLE PRESS-FIT
	2 PLACES ± 0.25 ± ---	CHECKED BY DATE				
	1 PLACE ± --- ± ---	LNG 2008/10/29				
	ANGULAR ± 3 °	APPROVED BY DATE				
		SHONG 2008/10/29				
		MATERIAL NO.				
		SEE TABLE				
		DRAFT WHERE APPLICABLE MUST REMAIN WITHIN DIMENSIONS				
		SIZE A3				
		THIS DRAWING CONTAINS INFORMATION THAT IS PROPRIETARY TO MOLEX INCORPORATED AND SHOULD NOT BE USED WITHOUT WRITTEN PERMISSION				