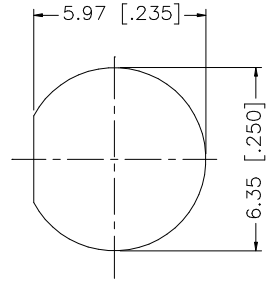
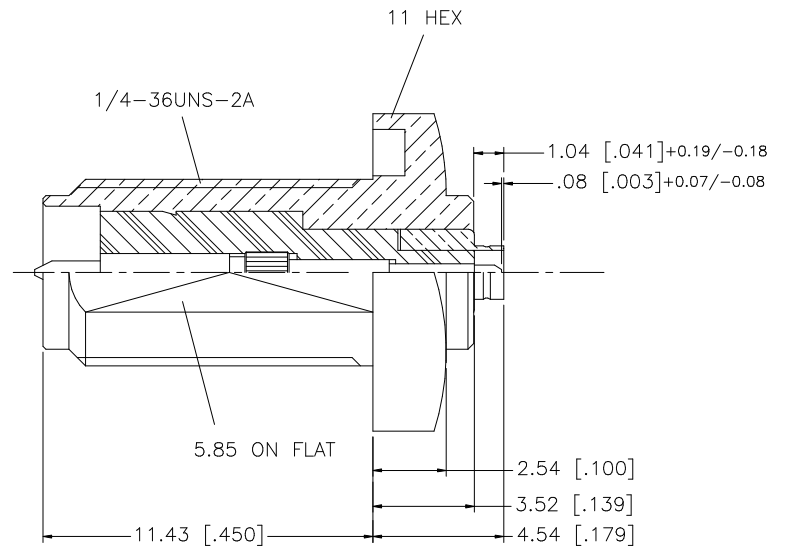
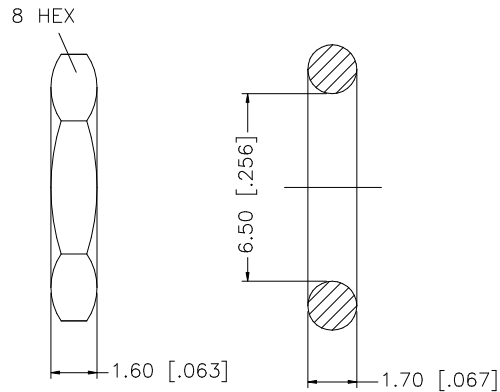
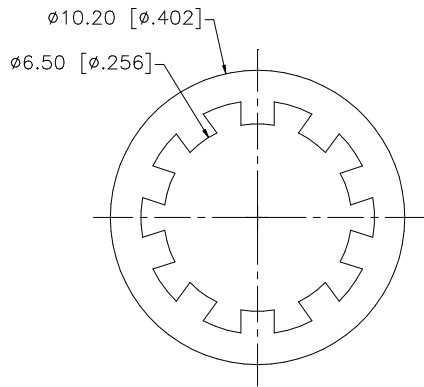


REV.	DATE	DESCRIPTION
NC	05/28/07	INITIAL RELEASE



RECOMMENDED MOUNTING HOLE



NOTE:

1. MAX. PANEL THICKNESS = 3.8mm

DESCRIPTION	MATERIAL	FINISH	QTY	UNLESS OTHERWISE SPECIFIED DIMENSIONS ARE IN MILLIMETERS. DIMENSIONS IN [ ] ARE IN INCHES AND FOR CUSTOMER REFERENCE ONLY.	APPROVALS	DATE	<h1 style="color: blue; margin: 0;">Amphenol Connex</h1>
8							
7							<b>PART NO.</b> 242201RP
6	HEX NUT	BRASS	GOLD	1			
5	LOCK WASHER	BRASS	GOLD	1			<b>REV.</b> NC <b>SIZE</b> A <b>SCALE</b> NA
4	GASKET	SILICONE	RED	1			
3	CONTACT PIN	BRASS	GOLD	1			
2	INSULATOR	TEFLON	NATURAL	1			
1	BODY	BRASS	GOLD	1			
				UNLESS OTHERWISE SPECIFIED TOLERANCES FOR MILLIMETERS ARE: 0.5 - 8mm ± 0.20mm 8 - 30mm ± 0.40mm 30 - 120mm ± 0.50mm UNLESS OTHERWISE SPECIFIED TOLERANCES FOR INCHES ARE: .020 - .315 = ± 0.007" .315 - 1.180 = ± 0.015" 1.180 - 4.724 = ± 0.020" DO NOT SCALE DRAWING	<b>DRAWN</b> G.R.S. <b>CHECKED</b> <b>ISSUED</b> <b>SHEET</b> 1 OF 1 <b>CAD FILE</b> C:/242/242201RP.DWG	05/28/07	