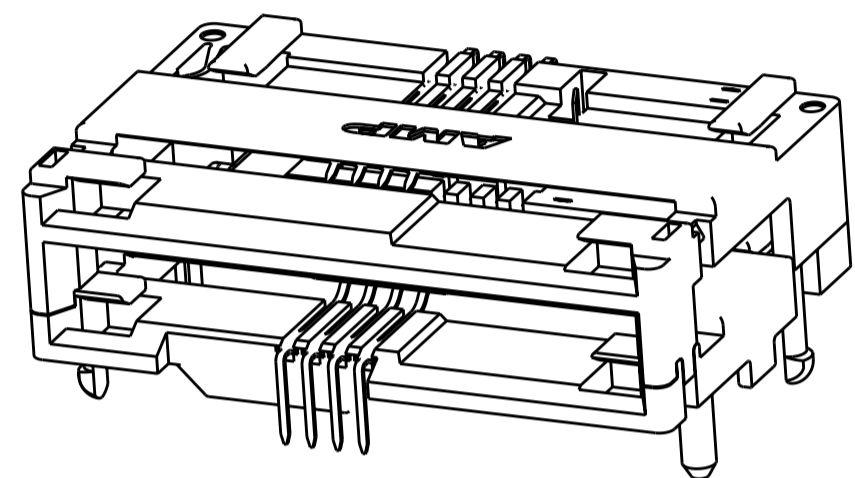
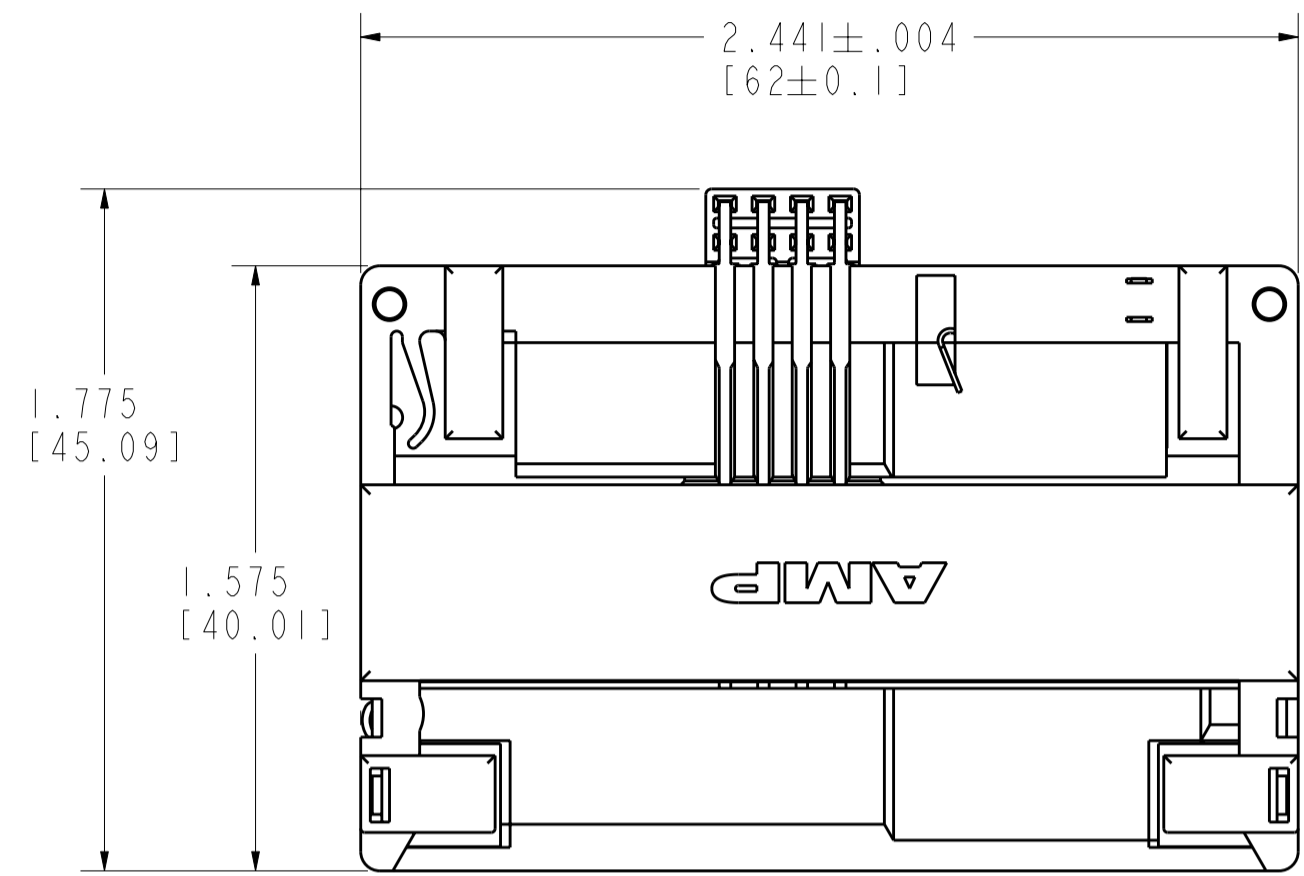
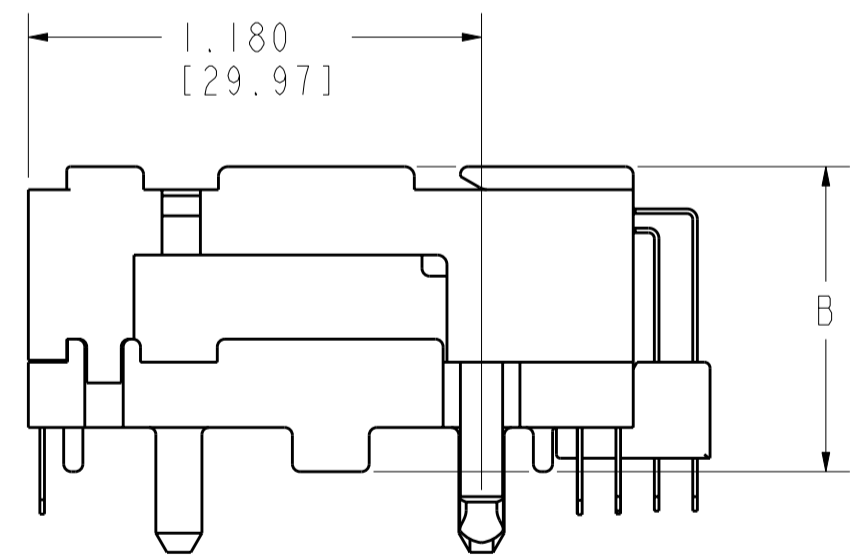
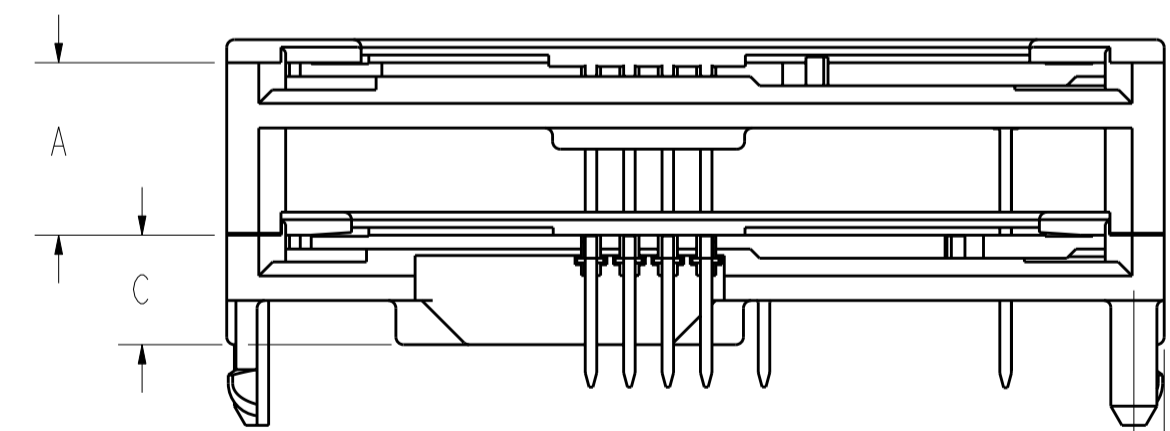


THIS DRAWING IS UNPUBLISHED. RELEASED FOR PUBLICATION 20
 © COPYRIGHT 2005 BY TYCO ELECTRONICS CORPORATION. ALL RIGHTS RESERVED.

LOC	DIST	REVISIONS					
GP	00	P	LTR	DESCRIPTION	DATE	DWN	APVD
		0		RELEASED PER OS13-0027-05	27NOV05	GP	JG
		01		REVISED PER ECO-09-025699	11DEC2009	KK	AEG



- 1 MATERIAL:
HOUSING - PBT, 30% GLASS FILLED, BLACK
CONTACT - PHOSPHOR BRONZE
- 2 CONTACT PLATING - GOLD IN MATING AREA
(SEE TABLE FOR THICKNESS), OVER 50
MICROINCHES NICKEL; 100 MICROINCHES
TIN ON SOLDER TAILS.
- 3. SWITCH STYLE - NORMALLY CLOSED.
- 4 OBSOLETE PARTS: OBSOLETE CIS STREAMLINING
PER D.RENAUD/D.SINISI



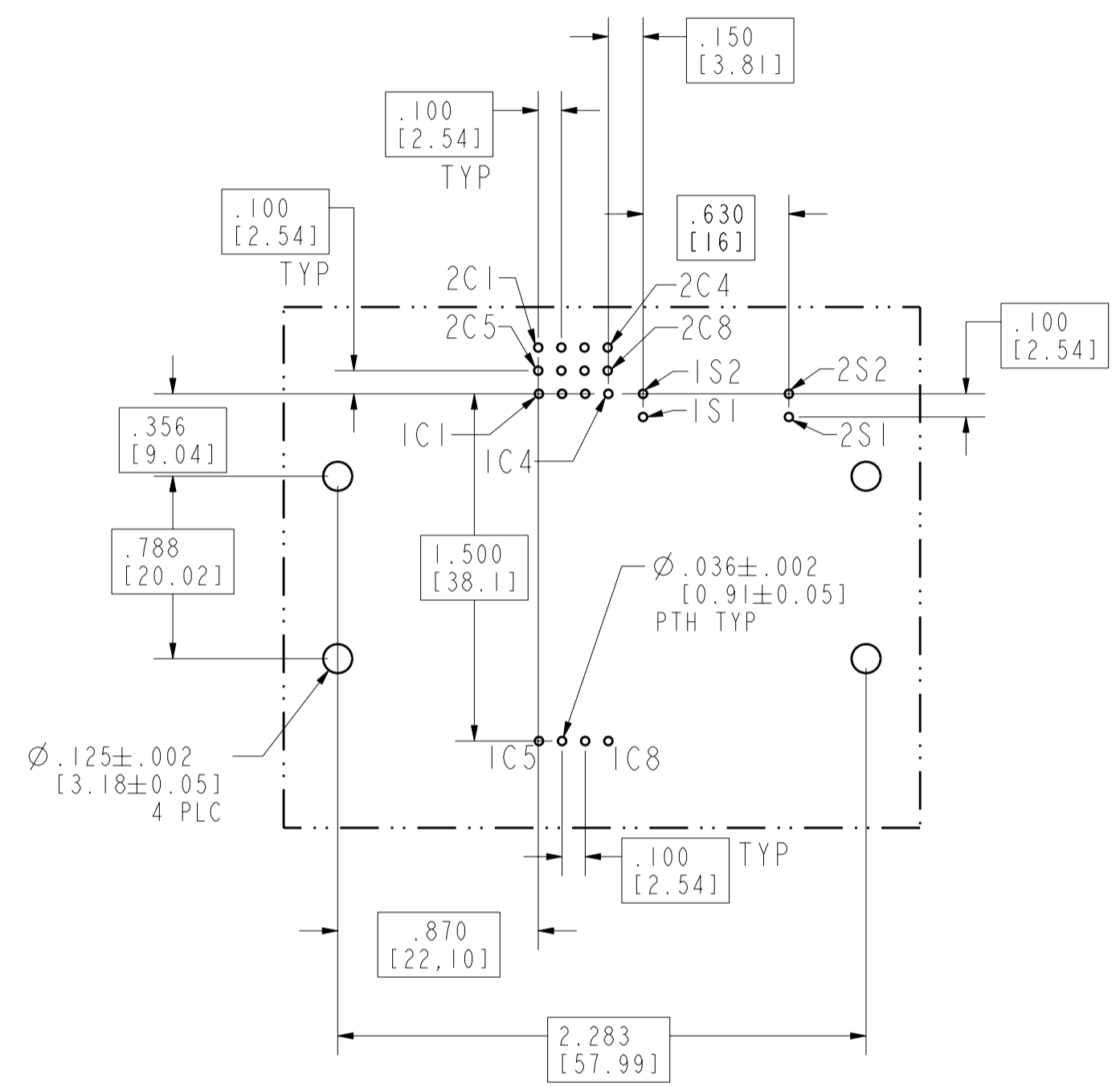
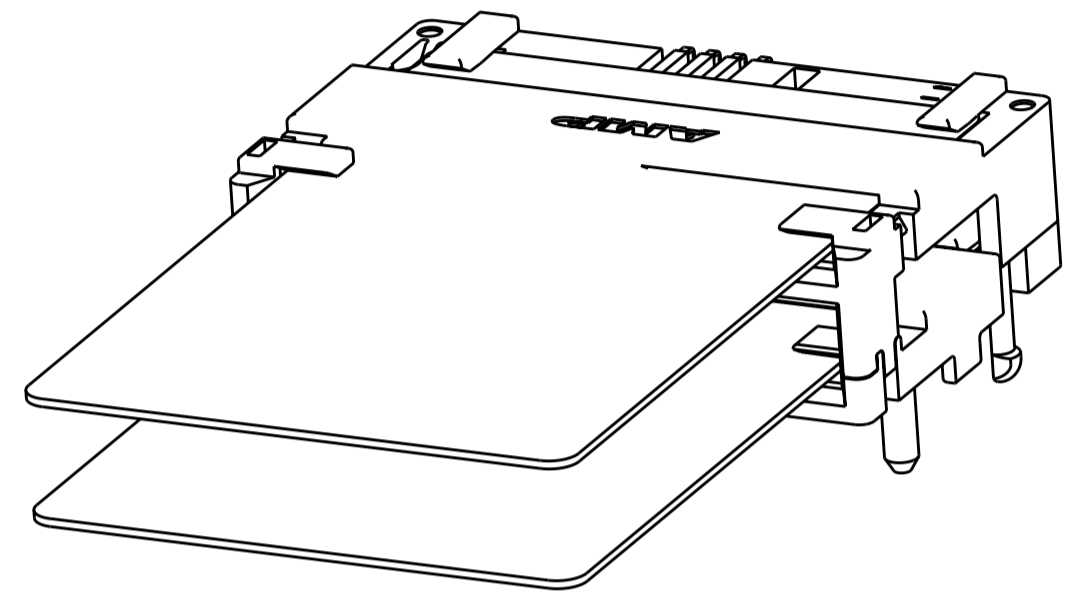
4 OBSOLETE	30 MICROINCHES	.285 [7.24]	.970 [24.64]	.625 [15.88]	6369097-3
	100 MICROINCHES	.285 [7.24]	.794 [20.17]	.449 [11.4]	6369097-2
	30 MICROINCHES	.285 [7.24]	.794 [20.17]	.449 [11.4]	6369097-1
	GOLD PLATING THICKNESS	C	B	A	PART NO.

THIS DRAWING IS A CONTROLLED DOCUMENT FOR TYCO ELECTRONICS CORPORATION IT IS SUBJECT TO CHANGE AND THE CONTROLLING ENGINEERING ORGANIZATION SHOULD BE CONTACTED FOR THE LATEST REVISION.		DWN G. PETERS 27NOV05	Tyco Electronics Corporation Harrisburg, PA 17105-3608	
DIMENSIONS: INCHES [mm]		CHK D. GORENC 27NOV05		
TOLERANCES UNLESS OTHERWISE SPECIFIED:		APVD M. WALMSLEY 27NOV05	NAME STACKED ASSEMBLY, SMART CARD READER	
0 PLC ± 1 PLC ± 2 PLC ± 3 PLC ±.005 4 PLC ± ANGLES ± FINISH		PRODUCT SPEC -	SIZE A2	
MATERIAL		APPLICATION SPEC -	CAGE CODE 00779	DRAWING NO 6369097
1		WEIGHT -	RESTRICTED TO -	
2		CUSTOMER DRAWING		
		SCALE 2:1	SHEET 1	OF 2
		REV 01		

WAS T&B 1406295-SALE

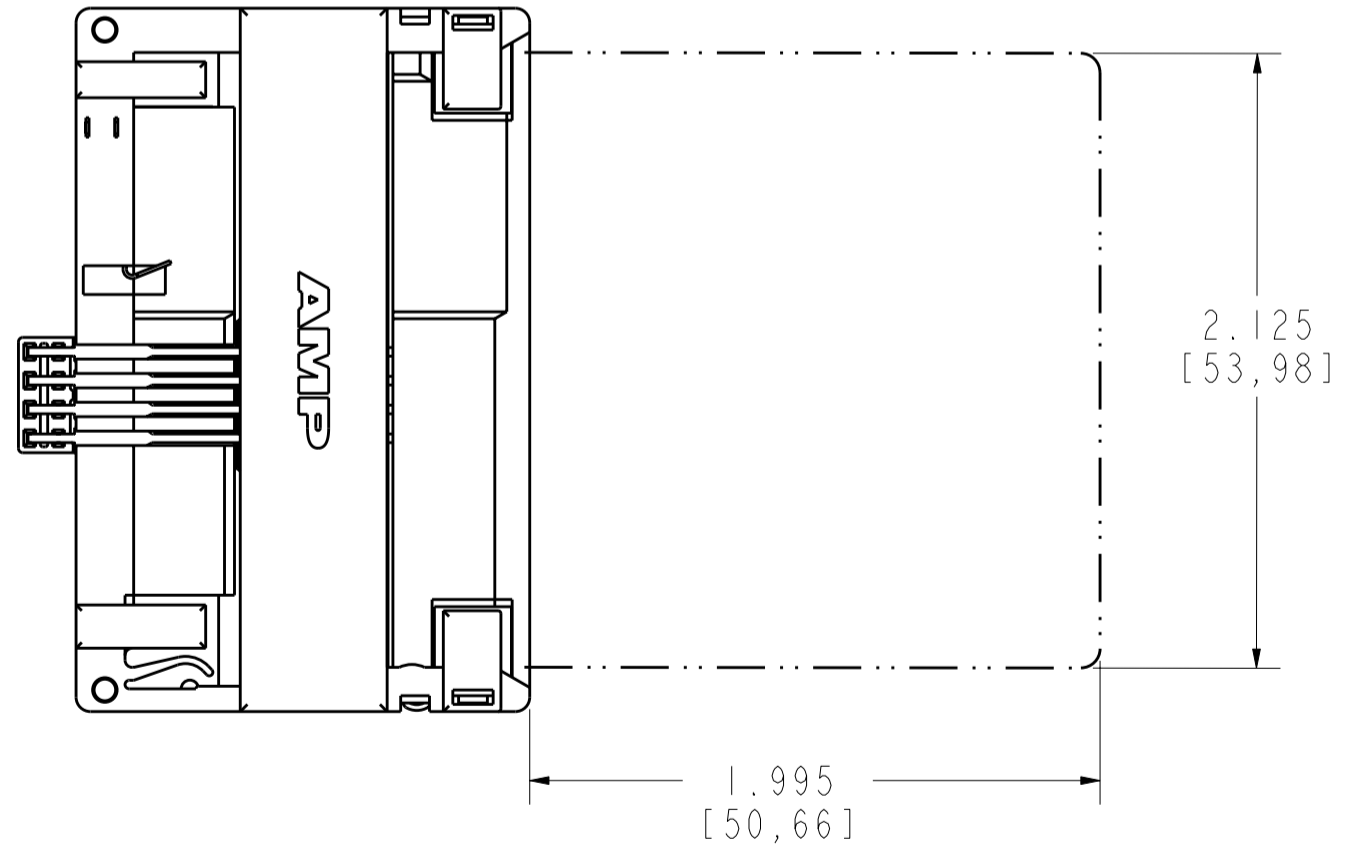
THIS DRAWING IS UNPUBLISHED. RELEASED FOR PUBLICATION 20
 © COPYRIGHT 2005 BY TYCO ELECTRONICS CORPORATION. ALL RIGHTS RESERVED.

LOC	DIST	REVISIONS					
GP	00	P	LTR	DESCRIPTION	DATE	DWN	APVD
		-		SEE SHEET 1			



RECOMMENDED PCB LAYOUT (.062 THICK),
 COMPONENT SIDE

POSITION TOLERANCE ON ALL HOLES: $\text{⊕} \text{⊙} .006 [0.15]$



SMART CARDS SHOWN FULLY INSERTED.
 DIMENSIONS ARE IN ACCORDANCE WITH
 ISO 7810 - 7816 (0.030" THICKNESS).

<small>THIS DRAWING IS A CONTROLLED DOCUMENT FOR TYCO ELECTRONICS CORPORATION IT IS SUBJECT TO CHANGE AND THE CONTROLLING ENGINEERING ORGANIZATION SHOULD BE CONTACTED FOR THE LATEST REVISION.</small>		DWN G. PETERS 27NOV05 CHK D. GORENC 27NOV05 APVD M. WALMSLEY 27NOV05	Tyco Electronics Corporation Harrisburg, PA 17105-3608	
DIMENSIONS: INCHES [mm]	TOLERANCES UNLESS OTHERWISE SPECIFIED: 0 PLC ± 1 PLC ± 2 PLC ± 3 PLC ±.005 4 PLC ± ANGLES ± FINISH	PRODUCT SPEC APPLICATION SPEC WEIGHT	NAME STACKED ASSEMBLY, SMART CARD READER	SIZE A2
MATERIAL		CUSTOMER DRAWING	DRAWING NO C-6369097	RESTRICTED TO -
SCALE 2:1			SHEET 2 OF 2	REV 01