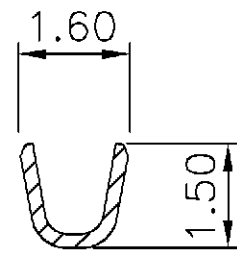
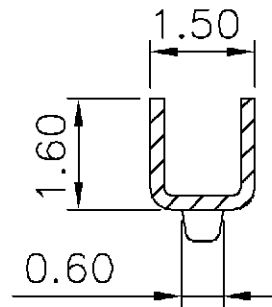


SEC: A-A



SEC: B-B



SEC: C-C

NOTE:

- MATERIAL :
TERMINAL : PHOSPHOR BRONZE, T=0.20mm.
- FINISH:
TERMINAL : 60u" MIN TIN PLATED ON CONTACT AREA.
20u" MIN. NICKEL UNDERPLATED OVER ALL.
- QUALIFICATION TEST REPORT: 501-57218.

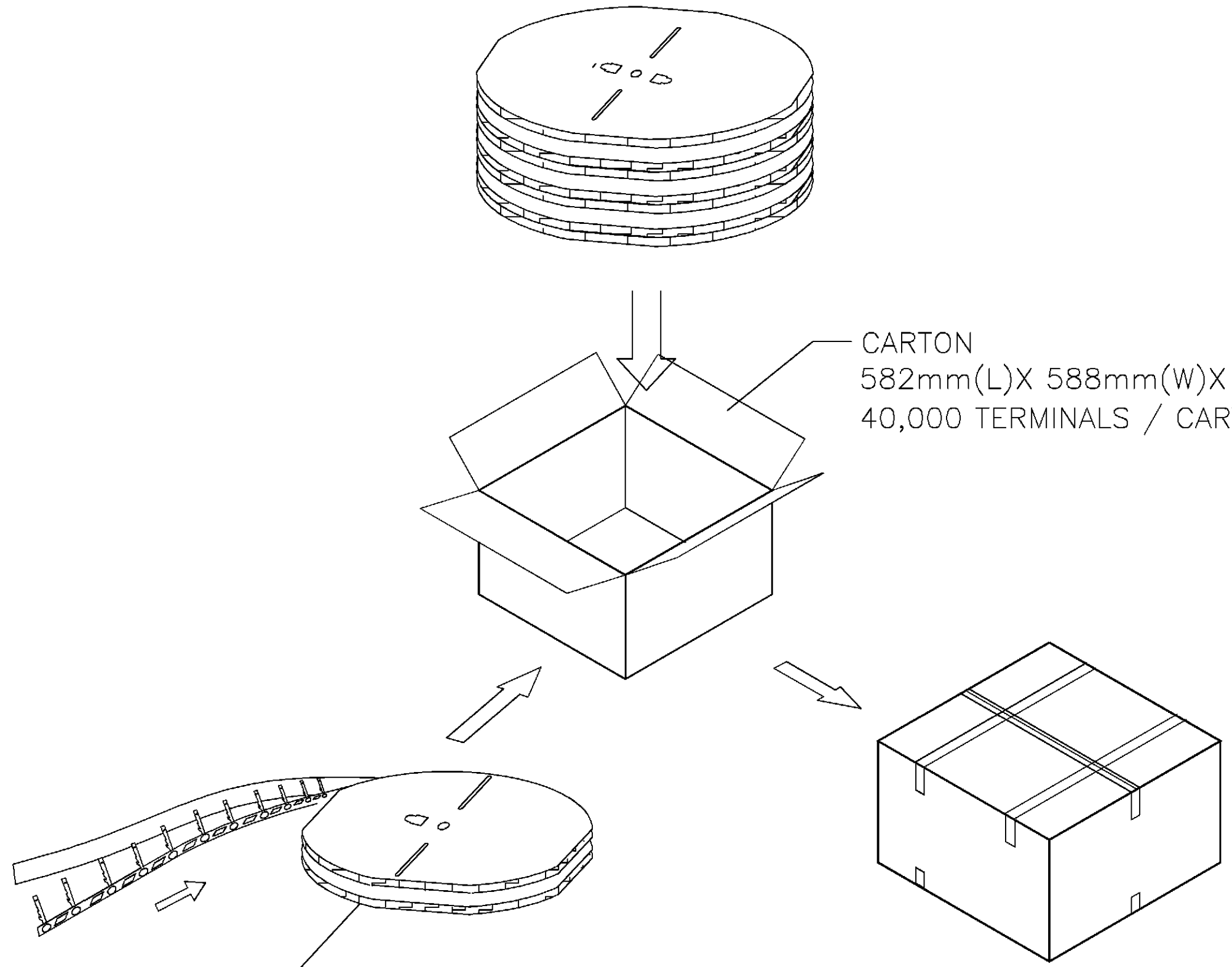
1470106-1
PART NUMBER

| PRINT DIST | DATE | DESCRIPTION | BY | CHK | DATE |
|------------|------------|-----------------|-----|-----|------|
| A | 18AUG 2003 | REVISED | OH | AW | |
| O | 06MAR 2002 | FIRST RELEASED | OH | JC | |
| LTR | | REVISION RECORD | DWN | CHK | |

| | | | | |
|---|-------------------------------|---------------------------|--|----------------------------|
| DIMENSION : 0 PLC ± 1 PLC ±0.30 2 PLC ±0.20 3 PLC ±0.10 ANGLES ± | DWN O. HU 12-AUG-2003 | | TYCO HOLDINGS (BERMUDA) VII LTD. TAIWAN BRANCH | |
| MATERIAL SEE NOTE | CHK A. WU 12-AUG-2003 | | NAME | |
| FINISH SEE NOTE | APVD J. CHENG 12-AUG-2003 | PRODUCT SPEC 108-57217 | | 2.0 MM PITCH CRIMP CONTACT |
| | APPLICATION SPEC 114-57D13 | LOC DW | SIZE A ₃ | DRAWING NO C-1470106 |
| | WEIGHT | SCALE | SHEET 1 OF 2 | |

THIS INFORMATION IS CONFIDENTIAL AND IS DISCLOSED TO YOU ON CONDITION THAT NO FURTHER DISCLOSURE IS MADE BY YOU TO OTHER THAN AMP PERSONNEL WITHOUT WRITTEN AUTHORIZATION FROM AMP (TAIWAN) LTD. DIMENSIONS IN MILLIMETERS. DO NOT SCALE PRINT.

PRINT DIST DW



CARTON
 582mm(L)X 588mm(W)X 112mm(H)
 40,000 TERMINALS / CARTON

REEL
 DIAMETER: $\phi 580$ mm.
 10,000 TERMINALS / REEL

| | | | | |
|-----|-----------------|-----|-----|------|
| | SEE SHEET 1. | | | |
| LTR | REVISION RECORD | ECN | DWN | CHK |
| | | | | DATE |

| | | | | |
|-------------|--------------|------------------|-------------|--|
| DIMENSION : | 0 PLC \pm | DWN | O. HU | TYCO HOLDINGS (BERMUDA) VII LTD. TAIWAN BRANCH |
| | 1 PLC \pm | 12-AUG-2003 | A. WU | |
| MATERIAL | 2 PLC \pm | 12-AUG-2003 | J. CHENG | NAME 2.0 MM PITCH CRIMP CONTACT |
| | 3 PLC \pm | 12-AUG-2003 | 12-AUG-2003 | |
| FINISH | ANGLES \pm | APVD | 12-AUG-2003 | LOC DW |
| | SEE NOTE | PRODUCT SPEC | | |
| SEE NOTE | SEE NOTE | APPLICATION SPEC | | SIZE A₃ |
| | SEE NOTE | WEIGHT | | DRAWING NO C-1470106 |
| | | | | REV A |
| | | | | SCALE --- |
| | | | | SHEET 2 OF 2 |