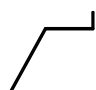
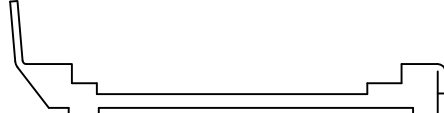
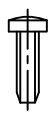
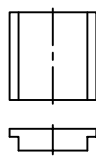


used for: D-SUB

 1 x SPRING	 1 x SLIDE LOCK
 2 x SCREW	 1 x BLIND PLUG

Directive 2002/95/EC RoHS compliant

APPROVAL # FREIGABE # DEBLOCAGE # AUTORIZACION # APPROVAL	
CUSTOMER APPROVAL DATE:	
NAME:	TITLE:
COMPANY NAME:	
APPROVAL # FREIGABE # DEBLOCAGE # AUTORIZACION # APPROVAL	

- (b) MATERIAL:
- HOOD: ABS UL 94 V-0; METALLIZED
 - SPRING: STEEL; TIN PLATED
 - SLIDE LOCK: STEEL; NICKEL PLATED
 - SCREWS: STEEL; NICKEL PLATED
 - BLIND PLUG: ABS UL 94 V-0; METALLIZED

THIS DRAWING MAY NOT BE COPIED OR REPRODUCED IN ANY WAY, AND MAY NOT BE PASSED ON TO A THIRD PARTY WITHOUT WRITTEN PERMISSION. OWNERSHIP AND COPYRIGHT OF CONEC GmbH DO NOT ALTER CAD DRAWING BY HAND

tolerance		dim. in mm	
2005	date	name	
drawn	24.06.	Lehmenkühler	
appd.	24.06.	Fischer	
norm			
d-old			
2 x c	Ä 2620	05.12.2006	ES
2 x b	Ä 2290	05.08.2005	Lehmen.
rev.	description	date	name



scale:	1:1	
material:	SEE NOTES	
title:	PLASTIC HOOD 37pos. (b) with slide lock and spring	
dwg no:	AutoCAD 2004	DIN-A
	16K1A1434	4
part no:	165X11389X	
		sh: 1/1