

THIS DRAWING IS UNPUBLISHED. RELEASED FOR PUBLICATION
 © COPYRIGHT BY TYCO ELECTRONICS CORPORATION. ALL RIGHTS RESERVED.

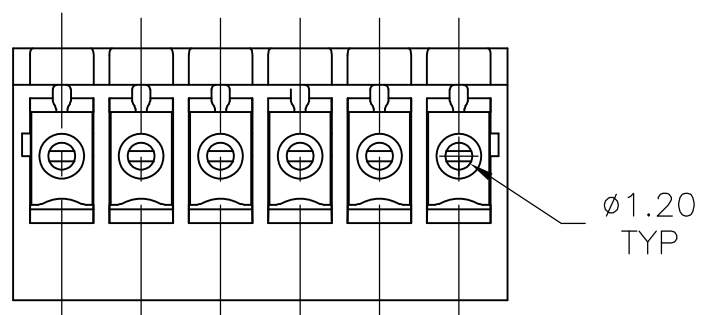
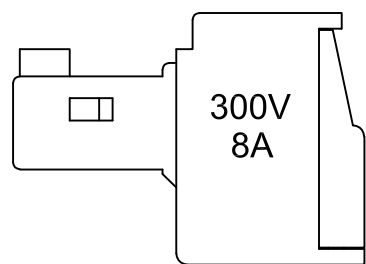
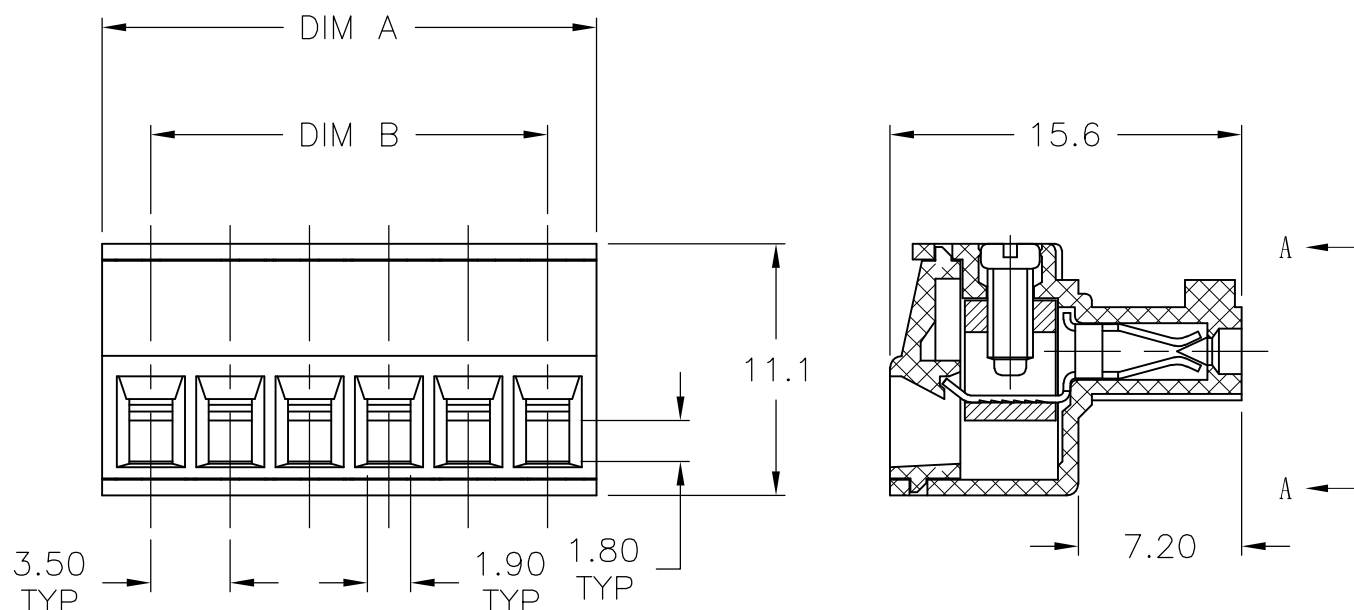
LOC FT	DIST 0	REVISIONS			
P	LTR	DESCRIPTION	DATE	DWN	APVD
	A	REVISED PER ECO-08-002157	1/25/08	SS	CR

MATERIALS:
 HOUSING: PA66, UL94V-0, BLACK
 CAGE: BRASS, NICKEL PLATED
 CLAMP: PHOS BRONZE, NICKEL PLATED
 SCREW: STEEL, ZIINC PLATED

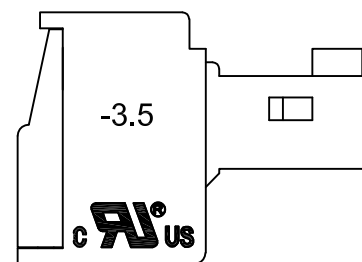
ELECTRICAL:
 CURRENT RATING: 8A
 VOLTAGE RATING: 300V
 INSULATION RESISTANCE: 5000Mohm/DC1000V
 WITHSTANDING VOLTAGE: AC2000V/1 MIN
 WIRE RANGE: 16-28 AWG

MECHANICAL:
 MAXIMUM SCREW TORQUE: 2.04 kgf.cm
 OPERATING TEMP.: -40°C TO 105°C

⚠ PRELIMINARY PART NUMBER.



VIEW-A



	52.50±0.30	56.80±0.30	16	1-1986008-6
⚠	38.50±0.30	42.80±0.30	12	1-1986008-2
⚠	35.00±0.30	39.30±0.30	11	1-1986008-1
⚠	31.50±0.30	35.80±0.30	10	1-1986008-0
⚠	28.00±0.30	32.30±0.30	9	1986008-9
⚠	24.50±0.30	28.80±0.20	8	1986008-8
⚠	14.00±0.25	18.30±0.20	5	1986008-5
⚠	10.50±0.25	14.80±0.20	4	1986008-4
⚠	7.00±0.15	11.30±0.20	3	1986008-3
⚠	3.50±0.10	7.80±0.20	2	1986008-2
	DIM B	DIM A	NO OF POS	PART NUMBER

THIS DRAWING IS A CONTROLLED DOCUMENT.		DWN S SCHLEGEL 4/2/07	Tyco Electronics Corporation Harrisburg, PA 17105-3608		
DIMENSIONS: mm		CHK C RICHARD 4/2/07			
TOLERANCES UNLESS OTHERWISE SPECIFIED:		APVD C RICHARD 4/2/07	NAME TERMINAL BLOCK, R/A PLUG, 3.50mm PITCH		
0 PLC ± - 1 PLC ± 0.2 2 PLC ± 0.10 3 PLC ± - 4 PLC ± - ANGLES ± 1°		PRODUCT SPEC -	APPLICATION SPEC -		
MATERIAL -	FINISH -	WEIGHT -	SIZE A3	CAGE CODE 00779	DRAWING NO C-1986008
CUSTOMER DRAWING			SCALE NTS	SHEET 1 OF 1	REV A