

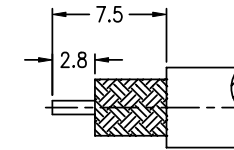
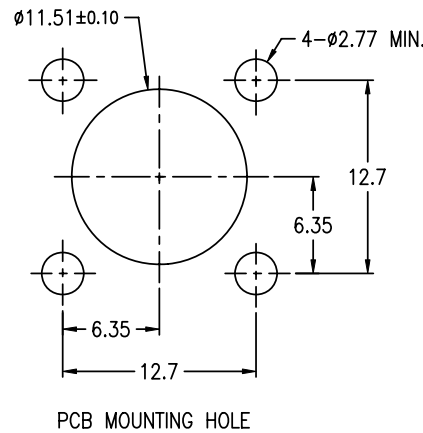
NOTES:

1. MATERIALS AND FINISHES
 BODY - BRASS, NICKEL PLATING
 CONTACT - BERYLLIUM COPPER, SILVER PLATING
 INSULATOR - PTFE
2. ELECTRICAL:
 A. IMPEDANCE: 50 OHM
 B. FREQUENCY RANGE: DC-4 GHz
 C. DIELECTRIC WITHSTANDING VOLTAGE: 1500 VRMS, MIN.
3. MECHANICAL:
 A. DURABILITY: 500 CYCLES MIN.
 B. TEMPERATURE RANGE: - 60°C to +165°C
4. THIS CONNECTOR IS USED WITH RG-558/U, RG-58C/U, OR RG-223/U CABLES.
5. ASSEMBLY INSTRUCTIONS:
 A. PLACE NUT, WASHER AND GASKET (WITH 'V' GROOVE TOWARD OPEN END OF CABLE) OVER CABLE
 B. TRIM TO RECOMMENDED STRIPPING DIMENSIONS
 C. PULL BRAID WIRES FORWARD AND TAPER TOWARD CENTER CONDUCTOR
 PLACE CLAMP OVER BRAID AND PUSH BACK AGAINST CABLE JACKET
 D. FOLD BACK BRAID WIRES. CRIMP OR SOLDER ON CONTACT.
 E. INSERT CABLE AND PARTS TO CONNECTOR BODY. MAKE SURE SHARP EDGE OF CLAMP SEATS PROPERLY IN GASKET. TIGHTEN NUT

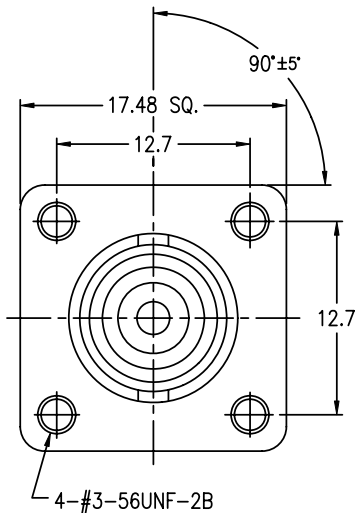
THIRD ANGLE PROJ.

REVISIONS

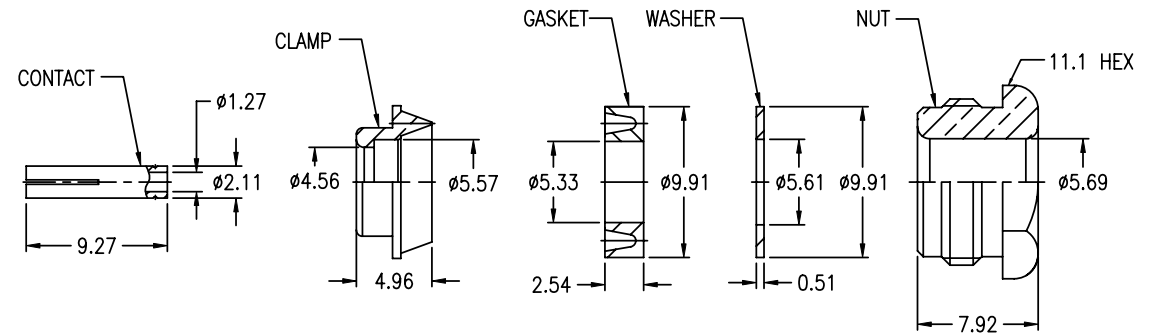
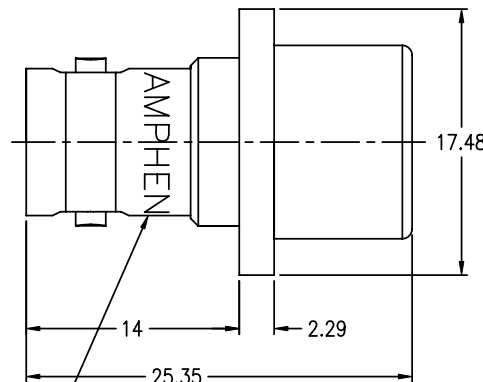
REV	DESCRIPTION	DATE	ECO	APPR
H	REDRAWN TO UPDATE FORMAT\RD-DM09071601J1	14-Aug-09	47208	SH
J	STAMP "AMPHENOL" WAS "74868"\RD-DM11120601R3	26-Dec-11	48844	SH



RECOMMENDED CABLE STRIPPING DIM'S



"AMPHENOL UG-291C/U"



CUSTOMER OUTLINE DRAWING

ALL OTHER SHEETS ARE FOR INTERNAL USE ONLY

UNLESS OTHERWISE SPECIFIED, DIMENSIONS ARE IN METRIC AND TOLERANCES ARE:
 0.5 - 6mm ±0.1mm 6 - 30mm ±0.2mm 30 - 120mm ±0.3mm ANGLES ±1°

NOTICE - These drawings, specifications, or other data (1) are, and remain the property of Amphenol Corp. (2) must be returned upon request; and (3) are confidential and not to be disclosed to any person other than those to whom they are given by Amphenol Corp. The furnishing of these drawings, specifications, or other data by Amphenol Corp., or to any other person to anyone for any purpose is not to be regarded by implication or otherwise in any manner licensing, granting rights or permitting such holder or any other person to manufacture, use or sell any product, process or design, patented or otherwise, that may in any way be related to or disclosed by said drawings, specifications, or other data.

MATERIAL	DRAWN	DATE	TITLE			Amphenol RF Danbury CT USA, Tainan Taiwan, Shenzhen China www.amphenolrf.com		
	R.MAO	12-Dec-11						
REFERENCE	ENGINEER	DATE	BNC PANEL JACK (TYPE UG-291C/U)			DRAWING NO. 31-2201		
	S.HSIEH	26-Aug-05						
FINISH	APPROVED	DATE	SCALE: 2/1	SHEET 2 OF 2		ITEM NO. 31-2201		
	S.HSIEH	12-Dec-11	DWG SIZE	CODE ID	REV			
	F:\DWG\CNPD\31\2201-JSZ	B	74868	J				
						PART NO. 31-2201		