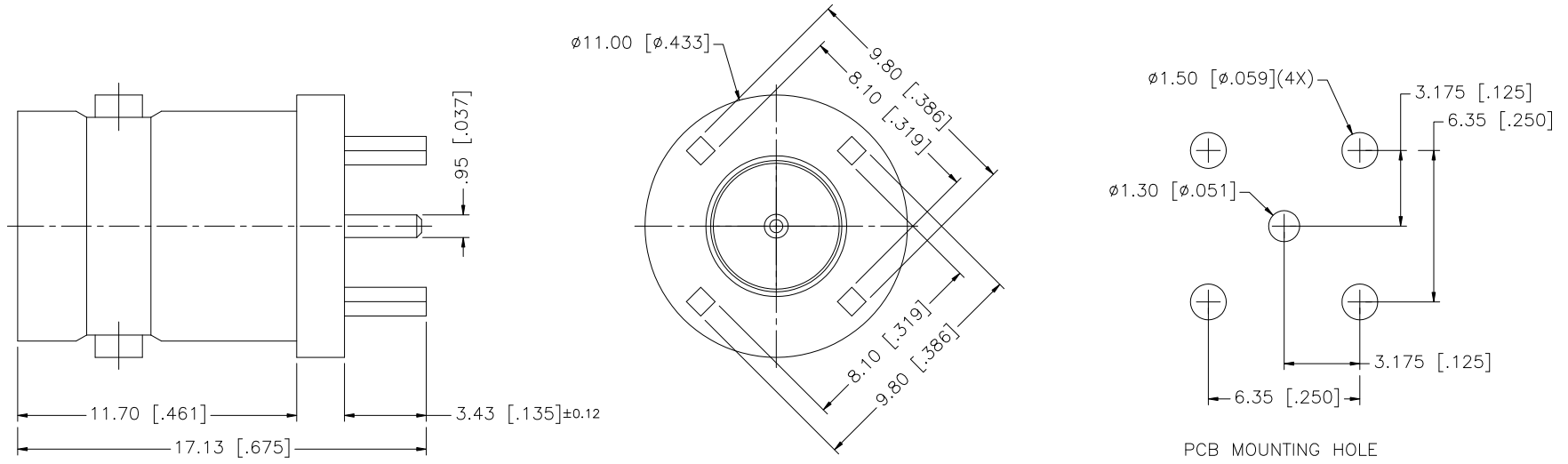


REV.	DATE	ECR NO.	DESCRIPTION
NC	05/25/08	-	INITIAL RELEASE



QTY	DESCRIPTION	MATERIAL	FINISH
4	LOCK RING	BRASS	NICKEL
3	CONTACT PIN	PHOS. BRONZE	GOLD
2	INSULATOR	PTFE	NATURAL
1	BODY	BRASS	NICKEL

UNLESS OTHERWISE SPECIFIED DIMENSIONS ARE IN MILLIMETERS. DIMENSIONS IN [] ARE IN INCHES AND FOR CUSTOMER REFERENCE ONLY.

UNLESS OTHERWISE SPECIFIED TOLERANCES FOR MILLIMETERS ARE:
0.5 - 8mm ± 0.20mm
8 - 30mm ± 0.40mm
30 - 120mm ± 0.50mm

UNLESS OTHERWISE SPECIFIED TOLERANCES FOR INCHES ARE:
.020 - .315 = ± 0.007"
.315 - 1.180 = ± 0.015"
1.180 - 4.724 = ± 0.020"

DO NOT SCALE DRAWING

APPROVALS	DATE
DRAWN G.R.S.	05/25/08
CHECKED	
ISSUED	
SHEET 1 OF 1	
CAD FILE	C:/112/112405-12.DWG

PART DESCRIPTION			
Amphenol Connex			
BNC P.C. MOUNT RECEPT. JACK (.135" LEGS)			
PART NO. 112405-12			
DWG. NO.	112405-12.DWG	REV.	NC
SIZE	A	SCALE	NA